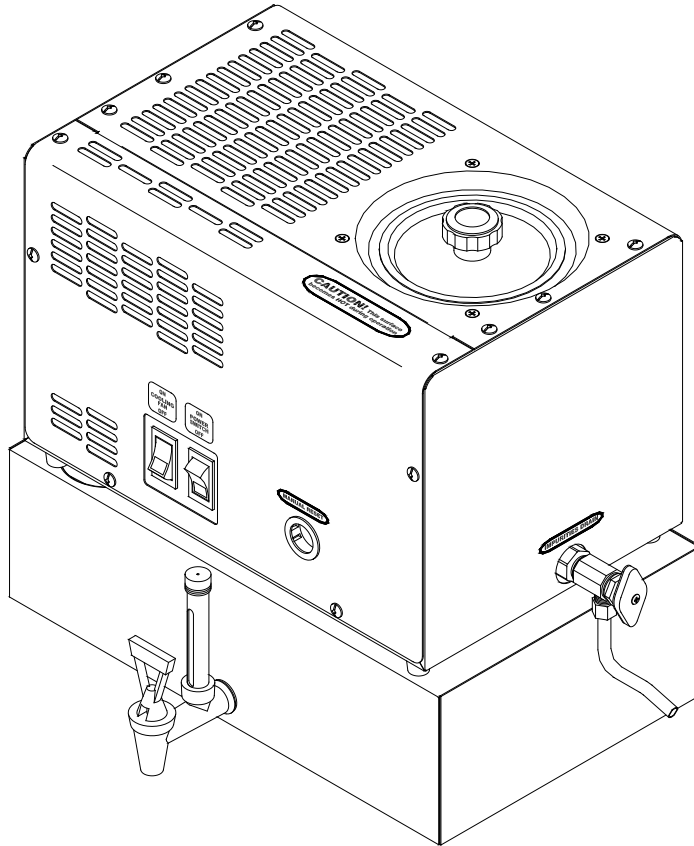




REPLACEMENT PARTS MANUAL

FOR MODEL: PWS 5-3(120VAC) & PWS 5-3(240VAC)

PART #	500028	500029
SERIES	0016	0016



PRECISION WATER SYSTEMS WATER DISTILLER

MANUFACTURED BY:

PRECISION DESIGN & MANUFACTURING INC.

10331-105TH STREET

WESTLOCK, ALBERTA, CANADA, T7P 2H7

email: info@precisioncanada.com

PHONE (780) 349-4933 FAX (780)349-4957

TABLE of CONTENTS

	<u>Page</u>
1. 094181 Holding Tank Assembly, 5-3 Automatic	4 & 5
2. 094182 Boiler Assembly, 5GPD Automatic	6 & 7
3. 094183 Distiller Body Assembly. 5GPD Automatic	8 & 9
4. 094184 5GPD Solenoid Valve Assembly	10 & 11
5. 094185 Distiller Head Assembly, 5GPD Automatic	12 & 13
6. 094186 Boiling Tank & Holding Tank Lids Assemblies, 5-3	14 & 15
7. 094109 Electrical Terminals	16 & 17
8. 500345 Wiring Schematic	18 & 19

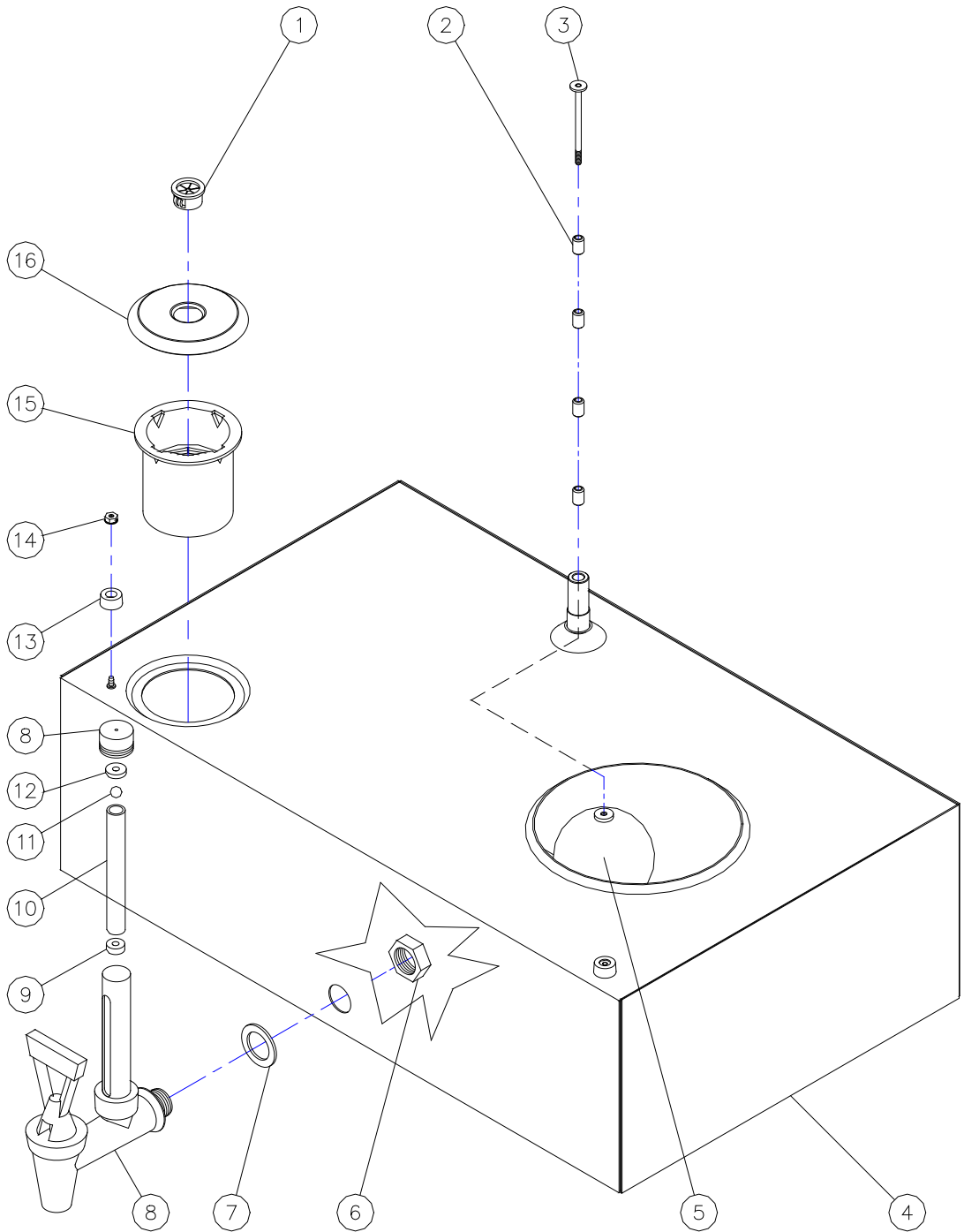
094182, Exploded Parts List

Boiler Assembly, 5GPD Automatic

Item #	Part #	Description	Qty
1	054005	Bushing, Wire Plastic, 5/8" Hole	1
2	080127	Bushing, Teflon, 1/4" X 1/8"	4
3	500353	Float Rod, WA, HT, 5-3	1
4	500481	Holding Tank, WA, 5-3	1
5	080162	Float Ball, SS, 2.25" RD 6-32	1
6	080132	Nut, Jam, 3/8", Black	1
7	080148	Gasket, Washer, 1/16", Silicone	1
8	080078	Valve, H.T. 4", Sight Gauge WITHOUT Tube (includes nut & washer)	1
9	080448	Washer, Lower Shield, Valve 4" & 6" & 7.5" & 13", Holding T.	1
10	080449	Sight Gauge Tube, Acrylic, 4"	1
11	080217	Ball, Red, Level Indicator	1
12	080447	Washer, Upper Shield, Valve 4" & 6" & 7.5" & 13", Holding T.	1
13	054016	Foot, 1/2" X 1/4", Rubber, Black	2
14	026003	Nut, kep, Plated, #4-40	2
15	410054	FILTER CUP, CHARCOAL, DOLPHIN	1
16	500476	Washer, HT, 2.75" x 0.625", EAU	1

094181, Exploded Parts List

Holding Tank Assembly, PWS, 5-3 Automatic

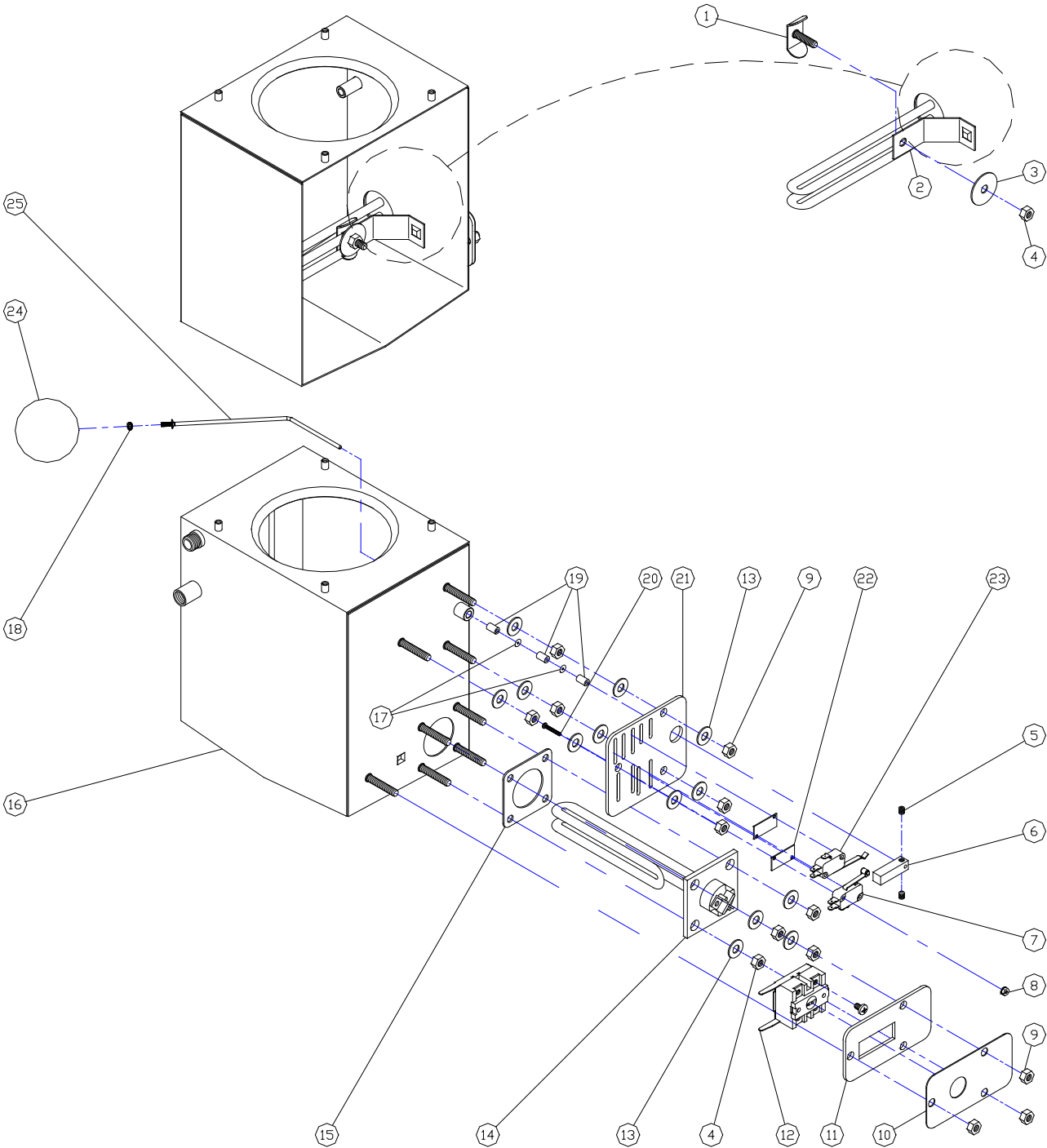


094182, Exploded Parts List Boiler Assembly, 5GPD Automatic

Item #	Part #	Description	Qty
1	500182	Clip, Heater, Studded	1
2	500132	Bracket, Heater, Part of Item# 16 500340	1
3	018009	Washer, Flat, 5/16"ID x 1-1/4"OD, 18ga., SS	1
4	025000	Nut,Hex,SS,1/4-20	5
5	016035	Set Scw,SS,10-32x0.25,Cup Pt.	2
6	530333	Bar,Activator,Boiler Float #10-32	1
7	060058	Microswitch,Short Arm Roller	1
8	026003	Nut,Kep,Pltd,#4-40	4
9	025002	Nut,Hex,Pltd,1/4-20	9
10	500153	Cover, Reset, SS	1
11	500408	Plate Reset, 66-TM,Lexan	1
12	060104	Switch,THERM,Man.Reset,DPST,RT	1
13	018004	Washer, Flat, 5/16"ID x 11/16"OD, 20ga. SS	13
14	060094	Heating Element, 125V, 800W	1
	060034	Heating Element, 220V, 800W	1
15	500100	Gasket, Heater	1
16	500340	Boiler WA, 5-3	1
17	080128	O-Ring,Viton,1/16x1/8x1/4	2
18	020002	Washer,Lock,SS,M3.5,ext over locking tooth	1
19	080127	Bushing, Teflon, 1/4" X 1/8"	3
20	012003	Scw,Mach,Pltd,4-40x3/4",Rnd/Sk	4
21	500266	Plate,Microswitch,Lexan	1
22	500289	Shim, Micro Switch	2
23	060059	Microswitch, Long Arm, Formed	1
24	080162	Float Ball, SS, 2.25" RD 6-32	1
25	500398	Rod WA, Boiler Float, Auto	1

094182, Exploded Parts List

Boiler Assembly, 5GPD Automatic

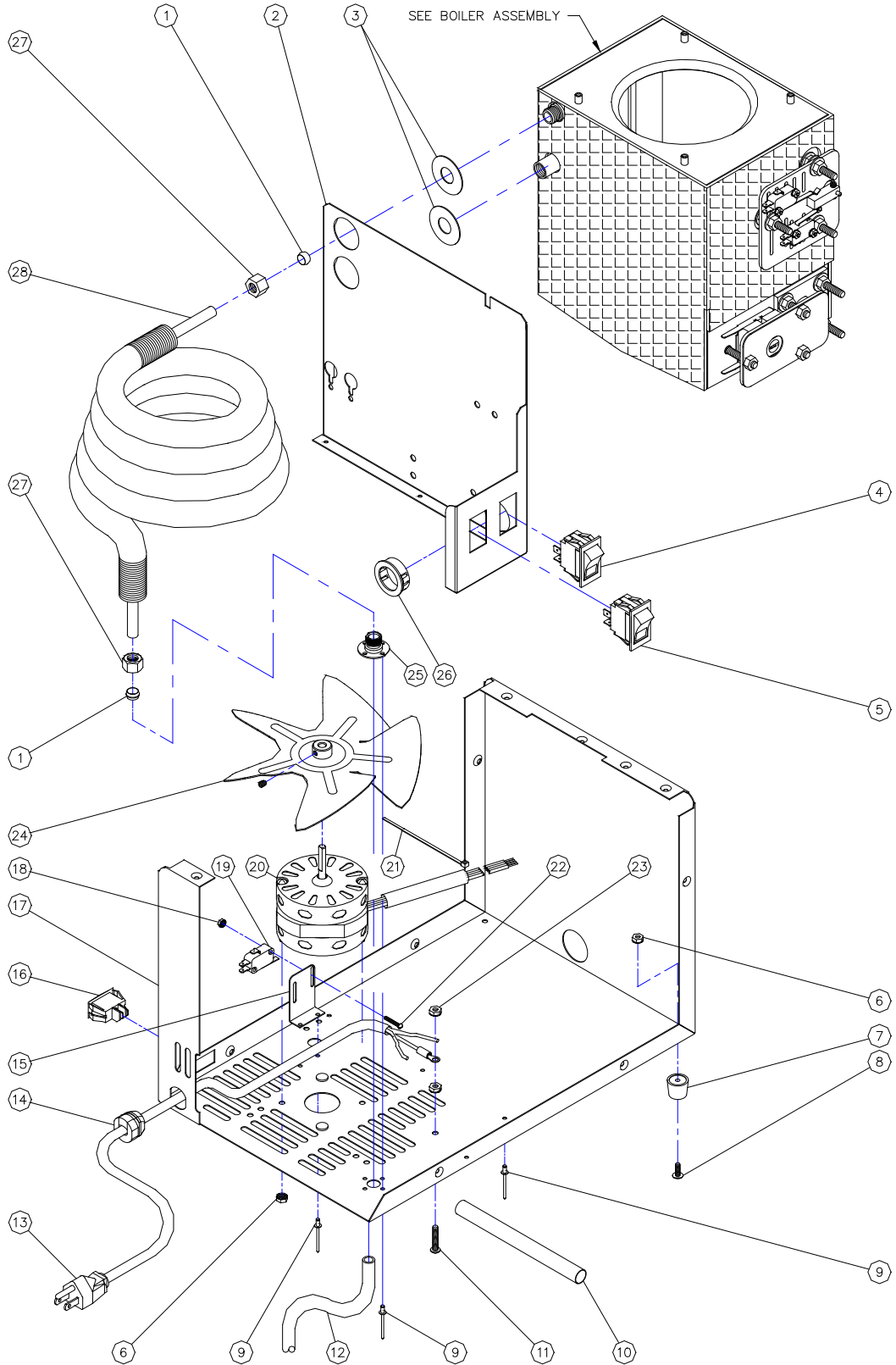


094183, Exploded Parts List

Distiller Body Assembly, PWS, 5GPD Automatic

Item #	Part #	Description	Qty
1	030012	Ferrule, Brass, 3/8" Compression	2
2	500335	Divider, 5-3	1
3	018023	WASHER, FLAT, 5/8"ID x 1-1/2"OD, 20ga, SS	2
4	060014	Switch,Rocker,Red,120/240,SPST,PB	1
5	060013	Switch,Rocker,Clear,120/240,SPST,PB	1
6	026001	Nut,Kep,Pltd,#8-32	6
7	054010	Leg,Plastic,3/4ODx5/8"High	2
	500194	Leg,3/4 OD & 5/8 H,Drilled (not shown)	2
8	012029	SCW,MACH,316SS,8-32x1/2",Trs HD/Phil DR	4
9	016004	Rivet, Alum, 1/8" x 5/16"	10
10	080108	Sleeve Fiberglass, 1/2"	6"
11	012000	Scw,Mach,Pltd,#10-24x1",Rnd/Sk	1
12	052002	Tubing,PVC,5/16"x7/16"	2'
13	500232	Power Cord Assy,16-3 NA,8GPD	1
14	054002	Strain Relief,7K-2	1
15	500344	Plate, Microswitch, SS	1
16	060057	Switch,Visi,SPST,Blk,RA911	1
17	500471	Body, EAU-A-5-5 & PWS 5-3	1
18	026003	Nut,Kep,Pltd,#4-40	2
19	400006	Microswitch,ShortArm,Low Force	1
20	500350	Motor Assy, 5-3	1
21	054011	Wire Tie,Plastic,4"	Ref.
22	012003	Scw,Mach,Pltd,4-40x3/4",Rnd/Sk	2
23	026000	Nut,Kep,Pltd,#10-24	2
24	080045	Fan Blade,7" Alum.	1
25	530344	MOUNT, WA, CC COMPRESSION	1
26	054004	Bushing,Snap,Plastic, 1-1/4"Hole	1
27	500239	Cooling Coil Assy,8 GPD,Auto	1
28	030013	Nut, Pltd, 3/8" Compression	2

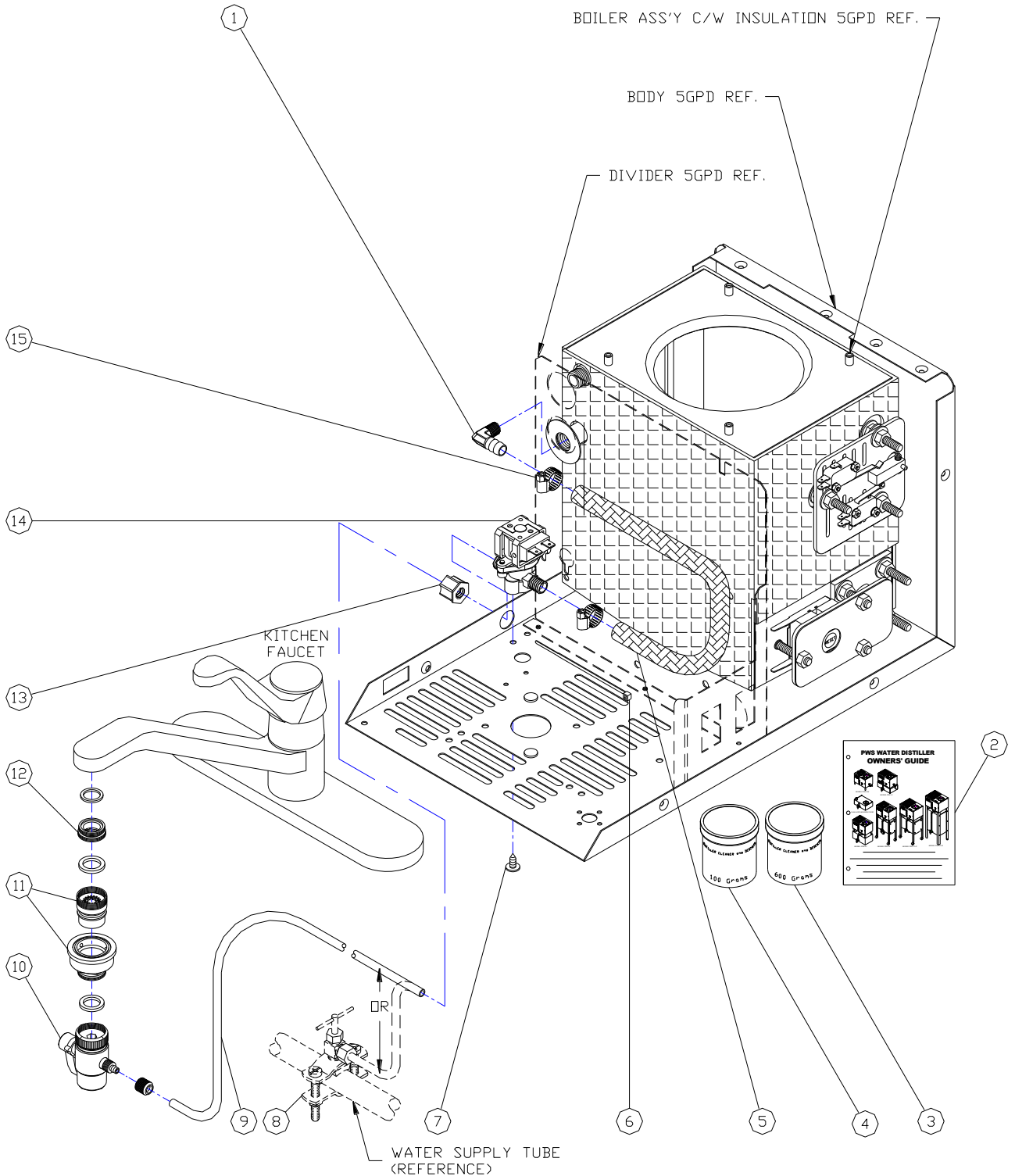
094183, Exploded Parts List Distiller Body Assembly, PWS, 5GPD Automatic



094184, Exploded Parts List 5GPD Solenoid Valve Assembly

Item #	Part #	Description	Qty
1	030003	Elbow, 90 Degree, 1/8"MPT X 3/8"HB	1
2	097067	Owners Guide, PWS 5-3 Distiller	1
3	080115	Descaler, Sample, 300Gr. Jar	1
4	080116	Charcoal, Sample, 100Gr. Jar	1
5	052004	Tubing, 3/8" X 0.6" Braided	1.625'
6	054011	Wire Tie, Plastic, 4"	Ref.
7	010000	Screw, Sheet Metal, #10-12 X 1/2", SS	2
8	036005	Valve, Self Piercing Kit	1
9	052000	Tubing, 1/4" Feed-line	16'
10	036010	Valve, Diverter, Faucet, 1/4"	1
11	036011	Connector, Faucet, Snap, 2 Pieces	1
12	036012	Faucet Adapter Kit, Brass, 4 Pieces	1
13	034105	Nut, 1/4" Compression, Poly Tube	1
14	060147	Valve, Solenoid, 1/4" Compression BE, 120VAC, ASCO	1
	060148	Valve, Solenoid, 1/4" Compression BE, 240VAC, ASCO	1
15	080056	Gear Clamp, SS, 1/4"	2

094184, Exploded Parts List 5GPD Solenoid Valve Assembly

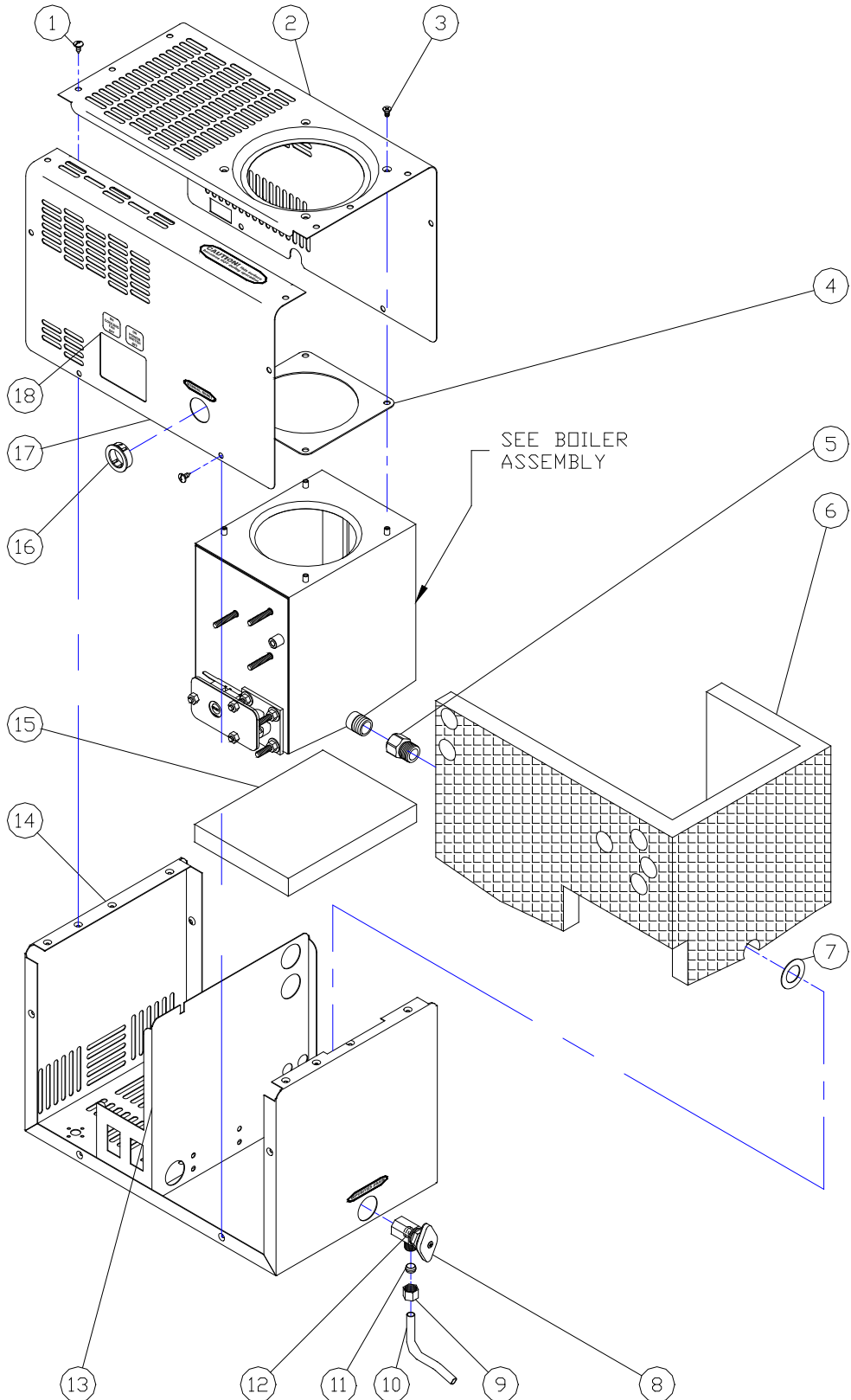


094185, Exploded Parts List

Distiller Head Assembly, PWS, 5GPD Automatic

Item #	Part #	Description	Qty
1	010000	Screw, Sheet Metal, #10-12 X 1/2", SS	16
2	500503	Cover, Rear, 5-3, Auto, S16	1
3	012008	Screw, Mach, #10-24 X 3/8", Oval Head	4
4	500111	Gasket, Lid	1
5	030043	Adapter, 1/2"FPT x 1/2"MPT	1
6	500348	Insulation, 5-3, Boiler Sides	1
7	018002	Washer, Flat, 7/8" X 1-1/2" X 20ga, SS	1
8	400000	Drain Valve, Impurities	1
9	030013	Nut, Pltd, 3/8" Compression	1
10	500212	Tube, Manual Drain	1
11	030012	Ferrule, 3/8"	1
12	080065	Washer, Impurities Drain Valve	1
13	500335	Divider, 5-3, Auto	1
14	500471	Body, Series 16	1
15	500215	Insulation, 8GPD Manual Boiler Bottom	1
16	054004	Bushing, Snap, 1.25"	1
17	500336	Cover, Front, 5-3, Auto	1
18	080120	Decal, Sht, PWS, Distillers	0.25

094185, Exploded Parts List Distiller Head Assy, PWS, 5GPD Automatic



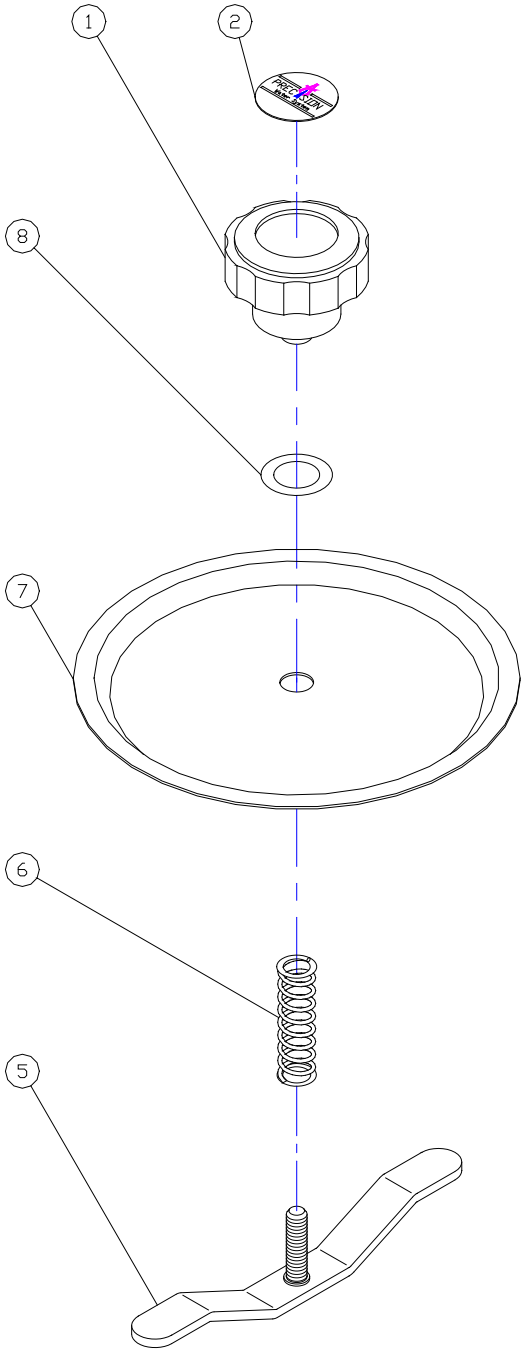
094186, Exploded Parts List

Boiling Tank & Holding Tank Lids Assy, PWS, 5-3

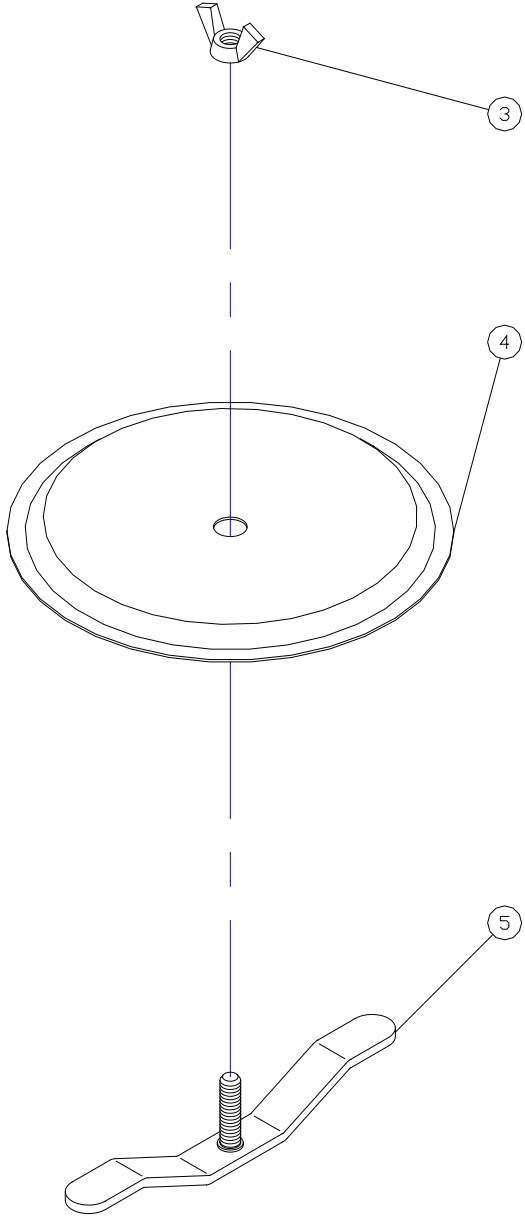
Item #	Part #	Description	Qty
1	080053	Knob, Black Phenolic, 1/4-20	1
2	080106	Inlay, Knob, PWS	1
3	028002	Nut, Wing, 1/4", SS	1
4	500119	Lid, H/T, Disc, SS, 5.5"	1
5	500115	Tee Bar, Studded, 5.5"	2
6	080058	Spring, BT, Lid, SS	1
7	500118	Lid, B/T, Disc, SS, 5/5"	1
8	080064	O-Ring, Lid Knob, Buna 112	1

094186, Exploded Parts List

Boiling & Holding Tank Lids Assy, PWS, 5-3



BOILING TANK
LID ASSEMBLY, PWS
(PART # 500184)



HOLDING TANK
LID ASSEMBLY, 5-3
(PART # 500180)

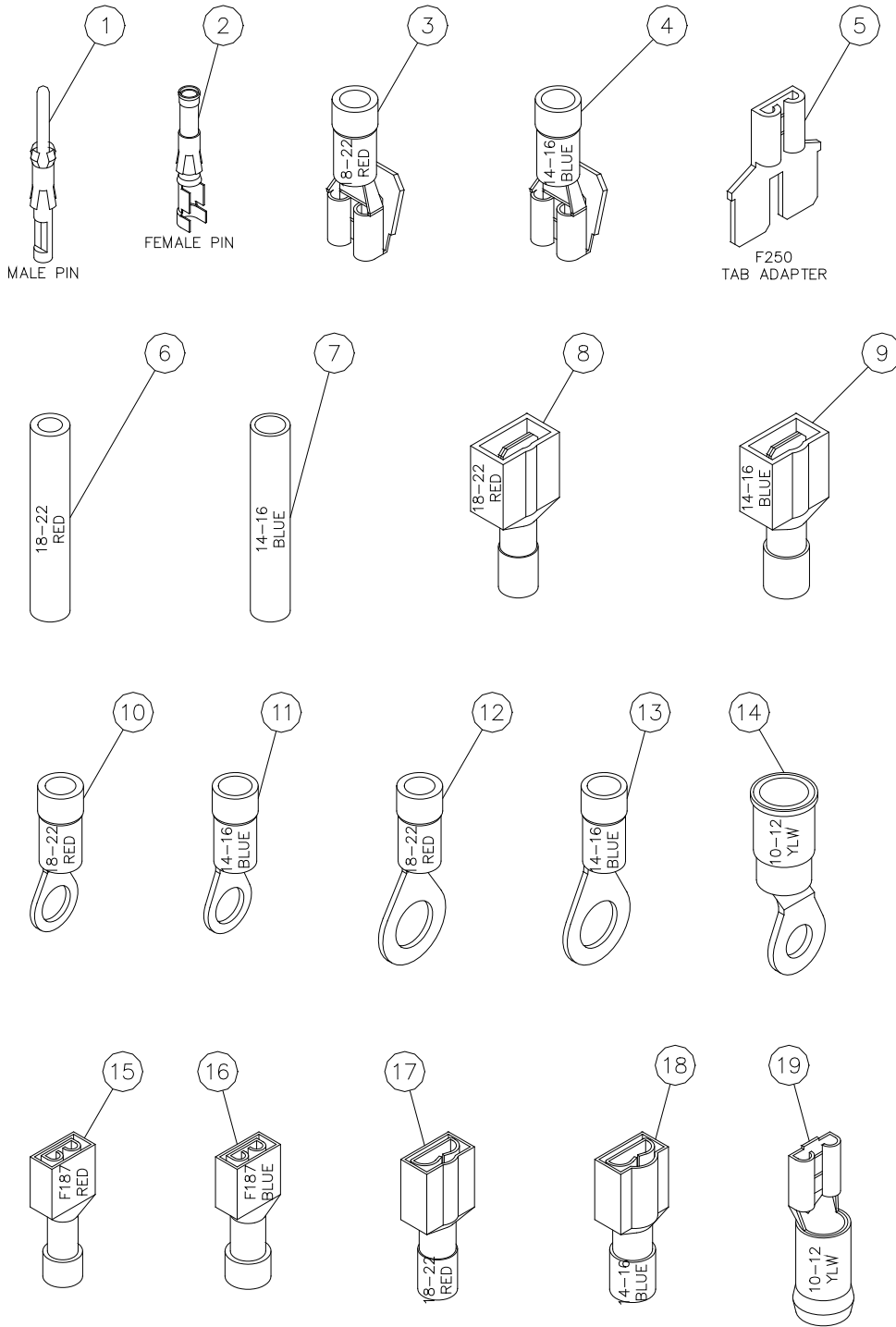
094109, Exploded Parts List

Electrical Terminals

Item #	Part #	Description
1	060016	Pin, Male, Circular
2	060017	Pin, Female, Circular
3	066014	Receptacle, Pigg, F250, #18-22 AWG, Red
4	066004	Receptacle, Pigg, F250, #14-16 AWG, Blue
5	066013	Tab Adapter, F250
6	066006	Butt Splice, #18-22 AWG, Red
7	066005	Butt Splice, #14-16 AWG, Blue
8	066012	Tab, 250, #18-22 AWG, Red
9	066011	Tab, 250, #14-16 AWG, Blue
10	066008	Ring, #10, #18-22 AWG, Red
11	066007	Ring, #10, #14-16 AWG, Blue
12	066010	Ring, ¼", #18-22 AWG, Red
13	066009	Ring, ¼", #14-16 AWG, Blue
14	066016	Ring, #10, #10-12 AWG, Yellow
15	066003	Receptacle, F187, #18-22 AWG, Red
16	066001	Receptacle, F187, #14-16 AWG, Blue
17	066002	Receptacle, F250, #18-22 AWG, Red
18	066000	Receptacle, F250, #14-16 AWG, Blue
19	066015	Receptacle, F250, #10-12 AWG, Yellow

094109, Exploded Parts List

Electrical Terminals



Wiring List - Precision Pure 5-3 -120V Part # 500345-S13-

						SERIES 13		
No.	Part#	Color	Ga	Length	From Conn.	ToConn.	From Location	To Location
1	500232	GRN	16	3"	#10RING#14-#16	POWER CORD	GROUND	POWER CORD
2	500232	BLK	16	4"	F250 #14-#16	POWER CORD	POWER SWITCH "B"	POWER CORD
3	500232	WHT	16	7"	#10RING#14-#16	POWER CORD	RESET SWITCH #4	POWER CORD
4	500350	BLKor	18	14"	#10RING#18-#22	FAN MOTOR (ORG/BLU)	HEATING ELEMENT "A"	FAN MOTOR
5	500350	BLKor	18	6"	F250 #18-#22&PIGG#18-#22	FAN MOTOR (YLW/WHT)	FAN SWITCH "C"	FAN MOTOR
6	095026	RED	16	7"	#10RING#14-#16	F187 #14-#16	RESET SWITCH #1	Lower Microswitch COM (B/T)
7	095089	BLK	16	21"	#10RING#14-#16	F187 #14-#16	RESET SWITCH #2	Microswitch COM (H/T)
8	095090	BRN	16	17"	#10RING#14-#16	F250 #14-#16	RESET SWITCH #1	SOLENOID VALVE "A"
9	095091	WHT	16	5"	#10RING#14-#16	#10 RING #14-#16	RESET SWITCH #3	HEATING ELEMENT "B"
10	095092	BLU	16	9"	#10RING#14-#16	F250 #14-#16	RESET SWITCH #3	FAN SWITCH "B"
11	095093	YLW	16	18"	#10RING#14-#16	F250 #14-#16	RESET SWITCH #3	WATER SWITCH "A"
12	095094	RED	16	14"	F250 #14-#16	F187 #14-#16	POWER SWITCH "C"	Microswitch NC (H/T)
13	095010	WHT	16	3"	F250 #14-#16	PIGG#14-#16	POWER SWITCH "D"	FAN SWITCH "B"
14	095095	BRN	16	9"	#10RING#14-#16	F187 #14-#16	HEATING ELEMENT "A"	Lower Microswitch NC (B/T)
15	095096	WHT	16	12"	#10RING#14-#16	F250 #14-#16	HEATING ELEMENT "A"	FAN SWITCH "D"
16	095097	WHT	16	21"	F250 #14-#16	F187 #14-#16	WATER SWITCH "B"	Upper Microswitch NC (B/T)
17	095098	BLU	16	19"	F187 #14-#16	F250 #14-#16	Upper Microswitch COM (B/T)	SOLENOID VALVE "B"
NOTE: 6" Fibreglass Sheath over wires # 7, 8,11,12,16 &17.								

Note: Wire #11,#16,#7 and #12 are covered in a pvc tubing #080108

500345, Exploded Parts List Wiring Diagram, PWS, 5GPD, Auto

