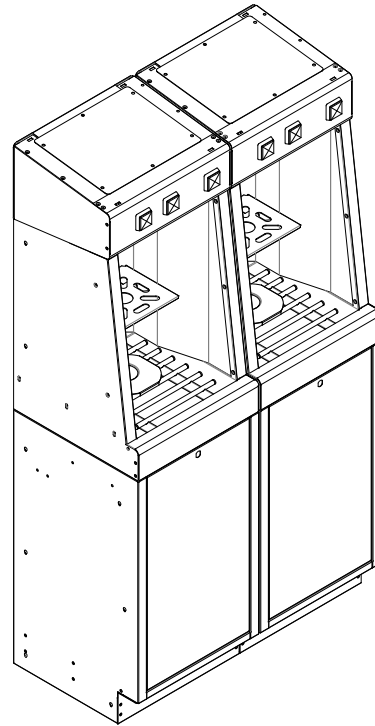


Purely Natural Self-Serve Water Dispenser Owners' Guide



Models: PN BFDSA-1

Part No: 330016
& 330023

BFDSA-Dual

Series: 0007
Series: 0007

Manufactured By:
Precision Design & Manufacturing Inc.
9024-100 Street
Westlock, AB, Canada
T7P 2L4

<http://www.precisioncanada.com>
Phone: (780) 349 4933
Email: info@precisioncanada.com

**Please read this Owners' Guide
completely before installing or
operating your
Precision Water Systems
Water Dispenser.**

*Specifications are subject to
change without notice.*

Table of Contents

TABLE OF CONTENTS	3
INTRODUCTION	4
RECORDS	4
WARRANTY & IMPORTANT SAFETY PRECAUTIONS	5
FEATURES	6
<i>Water Dispenser & Ozone Rinse Station</i>	
<i>Bottle Washer and Fill Station Rear Bottom View Features Diagram</i>	
FINDING A GOOD INSTALLATION LOCATION	7
UNPACKING YOUR WATER DISPENSER & RINSE STATION	8
<i>Bottle Washer and Fill Station Unpacking Diagram</i>	
INSTALLATION	9
<i>Pre-Installation Preparation</i>	9
<i>Pure Water & Drain Connections</i>	9
<i>Electrical Connections</i>	10
<i>Bottle & Shelf Attachments</i>	11
OPERATION	12
<i>Adjusting Fill Capacity</i>	13
<i>Adjusting Timer</i>	14
MAINTENANCE AND CLEANING	15
<i>Daily House Keeping</i>	15
TROUBLESHOOTING	16
SPECIFICATIONS AND TECHNICAL INFORMATION	17-21
<i>Wiring List BFDSA-1</i>	17
<i>Wiring Schematic BFDSA-1</i>	18
<i>Wiring List Ozone Generator</i>	19
<i>Wiring Schematic Ozone Generator</i>	20
<i>Wiring List Pumps</i>	21
WARRANTY	
REGISTRATION	23

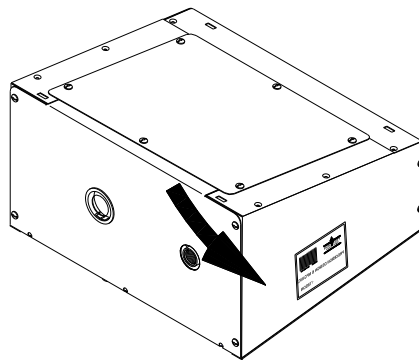
Introduction

Congratulations on the purchase of your new Purely Natural (PN) Water Dispenser. When installed and maintained properly, your water dispenser will provide years of safe, trouble free service. It is important to observe and follow the safety and maintenance instructions carefully. If you have any questions or concerns regarding installation or operation of your water dispenser please contact your dealer.

Your water dispenser must be installed according to any Local or State Regulations.

Records

Please record all of the important information below to assist you and the service centre in case there is any service work required in the future. All of the information is required to properly identify your water dispenser and will make servicing much easier. The information is located on the serial plate, which is located on the side of the water dispenser as shown below.



PN Model: - *eg: BFDSA-2*

Series: *eg: 0005*

Serial Number: *eg: 0801812*

Date of Purchase: _____

Warranty

- The warranty for your water dispenser covers defects to all components and electrical parts for one (1) year to the original purchaser.
- Stainless Steel parts are warranted for one (1) year. With this warranty it is the responsibility of the water dispenser owner to properly maintain the water dispenser. If there is any misuse or abuse the one (1) year warranty will be void.
- PN does not warrant any transportation charges incurred to complete the repair. The water dispenser owner is responsible for all shipping charges to and from the service centre.
- Warranty is void if the water dispenser is found to have been consumer damaged or misused, caused by acts of God, unauthorized alteration, repair or vandalism.

Important Safety Precautions

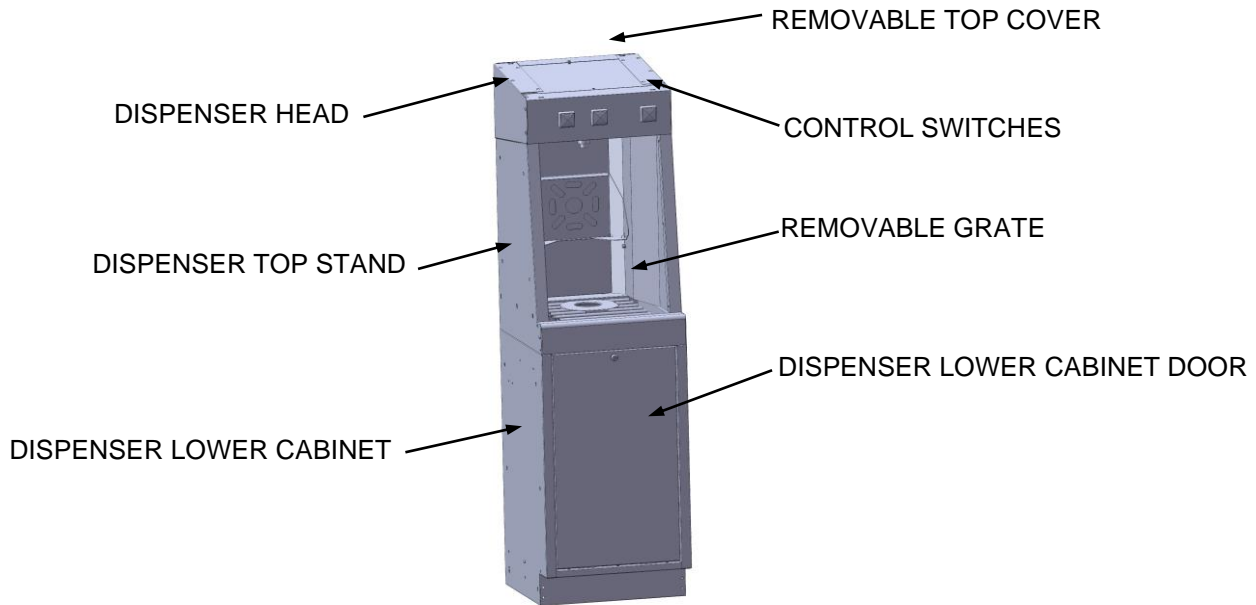
When using electrical appliances, basic safety precautions should always be followed including the following:

- 1. Read all instructions.**
- 2.** To protect against electrical shock do not immerse cords or plugs in water or other liquid.
- 3.** Close supervision is necessary when any appliance is used near children.
- 4.** Do not allow children to operate this appliance.
- 5.** Do not operate any appliance with a damaged cord or plug or after the appliance malfunctions or has been damaged in any manner. Return appliance to the nearest service facility for examination, repair or adjustment.
- 6.** This appliance is intended for commercial use only.
- 7. Save these instructions.**

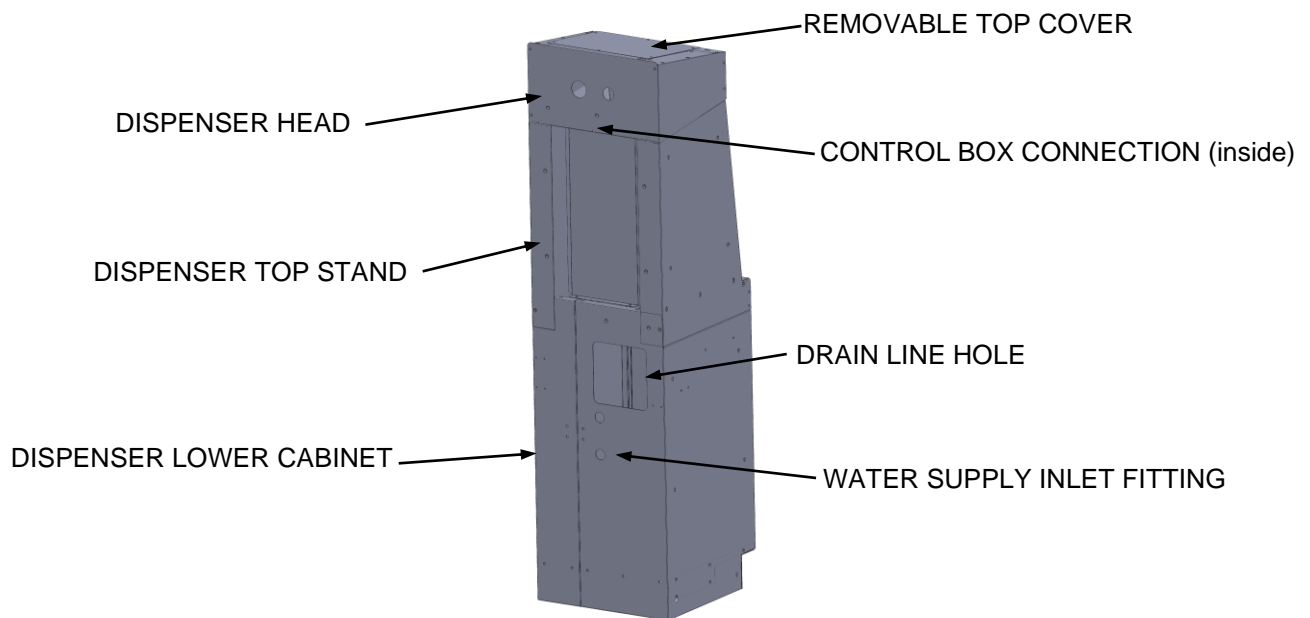
Features

The water dispensers have the following features shown in the diagrams below:

Water Dispenser Front View Features Diagram



Water Dispenser Rear View Features Diagram

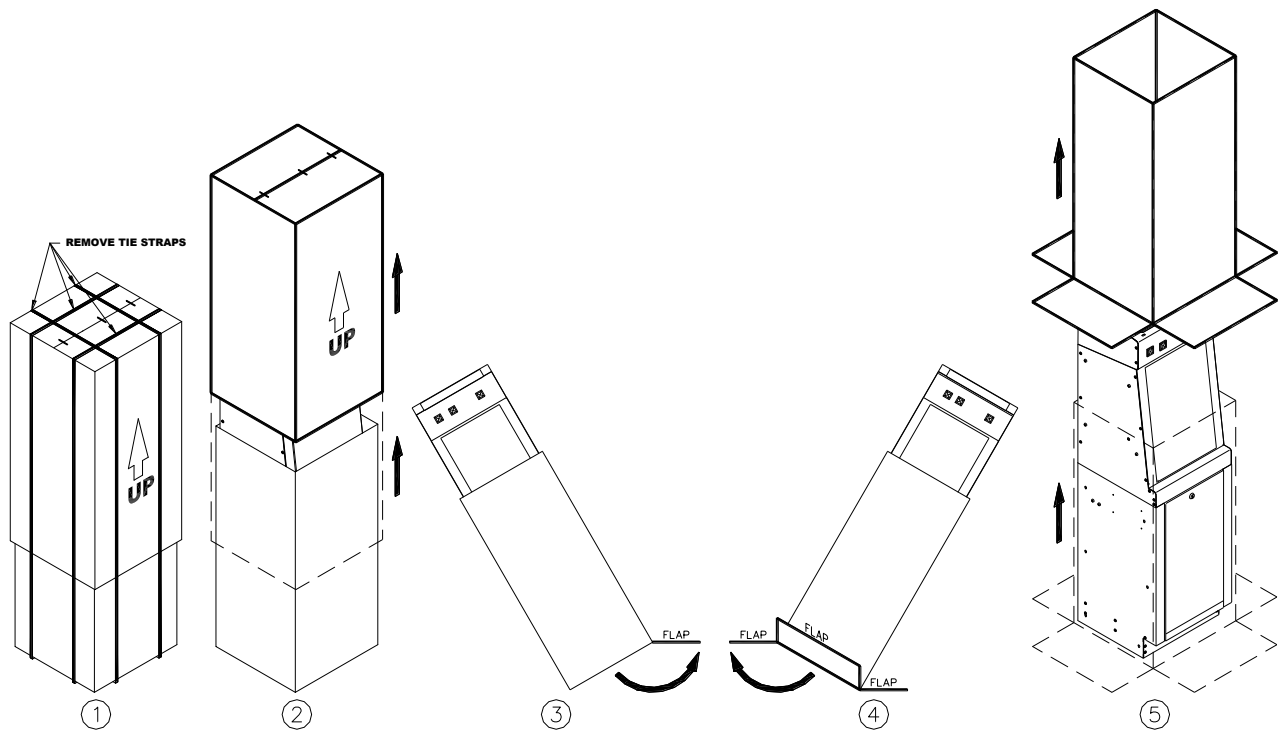


Finding a Good Installation Location

Before installing your water dispenser it is important to find a good location. Following the points listed below will provide the best location for your water dispenser.

1. There needs to be adequate room for a customer to place a bottle in the water dispenser for rinsing and filling.
2. Plan for electrical and plumbing requirements for the water dispenser. The **Pre-Installation Preparation** section in the **Installation** section of this guide explains the electrical and plumbing requirements in detail. The most critical component of the installation, in regards to plumbing, is the floor drain location. A wall drain may be your only option. If a wall drain is used, be sure there is sufficient slope to follow local plumbing codes. If a floor or wall drain is not accessible, a pump out tank option is available to pump water to a drain in another remote location.
3. Good lighting is required to make sure the water dispenser can be operated properly. Lighting may be added to an installation location easier than plumbing or floor drains.
4. An open area that can be kept clean and maintained is important when considering the location for your water dispenser. The installation location should not be near an overhead door.
5. The water dispenser area should be in the general traffic flow of your store for optimum exposure.

Unpacking Your Water Dispenser



Water Dispenser Unpacking Diagram

Your water dispenser has been shipped in a strapped, 2-sleeve, box. Unpack the water dispenser by:

- 1.** Remove the straps off the cardboard box.
- 2.** Lift the top cardboard sleeve off of the dispenser.
- 3.** Tip the dispenser slightly and pull out the half flaps.
- 4.** Tip the other 3 directions to pull out the other 3 flaps.
- 5.** Return the dispenser to the upright position with all 4 flaps outward.
- 6.** Lift the remaining cardboard sleeve over the top of the dispenser.

Assembly

Your water dispenser comes fully assembled.
If you purchased the optional bottle shelving unit they will need to be installed.

Installation

Pre-Installation Preparation

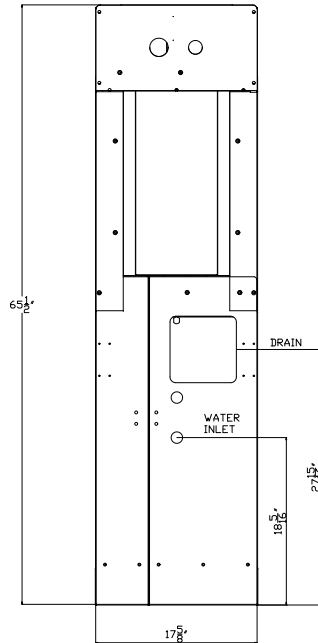
Introduction

To ensure that installation of your water dispenser can be completed as quickly as possible, it is best to have all of the electrical supplies and plumbing fittings installed before your station arrives. All connections should be located so when your water dispenser arrives, all you have to do is assemble it, slide it against the wall, and connect the electrical and plumbing with a minimum amount of labour.

The water dispenser should be installed according to local electrical and plumbing codes. If you are unable to install the station according to code, then have a plumber and electrician complete all connections for you.

Pure Water & Drain Connections

One water supply and one drain connection are required on single station water dispensers and 2 water supply** and one drain connection are required for double dispensers.



The **Water Dispenser Plumbing Diagram** below shows the dimensions for the location of all water supply and drain connections.

The **Water dispenser Plumbing Diagram** above shows the dimensions for the location of the drain connections. Be sure to install according to appropriate local building codes.

NOTE:

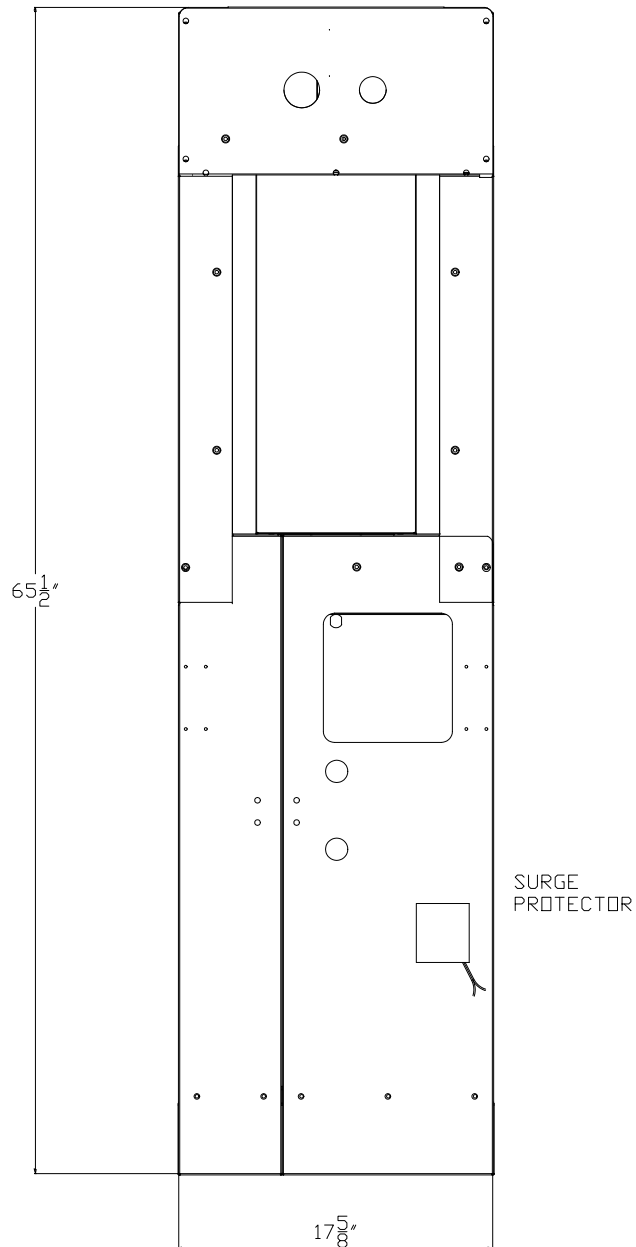
**ALL DIMENSIONS ARE ACCURATE AT TIME OF PRINTING
BUT ARE SUBJECT TO CHANGE WITHOUT NOTICE.**

**Note: Double dispensers should have 2 individual pure water lines connected to 2 independent pumps.
All pure water lines should be 1/2" ID min. and pumps should be 2-5 gallons per minute.

Electrical Connections

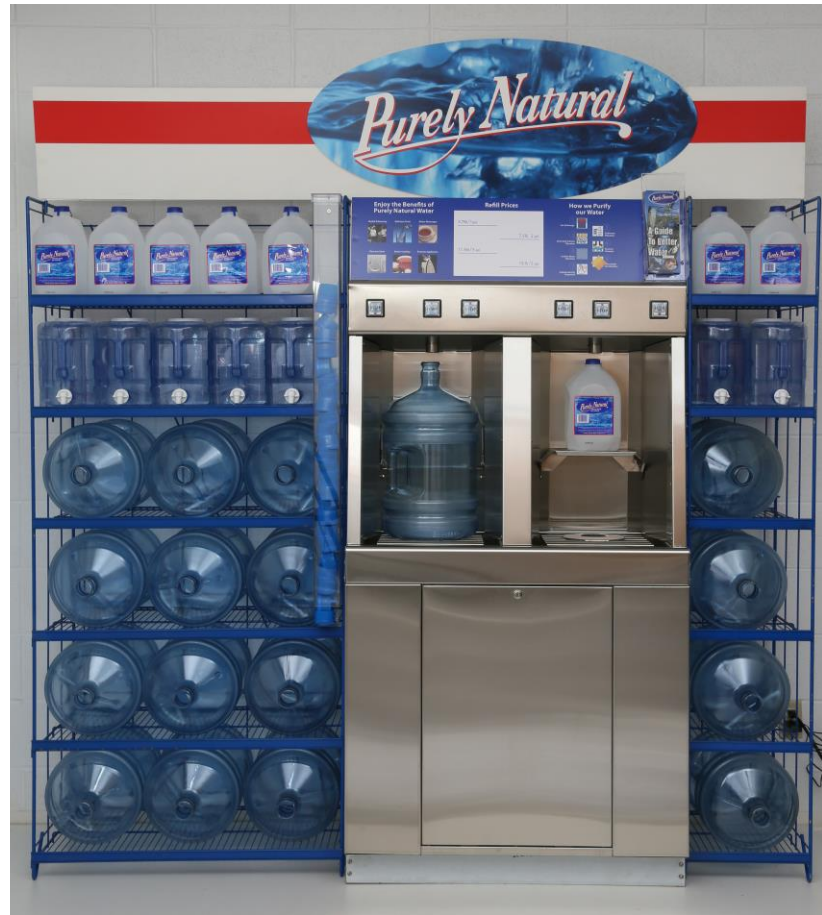
A qualified electrician must be used to complete the electrical connections for the water dispenser. A 120 Volt, 10 Amp, power supply with 2 outlets will be required to provide adequate electrical service for the water dispenser.

Water dispenser Electrical Connections Diagram



Optional Bottle Shelf Attachment & Set-Up

If you purchase the optional bottle and accessory shelf, please refer to picture below for setup.



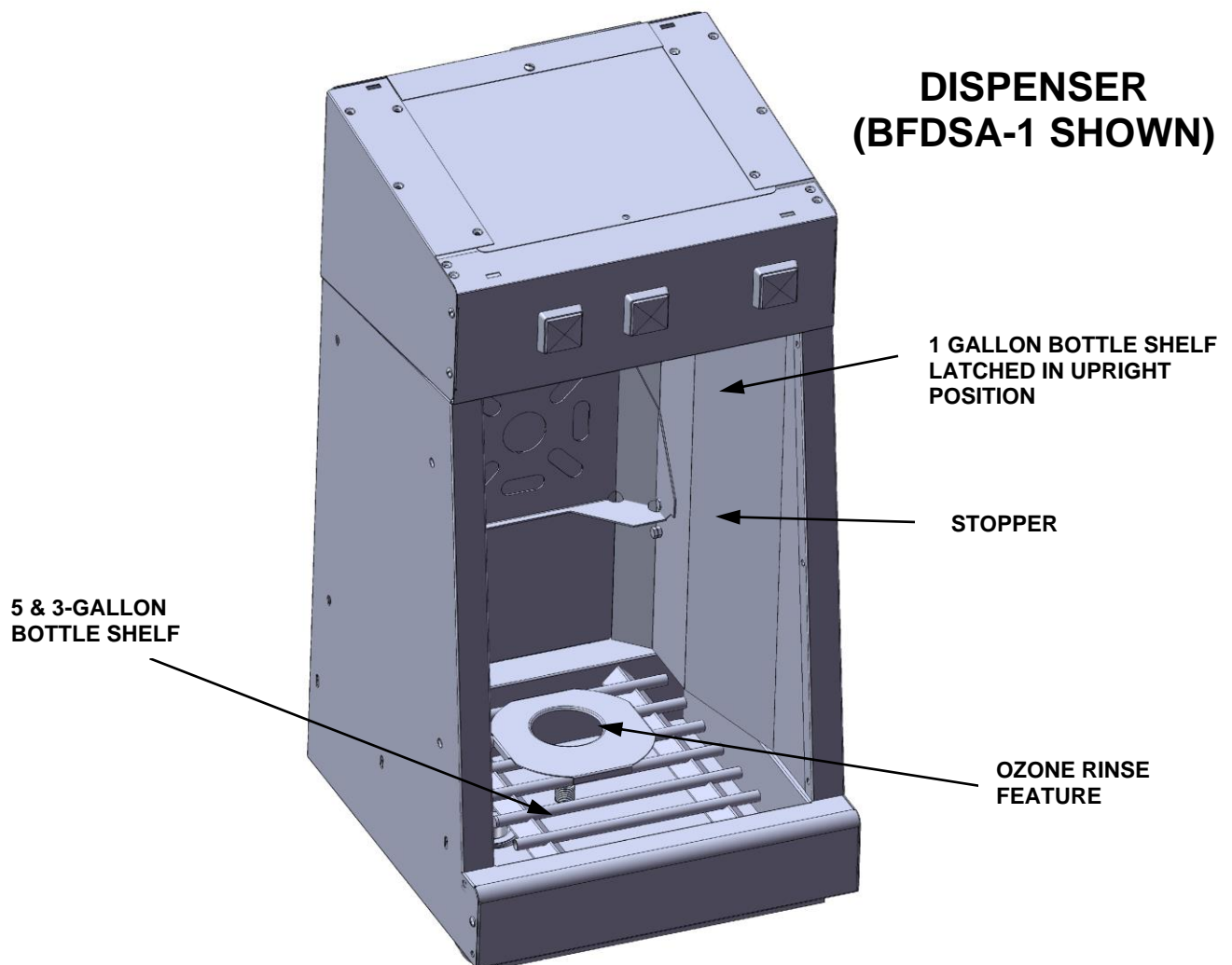
Note: Bottles and other accessory not included.

Operation

NOTE: Read all parts of the Owners Guide before operating the Water Dispenser.

Introduction

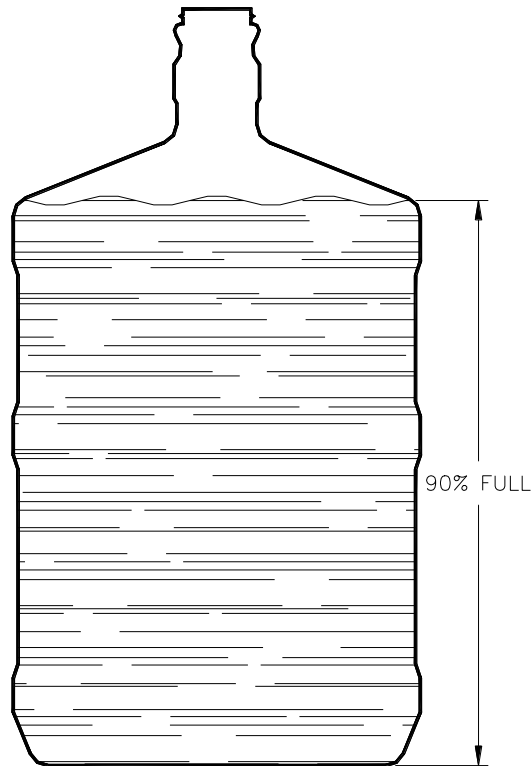
Your new dispenser has a rinse & semi automatic fill feature. To rinse a new clean bottle, you simply turn the bottle upside down & press the rinse button (*ozone rinse*). Push and hold button, now the bottle is rinsed and ready for a fill. Turn 5&3 Gallon on bottom grate to fill. 5 gallon bottle is preset to shut off once it is filled, for the 3 gallon there is a bottle stop button has to be pushed.



For smaller bottles the bottle shelf should be lowered to reduce the distance between the water outlet spout and the neck opening on the bottle. To lower the shelf, simply pull ahead on the shelf and lower it onto the shelf stopper as shown above. When your have completed

filling your bottle and have removed it from the fill chamber, return the shelf to the storage position.

Activation Controls

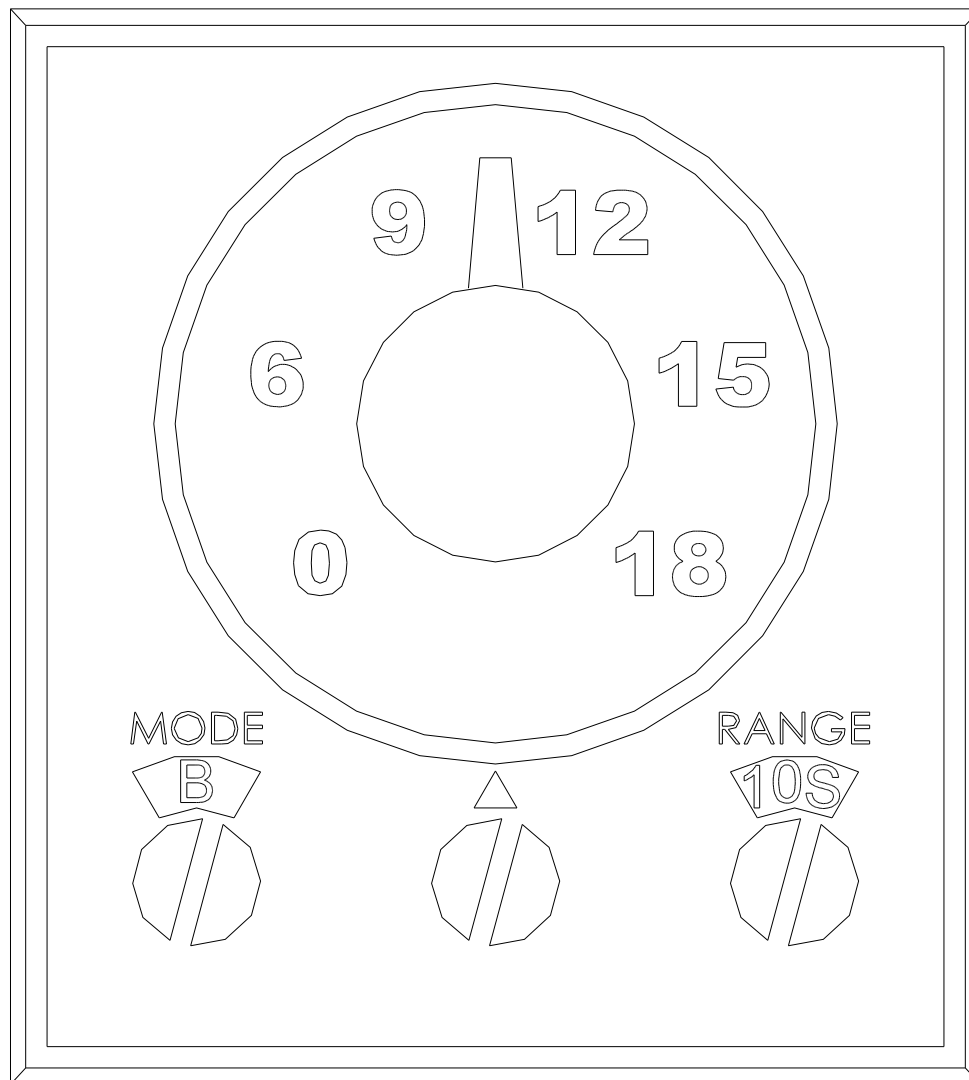


Once the bottle is full, re-apply the cap. New caps for crown neck bottles should be available to the customer at no extra charge. Remove the bottle.
For double dispensers, two bottles may be filled at the same time.

Adjusting Bottle Fill Capacity

To adjust fill capacity auto shutoff, first remove dispenser top cover. Locate & put in place a 5 Gal bottle in dispensing compartment, start flow & time filling of the bottle to approximately 90% (Start of the neck of the bottle) as shown in bottle fill illustration. Adjust timer knob to approximate time (each number indicates 1-minute increments). Empty & retest bottle fill & timer, adjust to reach appropriate fill level. Once achieved, reinstall top cover. Operation of timer function is to prevent start button being pushed & unit left to run continuously. For small bottles, start fill & stop when desired fill level reached.

Semi Automatic Dispenser Timer Instructions



Initial Setting:

Using a small flat blade screwdriver:

- Set Left Hand Mode Dial to 'B'
- Set Center Dial to '0-18' Numbers on the Main Display
- Set Right Hand Range Dial to '10S'

See Diagram above.

Maintenance and Cleaning

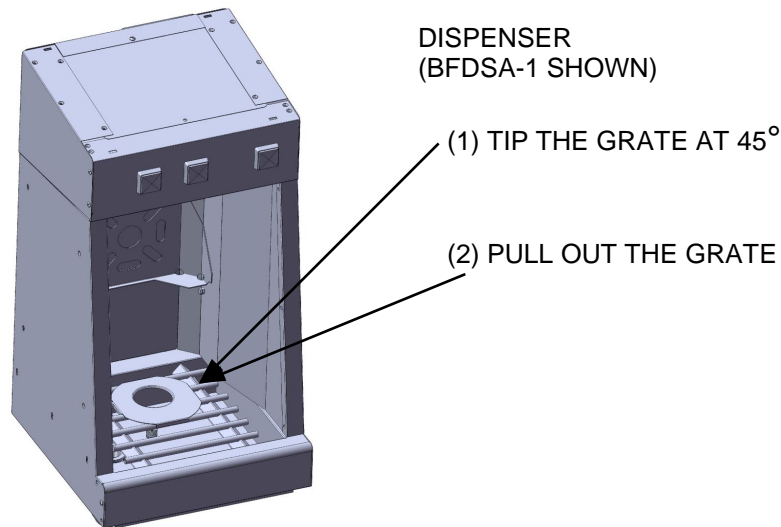
Regular Maintenance

Keeping your water dispenser clean on a daily basis is the best maintenance that you can provide.

Wash your overflow tray with a scotchbrite type pad to keep your dispenser sparkling clean.

Note: Never use steel wool type scrubbers as they will contaminate the stainless steel and promote rust.

Bottle grates can easily be removed and reinstalled as show in the diagram. Removal of the bottle grate allows for easy and complete access to the overflow tray in each bottle fill chamber.



DAILY HOUSE KEEPING

Daily Refuse Removal

At least once per day, the dispenser should be checked for any refuse left by customers inside the fill chambers.

Daily New Bottle & Accessory Restock

If your dispenser is equipped with the optional bottle and accessory racking, ensure a full stock of water bottles and accessories are available for purchase by your customers in your store.

Push-On Caps

Have a supply of new, clean, push on caps available for your customers.

Troubleshooting

Caution! Always Disconnect all power and let the water dispenser cool down completely before completing any Troubleshooting.

PROBLEM	CAUSE
A) No Water Flow when the cycle activation switch is pressed.	<ol style="list-style-type: none">1. No power to water dispenser.2. Ensure that there is sufficient purified water available.3. Check pump supply.
B) Solenoid Valve does not turn off at the end of cycle.	<ol style="list-style-type: none">1. Debris in solenoid valve is holding the valve open. Remove the top off from the solenoid valve by removing screws and check for blockage. Remove blockage and/or flush valve with clean water.

Contact any Precision Water Systems Service Centre to correct any problems with your Water Dispenser that is not covered in this guide.

To locate a Service Centre in your area contact the manufacturer at:

Precision Design & Manufacturing Inc.
9024-100th Street
Westlock, Alberta, Canada
T7P 2L4
<http://www.precisioncanada.com>
e-mail: info@precisioncanada.com

Phone: (780) 349 4933

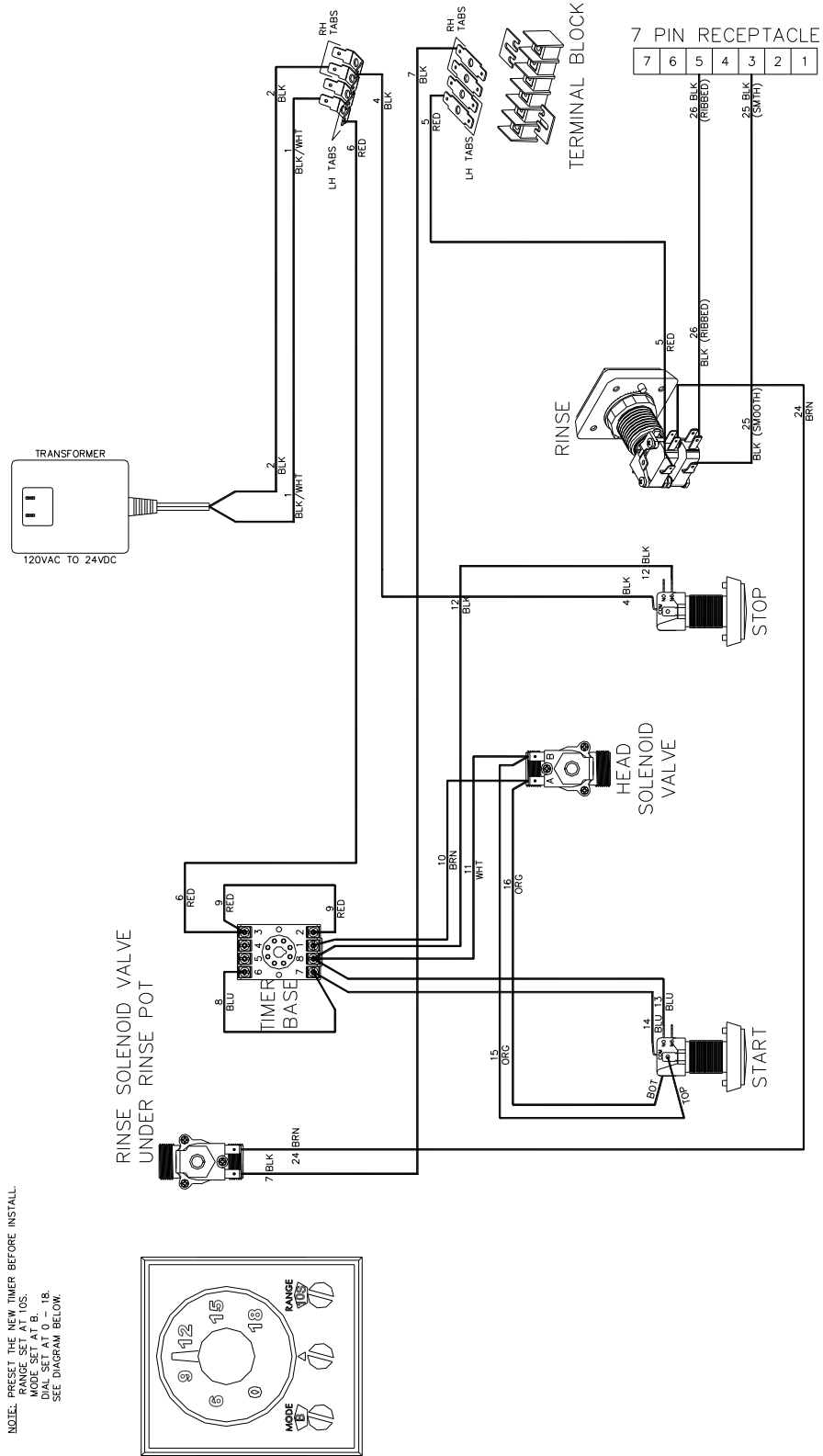
Wiring List, BFDSA-1

Wiring List - PURELY NATURAL SINGLE DISPENSER, BFDSA-1 PART # 330443B

No.	Part#	Color	Ga	Length	SERIES 7		From Location	To Location
					From Conn.	ToConn.		
1	330286	BLK/WHT	18	FULL 72"	PLUG	F250 #18-#22	TRANSFORMER	TERMINAL BLOCK (LH TAB)
2	330296	BLK	18	FULL 72"	PLUG	F250 #18-#22	TRANSFORMER	TERMINAL BLOCK (RH TAB)
4		BLK	16	12"	F250 #14-#16	F250 #14-#16	TERMINAL BLOCK (LH TAB)	STOP SWITCH COM
5		RED	16	20"	F250 #14-#16	F250 #14-#16	TERMINAL BLOCK (LH TAB)	RINSE SWITCH WHITE COM
6		RED	16	14"	F250 #14-#16	BARE	TERMINAL BLOCK (LH TAB)	TIMER BASE 3
7	330523	BLK	16	96"	F250 #14-#16	F250 #14-#16	TERMINAL BLOCK (RH TAB)	RINSE SOLENOID VALVE
8		BLU	16	8"	BARE	BARE	TIMER BASE 6	TIMER BASE 7
9		RED	16	8"	BARE	BARE	TIMER BASE 2	TIMER BASE 3
10		BRN	16	14"	BARE	PIGG #14-#16	TIMER BASE 1	HEAD SOLENOID VALVE A
11		WHT	16	14"	BARE	PIGG #14-#16	TIMER BASE 8	HEAD SOLENOID VALVE B
12		BLK	16	10"	BARE	F250 #14-#16	TIMER BASE 8	STOP SWITCH NC
13		BLU	16	12"	BARE	F250 #14-#16	TIMER BASE 8	START SWITCH NO
14		BLU	16	12"	BARE	F250 #14-#16	TIMER BASE 7	START SWITCH COM
15		ORG	16	9"	F250 #14-#16	F250 #14-#16	HEAD SOLENOID B	START SWITCH LIGHT TOP TAB
16		ORG	16	9"	F250 #14-#16	F250 #14-#16	HEAD SOLENOID A	START SWITCH LIGHT BOTTOM TAB
24	330523	BRN	16	96"	F250 #14-#16	F250 #14-#16	RINSE SWITCH WHITE NO	RINSE SOLENOID VALVE
25	330517	BLK	18	20"	F187 #18-#22	FEMALE PIN	RINSE SWITCH BLACK COM	7 PIN RECEPTACLE #3 (SMOOTH WIRE)
26	330517	BLK	18	20"	F187 #18-#22	FEMALE PIN	RINSE SWITCH BLACK NO	7 PIN RECEPTACLE #5 (RIBBED WIRE)
NOTES: 1. #1 & #2 WIRES ARE ATTACHED TO THE TRANSFORMER.								
2. #25 & #26 WIRES ARE 2 CONDUCTOR WIRES #18-2 BLACK (RIBBED & SMOOTH WIRES).								

330443, Exploded Parts List, Wiring Diagram, BFDSA-1

330443, Exploded Parts List Wiring Diagram, BFDSA-1



Wiring List, BFDSA-2

330447, Exploded Parts List,
Wiring Diagram, BFDSA-2

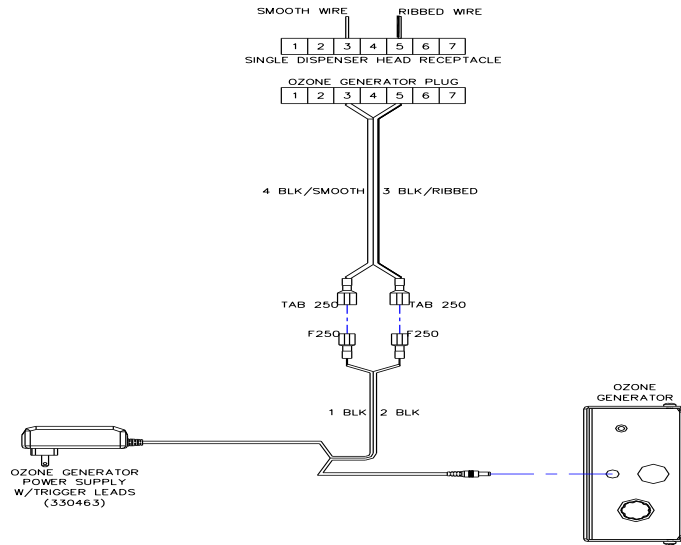
Wiring List - PURELY NATURAL SINGLE DISPENSER, OZONE GENERATOR PART # 330520

SERIES 7							
No.	Part#	Color	Ga	Length	From Conn.	ToConn.	To Location
1	330463	BLK	18	FULL	F250 #18-#22	TAB 250 # 18-#22	OZONE GENERATOR
2	330463	BLK	18	FULL	F250 #18-#22	TAB 250 # 18-#22	OZONE GENERATOR
3	330518	BLK	18	6"	MALE PIN	FEMALE PIN	7 PIN CIRCULAR PLUG #5
4	330518	BLK	18	6"	MALE PIN	FEMALE PIN	7 PIN CIRCULAR PLUG #3

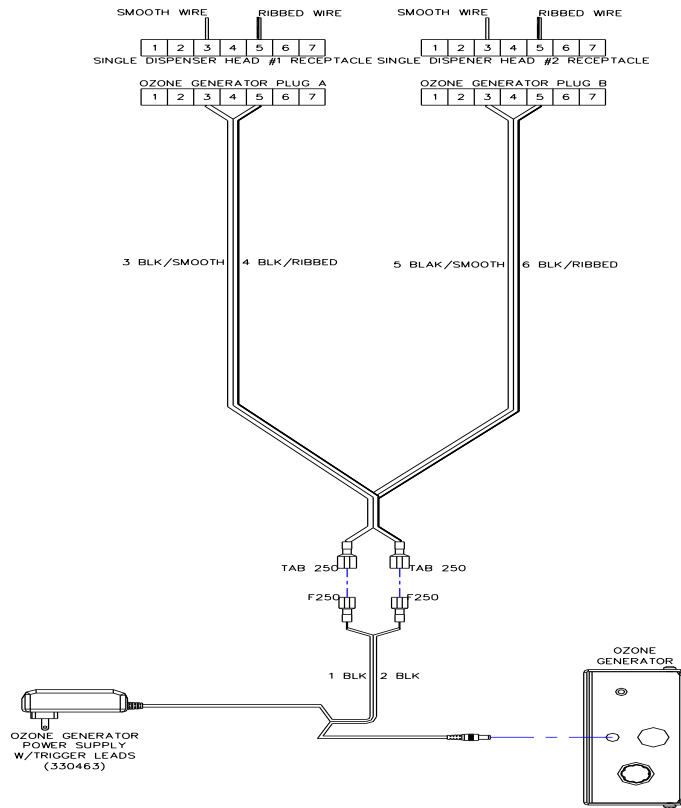
Wiring List - PURELY NATURAL DUAL DISPENSER, OZONE GENERATOR PART # 330520

SERIES 7							
No.	Part#	Color	Ga	Length	From Conn.	ToConn.	To Location
1	330463	BLK	18	FULL	F250 #18-#22	TAB 250 # 14-#16	OZONE GENERATOR
2	330463	BLK	18	FULL	F250 #18-#22	TAB 250 # 14-#16	OZONE GENERATOR
3	330519	BLK	18	15"	MALE PIN	FEMALE PIN	7 PIN CIRCULAR PLUG A #3 SMOOTH WIRE
4	330519	BLK	18	15"	MALE PIN	FEMALE PIN	7 PIN CIRCULAR PLUG A #5 RIBBED WIRE
5	330519	BLK	18	15"	MALE PIN	FEMALE PIN	7 PIN CIRCULAR PLUG B #3 SMOOTH WIRE
6	330519	BLK	18	15"	MALE PIN	FEMALE PIN	7 PIN CIRCULAR PLUG B #5 RIBBED WIRE

330520, Exploded Parts List Wiring Diagram, OZONE GENERATOR



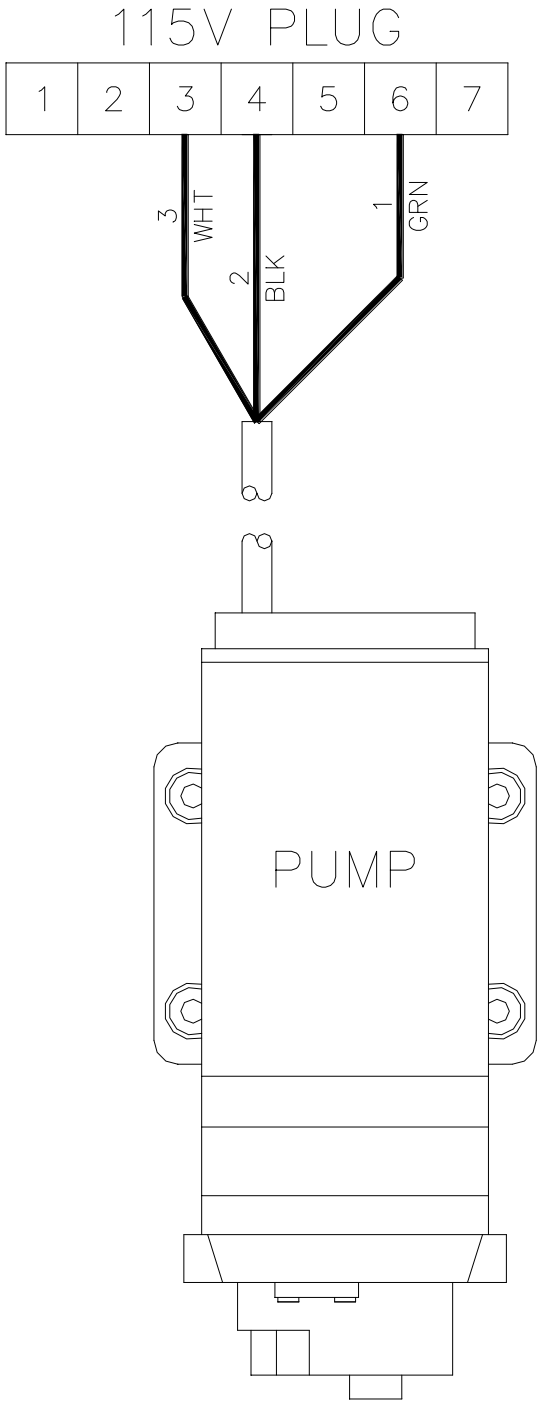
SINGLE DISPENSER OZONE GENERATOR WIRING DIAGRAM



DUAL DISPENSER OZONE GENERATOR WIRING DIAGRAM

Wiring List, Pump(s)

Wiring List (7 Pin Circular Plug Pump)									
No.	Part#	Color	Ga	Length	From Conn.	ToConn.	From Location	To Location	
1	XXXXXX	GRN	16	FULL	MPIN	PUMP CORD	7 PIN PLUG #6	PUMP CORD	
2	XXXXXX	BLK	16	FULL	MPIN	PUMP CORD	7 PIN PLUG #4	PUMP CORD	
3	XXXXXX	WHT	16	FULL	MPIN	PUMP CORD	7 PIN PLUG #3	PUMP CORD	



This Page Left Intentionally Blank.

Water Dispenser

Warranty Registration

IMPORTANT!

Precision Design & Mfg Inc.

IMPORTANT!

Thank you for purchasing this fine Precision Water Systems Water Dispenser.
Please complete the information below and return it within the next ten days so we may register your purchase.

Store Name

--	--	--	--	--	--	--	--	--	--	--	--	--	--	--	--	--	--

Contact Name

--	--	--	--	--	--	--	--	--	--	--	--	--	--	--	--	--	--

Address: (Mailing)

--	--	--	--	--	--	--	--	--	--	--	--	--	--	--	--	--	--	--	--	--

City

Province/State

Country

--	--	--	--	--	--	--	--	--	--	--	--	--	--	--	--	--	--	--

--	--	--	--

--	--	--	--	--	--	--	--	--	--	--	--	--	--	--	--	--	--

Zip Code/Postal Code

--	--	--	--	--	--	--	--

Date of Purchase:

Month

Day

Year

Phone Number:

--	--	--	--

--	--	--	--

--	--	--	--

--	--	--	--	--	--

--	--	--	--	--	--

--	--	--	--	--	--

Model Number

--	--	--	--

--	--	--	--	--	--	--	--

Serial Number

--	--	--	--	--	--	--	--	--	--

Series:

--	--	--	--

Purchased From:

--	--	--	--	--	--	--	--	--	--	--	--	--	--	--	--	--	--	--	--	--

Please fill in information completely and mail directly to:

Precision Design & Manufacturing Inc.
9024-100th Street
Westlock, Alberta, Canada
T7P 2L4
Or Email to: info@precisioncanada.com