

PWS SEA

12 Gallon w/ 20 Gallon Storage Capacity Automatic Water Distiller

(Engineered for today's Busy Family)

Featuring our newest line of home use Precision Water Distillers. The PWS Sea is perfect for a family of five or more people. This fully automatic water distiller is notably the best water distiller on the market today. Our High Quality is noted as follows:

- The only distiller, on the market, constructed with high grade stainless steel that also includes the storage tank faucet.
- Utilizes a high-grade Stainless Steel Refillable Charcoal Filter Canister.
- Large 3/4" Impurities Drain for easy cleaning.
- Easy to Clean mirror finish stainless steel.
- Precision Water Systems is the only Water Distiller Manufacturer that is Certified in North America, under CSA (Canadian Standards Association)'s current stringent standards. Our units are CSA/UL Certified under Class Number: C2831-83 and C2831-53

Combine these outstanding features with the Optional Pump Kit (PWS APK-11) and Automatic Drain Kit (PWS AED-1), and your busy schedule gets a little easier.



PWS Sea SPECIFICATIONS*

Height	52 1/2"	133.4cm	Depth	19 3/4"	50.2cm
Width	18 1/2"	47cm	Weight	70 lbs	31.8kg
Volts	Amps	Hertz	Watts		
120v	13.2	60	1500		
220v**	7.0	50/60	1500		

* Specifications include Sight Gauge and Lid.
 ** For International 220V Countries only.

PWS Sea Water Distiller

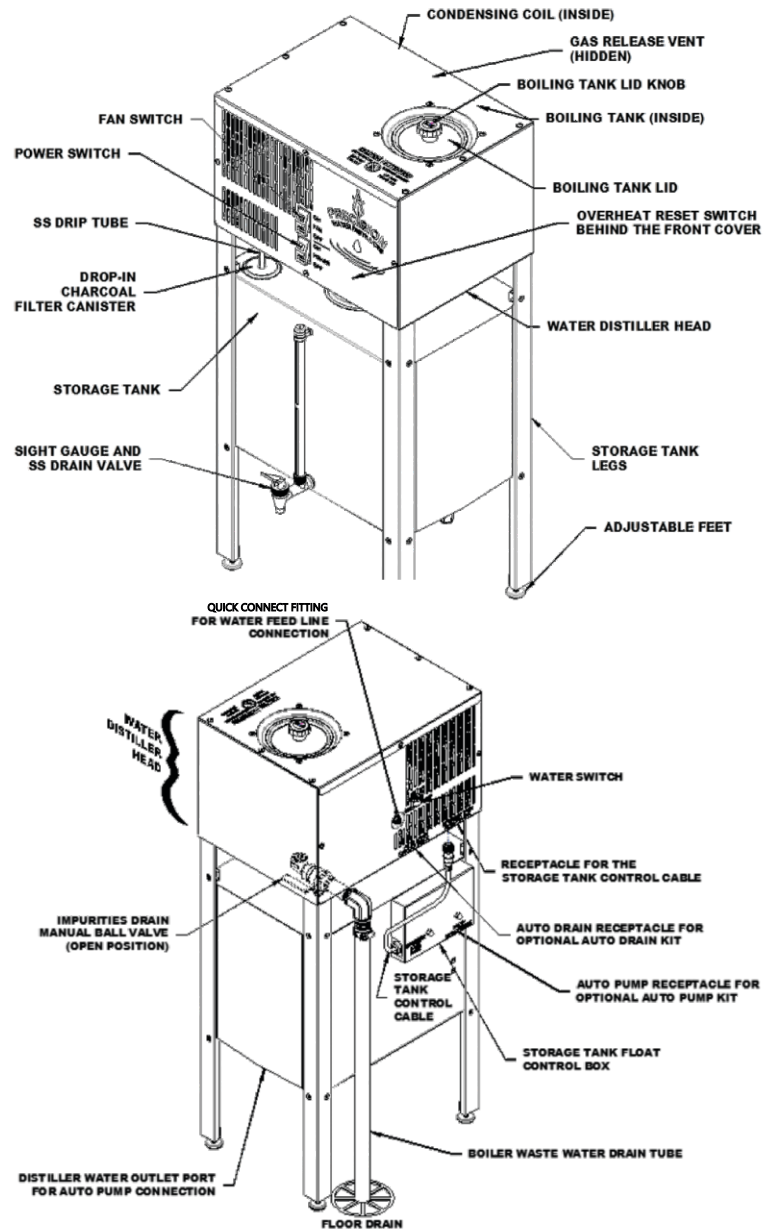
AUTOMATIC CONVENIENCE

The PWS Sea Water Distiller is a result of over 35 years of distillation manufacturing experience. Its features and benefits provide the very best water system for steam distilled drinking water. The PWS Sea provides safe pure water at home for a fraction of the cost of bottled water.

The PWS Sea Water Distiller duplicates nature's own method of purifying water. This highly reliable process for purifying water combines distillation with a high capacity activated carbon filter providing clean, great tasting water.

Your PWS Sea is the most advanced water distiller on the market today. They are designed with many user-friendly features:

1. Your water distiller is connected to your household water supply. The raw water feeds into the distiller through a 1/4" water line. This line is connected to a quick connect plumbing fitting. As the raw water enters the distiller it passes through the solenoid and then directly into the boiling chamber.
2. After the water reaches a level over the heating element, the distiller starts the heating cycle and brings the water to a boil. The pure steam rises and enters the baffle system which breaks down any foaming in the boiler that should occur.
3. Any volatile gases are released through a special gas release vent at the highest point in the cooling system. The pure steam passes through the condenser coil. To support the cooling cycle, a fan is used to properly cool the steam into Pure water.
4. Pure water enters the stainless steel charcoal filter. This filter is 2/3 filled with activated coconut charcoal, which should be changed every 2 months.
5. Finally distilled water leaves the charcoal filter and fills the stainless steel storage tank.
6. As the distilled water enters the storage tank, the water level lifts the pump control switch and activates the optional pump, if installed, to deliver distilled water to any combination of accessory faucet, ice maker, humidifier or multiple locations in your home.
7. The distiller will continue to run until the water reaches the top of the storage tank and lifts the float and turns itself off. As soon as the distiller shuts off, the automatic electric drain valve system, if equipped, automatically drains the impurities. As soon as you have used approximately 1/3 of the capacity of the storage tank the float will turn on the distiller and close the automatic drain valve, to fill the boiling tank and start the distilling cycle again.
8. The demand pump system, if equipped, plugs into the storage tank float box. The pump is protected by a built-in fuse and a low level shut off float.



FEATURES AND BENEFITS

- 💧 Seal protected switching
- 💧 Highly efficient, stainless steel finned coil
- 💧 Large 5" boiling and storage tank opening
- 💧 3/4" drain for easy draining of the boiling tank
- 💧 Stainless Pure Water Faucet
- 💧 Warranty • 2 year parts
• 15 year pro rated on stainless steel

Sea Model

Distilling Capacity: 12.0 US gal. (45.4 L)/24 hrs*
 Holding Tank Capacity: 20.0 US gal. (75.7 L)
 Shipping Weight: 78 lbs. (35.4 kg)
 Shipping Dimensions: 24"(61cm) x 20"(50.8cm) x 55"(139.7cm)

FOR MORE INFORMATION ABOUT OUR PRODUCT LINE, OPTIONAL FEATURES AND OUR EXCELLENT WARRANTY, CONTACT YOUR PRECISION WATER SYSTEMS REPRESENTATIVE

* Note: Performance based on optimum conditions including water temperature, ambient temperature, line voltage, boiling tank cleanliness, boiler fill level, etc. Specifications are subject to change without notice. 220v models are not CSA/UL certified & are available only for countries with 220V current.



Manufactured by:
 Precision Design & Manufacturing Inc.
 9020 100 Street, Westlock Alberta
 Canada T7P 2L4
 email: info@precisioncanada.com
 web site: precisionwatersystems.ca