

LID GASKET REPLACEMENT KIT #100068

Please read complete instructions before replacing components.

Parts Included

Part #	Qty	Description
100068	1	BOILING TANK LID GASKET SILICO

Tools Required

Red Robertson Screwdriver
#1 Phillips Screwdriver

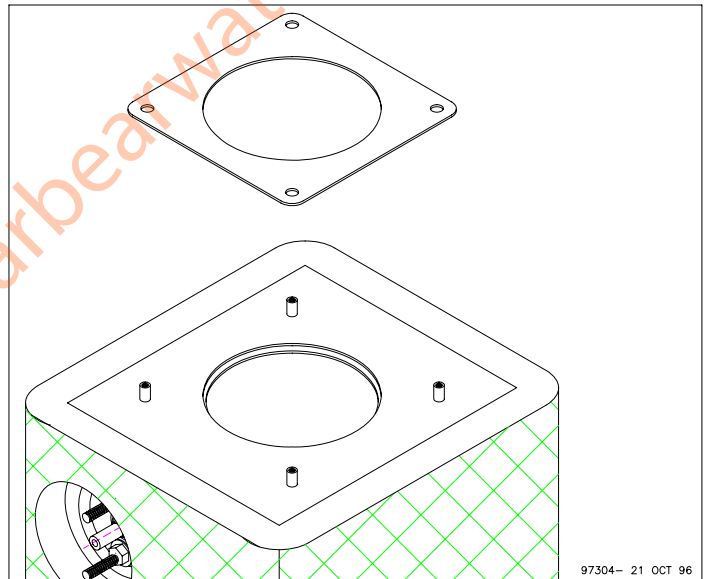
Assembly Instructions

1. Turn main power switch on distiller off and unplug cord from wall plug.

2. Drain the boiler tank. **CAUTION: DRAIN VALVE MAY BE VERY HOT.** Wait at least 1 hour for distiller to cool.

3. Remove distiller covers by removing the screws. On a 26-CT, 26D-8, 26C-8 or 26-14, this will require disconnecting the feed line and removing the brass feed line fitting at the back of the distiller. **ENSURE SADDLE VALVE IS CLOSED BEFORE DISCONNECTING FEED LINE.**

4. Remove boiling tank lid.



5. Remove the old lid gasket and replace it with the new gasket.

6. Replace distiller covers and boiling tank lid. Replace feed line connection fitting and feed line (if it was removed). Open saddle valve.

The distiller should now operate properly. If it does not, we suggest you take your distiller to an authorized service representative.