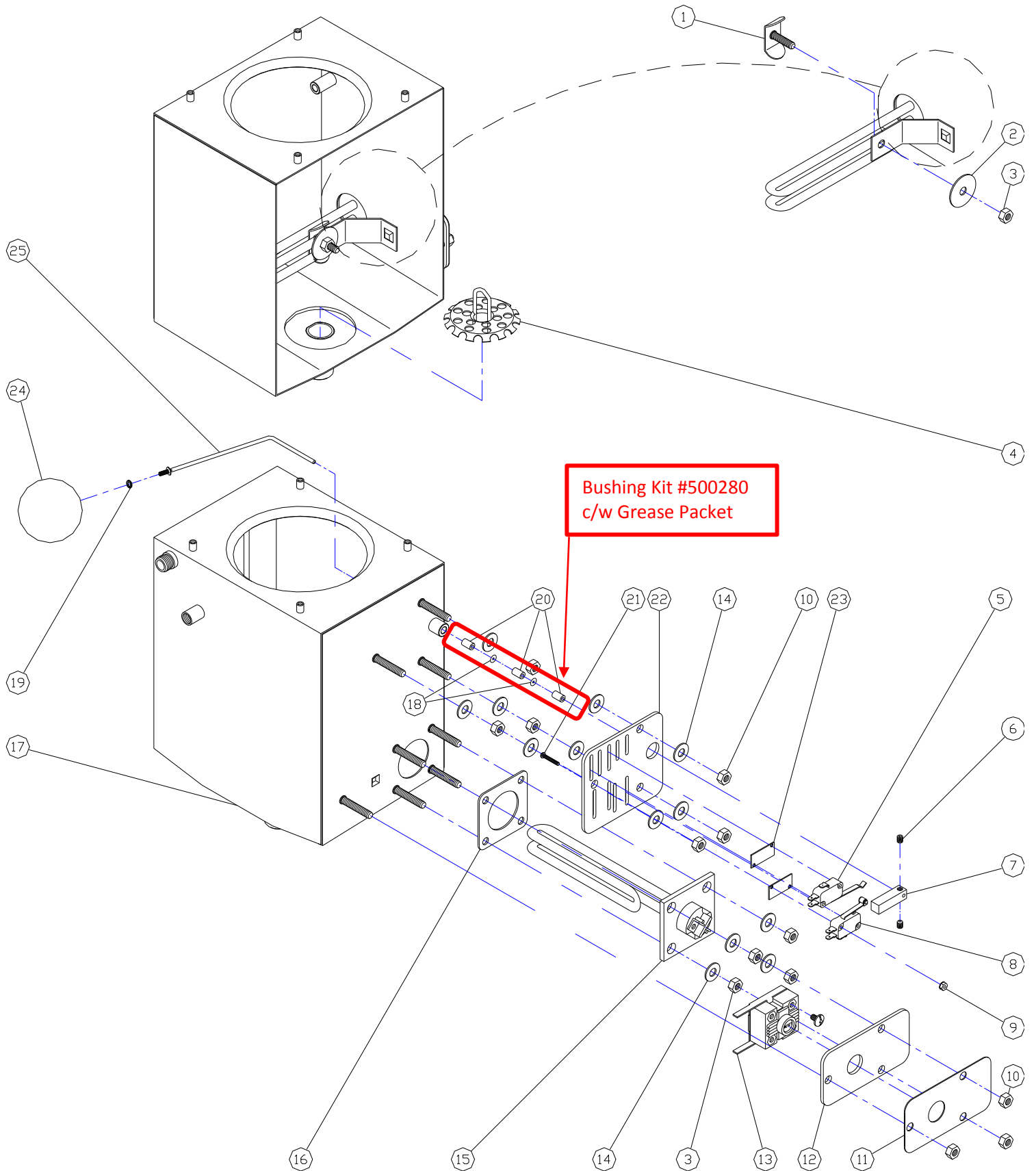


FLOAT ROD BUSHING KIT REPLACEMENT

PART # 500280

- Remove front cover
- Loosen set screws on actuator bar
- Remove actuator bar
- Remove float rod with old bushings and o-rings (May have to push out from the inside towards the front)
- Clean float rod and insure that the channel is clean as well
- Use the grease provide with bushing kit and grease bushing, o-rings and rod well
- Install onto rod: Bushing/O-ring/Bushing/O-ring/Bushing
- Use float rod to install from front
- Carefully pull out rod while holding the bushings in the channel and re-install rod from the inside of the tank
- While installing, hold the front bushing in place with your fingers
- Re-install actuator bar with float ball resting inside the tank, on the element, slightly push down on the actuator bar until the arm of the microswitch is resting on the body of the microswitch (switch button will be depressed)
- While holding down actuator bar in the positions stated above, tighten both set screws securely. Use a flat head screwdriver (or equivalent) as a spacer to keep the actuator bar away from the channel, should be approximately .037 (1/25) of an inch
- Check operation by lifting float by hand & gently lowering back down.
- Connect power and water. Let unit run through a cycle while watching the water level in the tank. Fan should turn on with approximately 1 – 1.5” of water over the element and water flow should stop at approximately ½ to 2/3 full
- Adjust level if required (disconnect power while adjusting)
- Re-Install front cover



094110, Exploded Parts List Boiler Assembly, 8GPD Automatic

Item #	Part #	Description	Qty
1	500182	Clip, Heater, Studded	1
2	018009	Washer, 5/16" X 1-1/4" X 18ga SS	1
3	025000	Nut, Hex, 1/4" SS	5
4	500208	Drain Strainer WA	1
5	060059	Micro Switch, Long Arm, Formed	1
6	016035	Set Screw, SS, #10-32 X .25", Cup Point	2
7	530333	Bar Actuator, Boiler Float	1
8	060058	Microswitch, Short Roller Arm	1
9	026003	Nut, Kep, #4-40	4
10	025002	Nut, Hex, 1/4" Plated	9
11	500153	Cover, Reset, SS	1
12	400010	Reset Plate, Lexan	1
13	060000	Switch, Thermo-Reset	1
14	018004	Washer, 5/16" X 11/16" X 20ga SS	13
15	060001	Heating Element, 120V, 1100W	1
	060002	Heating Element, 240V, 1100W	1
16	500100	Gasket, Heater	1
17	500269	Boiler WA, 8GPD Auto	1
18	080128	O-Ring, 1/16" X 1/8" X 1/4"	2
19	020002	Washer, Lock, SS, M3.5, External Tooth	1
20	080127	Bushing, Teflon, 1/4" X 1/8"	3
21	012003	Screw, Machine, Plated, #4-40 X 3/4"	4
22	500266	Plate, Microswitch	1
23	500289	Shim, Micro Switch	2
24	080162	Float Ball, SS, 2-1/4" Round, #6-32	1
25	500398	Rod WA, Boiler Float, Auto	1