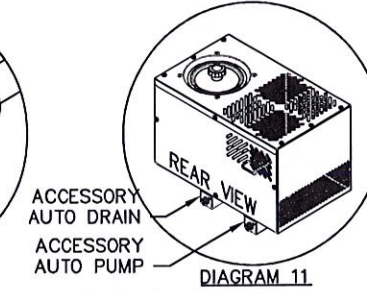
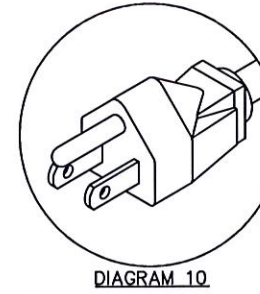
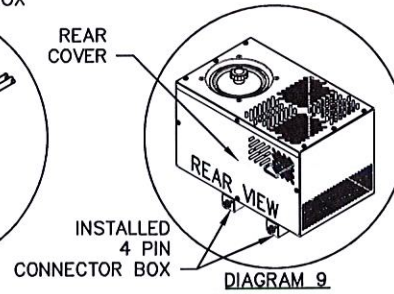
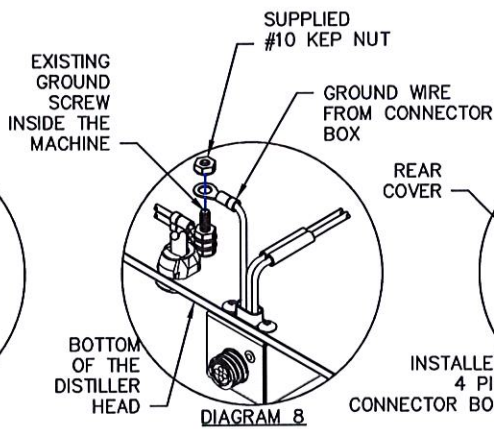
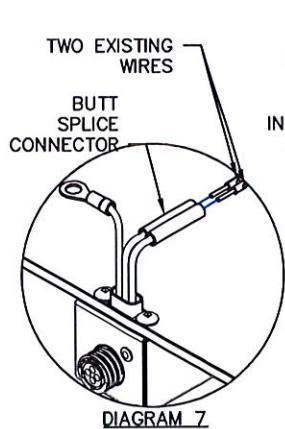
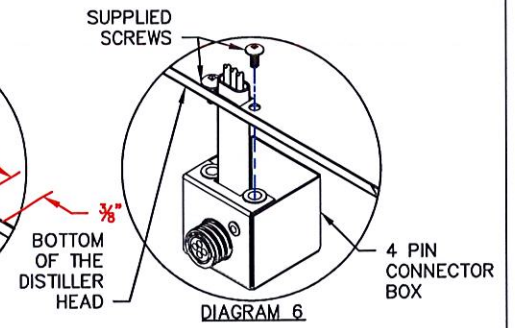
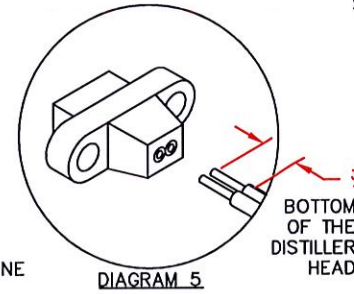
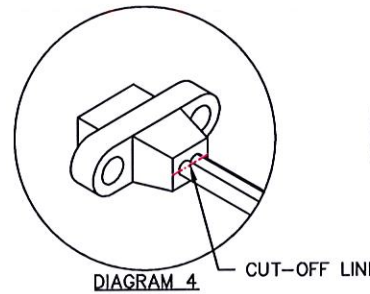
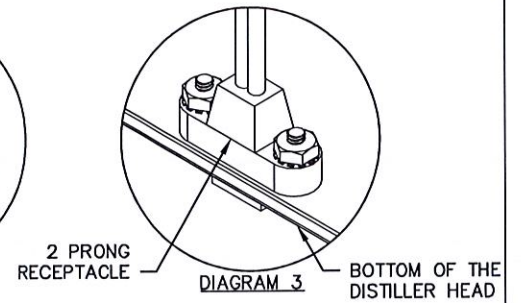
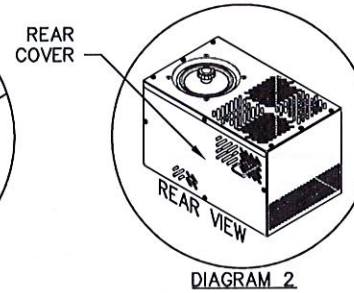


PROCEDURE:

1. UNPLUG DISTILLER FROM POWER OUTLET AND ALLOW THE DISTILLER TO COOL DOWN.
2. REMOVE THE REAR COVER FROM THE DISTILLER HEAD.
3. REMOVE THE 2 PRONG RECEPTACLE FROM THE BACK OF THE DISTILLER (SEE DIAGRAM 3).
4. CUT-OFF THE 2 PRONG RECEPTACLE (SEE DIAGRAM 4).
5. STRIP THE TWO EXISTING WIRES BACK BY 3/8" (SEE DIAGRAM 5).
6. CONNECT THE RETROFIT 4 PIN CONNECTOR BOX TO THE EXISTING MOUNT HOLES (SEE DIAGRAM 6).
7. RECONNECT THE TWO EXISTING WIRES FROM STEP 5 BY CRIMPING INTO THE TWO BUTT SPLICE CONNECTORS (SEE DIAGRAM 7).
8. GROUND THE GREEN WIRE FROM THE CONNECTOR BOX INTO THE EXISTING GROUND SCREW IN THE DISTILLER HEAD WITH THE SUPPLIED #10 KEP NUT (SEE DIAGRAM 8).
9. REINSTALL THE REAR COVER (SEE DIAGRAM 9).
10. PLUG IN THE DISTILLER (SEE DIAGRAM 10).
11. THE 4 PIN CONNECTOR RECEPTACLE IS READY TO USE WITH THE ACCESSORIES PUMP OR AUTO DRAIN (SEE DIAGRAM 11).



ALL DIMENSIONS IN INCHES (mm)			
TOLERANCES			
DECIMALS	RMS	FRACTIONS	
.X ±0.05	500	XX-X/X ±1/16	
.XX ±0.02	250	X-X/X ±1/32	
.XXX ±0.005	125	X/X ±1/64	
T.I.R. ±0.010	THD ±1 TURN	∠ ±1°	

**Retrofit Kit #500531
Instructions Sheet**



No.	Part Number	Description	Qty.	MATERIAL:		AMADA#:	NEXT ASSY #:	OPERATION: INSTRUCTIONS SHEET		SCALE: NTS	BY: VAN	CHK:	DATE: 10.07.19	PART NO. .	DWG. NO. 500531,InstructionsSheetA	REV
						(FINISHED GOODS #):										