

LIFEMIST ELITE WATER DISTILLER

REPLACEMENT PARTS MANUAL AND WIRING SCHEMATIC

FOR MODEL: ELITE, LM-AED-1 & LM-APK-1
 PART # 510007 500035 500034
 SERIES 0016 0002 0001

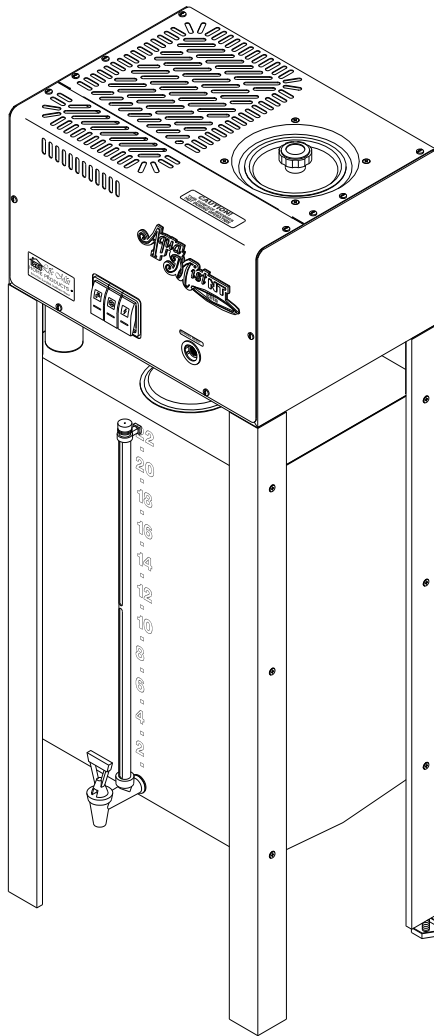


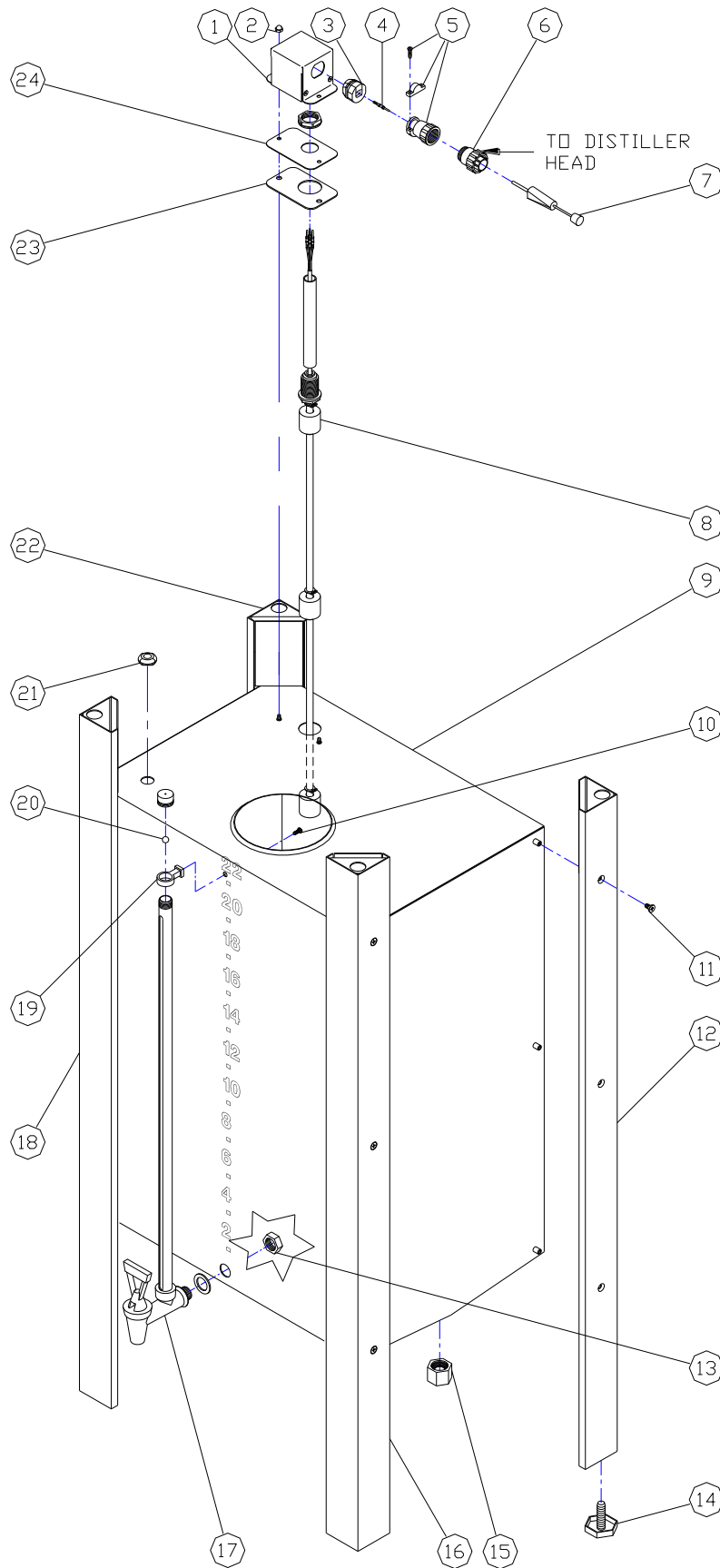
TABLE OF CONTENTS

	<u>Page</u>
1. 094337 Holding Tank Assembly, 20 Gallons, LM	4 & 5
2. 094296 Boiler Assembly, 12GPD Automatic	6 & 7
3. 094297 Distiller Body Assembly, 12GPD, Automatic	8 & 9
4. 094298 12GPD Solenoid Valve Assembly	10 & 11
5. 094299 Distiller Head Assembly, 12GPD Automatic	12 & 13
6. 094162 Boiling Tank and Holding Tank Lid Assemblies	14 & 15
7. 094300 Automatic Electric Drain Assembly, 12GPD	16 & 17
8. 094301 Automatic Pump Assembly, APK-1	18 & 19
9. 094109 Electrical Terminals	20 & 21
10. 510126 Wiring Schematic	22 & 23

094337, Exploded Parts List Holding Tank Assembly, 20 Gallons, LM

Item #	Part #	Description	Qty
1	500382	Cover, Holding Tank Wires	1
2	028001	Nut, Acorn, Plated, #6-32	2
3	054002	Strain Relief, 7K-2	1
4	060016	Male Pin	4
5	060045	Strain Relief, 7 pin, Circular	1
6	060043	Plug, 7 pin, Circular	1
7	080135	Circular Pin Extraction Tool	1
8	500356	HT, 25", MLS Assembly, SS Stem	1
9	530126	Holding Tank WA, 20 Gallons, LM	1
10	012013	Screw, Machine, SS, #10-24 X 3/8"	1
11	012008	Screw, Machine, #10-24 X 3/8", Oval Head	12
12	510141	Leg, Right Rear, 20 Gallons Tank	1
13	080132	Nut, Jam, 3/8" Black	1
14	080126	Appliance Foot, 5/16" X 1-1/2"	2
15	034023	Cap, Gray, 1/2" FPT	1
16	510143	Leg, Right Front, 20 Gallons Tank	1
17	080123	Valve, HT, 23" (includes nut, washer & support)	1
18	510142	Leg, Left Front, 20 Gallons Tank	1
19	080131	Support, SG, 3/4" Black	1
20	080217	Ball, Red, Level, Indicator	1
21	080181	Grommet, 3/8" ID, 5/8" Hole, Black	1
22	510140	Leg, Left Rear, 20 Gallons Tank	1
23	500326	Gasket, Level Sensor	1
24	500325	Plate, Level Sensor	1

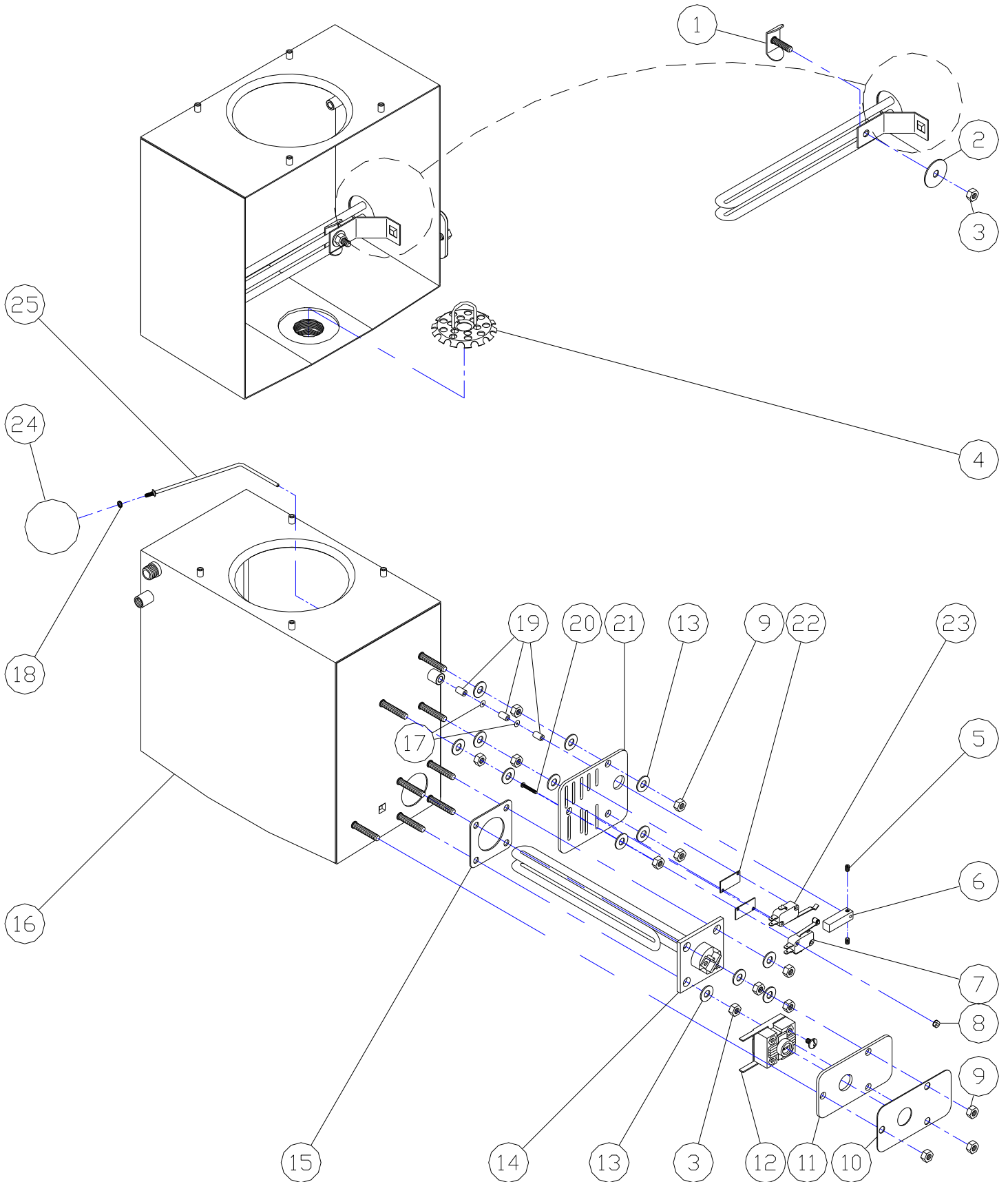
094337, Exploded Parts List Holding Tank Assembly, 20 Gallons, LM



094296, Exploded Parts List Boiler Assembly, 12GPD, Automatic

Item #	Part #	Description	Qty
1	500182	Clip, Heater, Studded	1
2	018009	Washer, 5/16" X 1-1/4" X 18ga SS	1
3	025000	Nut, Hex, SS, 1/4"-20	5
4	530124	Drain Strainer WA, 1" Coupler	1
5	016014	Set Screw, Black, #6-32 X .25", Cup Point	2
6	500278	Bar Actuator, Boiler Float	1
7	060058	Microswitch, Short Roller Arm	1
8	026003	Nut, Kep, Plated, #4-40	4
9	025002	Nut, Hex, Plated, 1/4"-20	9
10	500153	Cover, Reset, SS	1
11	400010	Reset Plate, Lexan	1
12	060000	Switch, Thermo-Reset	1
13	018004	Washer, 5/16" X 11/16" X 20ga SS	11
14	060003	Heating Element, 120V, 1500W	1
15	500100	Gasket, Heater	1
16	530106	Boiler Tank WA, 12GPD, 316	1
17	080128	O-Ring, 1/16" X 1/8" X 1/4"	2
18	020002	Washer, Lock, SS, M3.5, External Tooth	1
19	080127	Bushing, Teflon, 1/4" X 1/8"	3
20	012003	Screw, Machine, Plated, #4-40 X 3/4"	4
21	500266	Plate, Microswitch	1
22	500289	Shim, Micro Switch	2
23	060059	Micro Switch, Long Arm, Formed	1
24	080162	Float Ball, SS, 2-1/4" Round, #6-32	1
25	500398	Rod WA, Boiler Float, Auto	1

094296, Exploded Parts List Boiler Assembly, 12GPD, Automatic

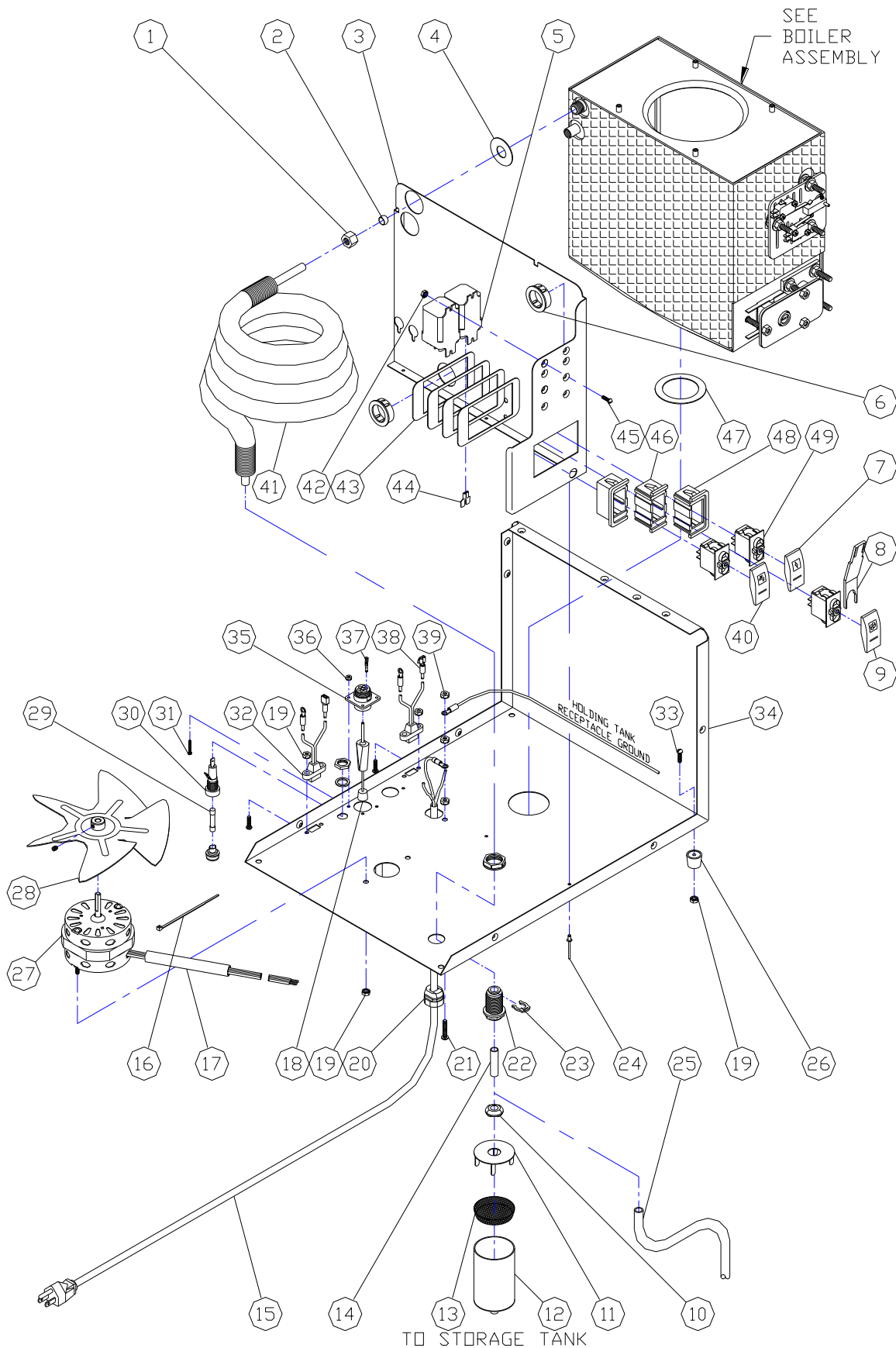


094297, Exploded Parts List Distiller Body Assembly, 12GPD, Automatic

Item #	Part #	Description	Qty
1	030013	Nut, Plated, 3/8" Compression	1
2	030012	Ferrule, 3/8"	1
3	530111	Divider, 12GPD, LM	1
4	018023	Washer, Flat, 5/8" X 1-1/2", 20ga SS	1
5	060020	Relay, Shrack, DPDT, 120V	2
6	054004	Bushing, Snap, 1-1/4"	2
7	060073	Actuator, Black, Red-Power	1
8	080134	Tool, Actuator Removal	1
9	060074	Actuator, Black, Amber-Fan	1
10	080181	Grommet, 3/8"ID, 5/8" Hole, Black	1
11	500260	Filter Cap WA,	1
12	500300	Filter, Housing, WA, Auto	1
13	530241	Screen, SS, 2-1/2", 32WPI	1
14	500202	Tube, SS, 3/8" Diameter X 1.5"	1
15	510121	Power Cord Assembly, 14-3 NA, 12GPD Automatic	1
16	054011	Wire Tie, Plastic, 4"	Ref.
17	080108	Sleeve, Fiberglass, 1/2"	0.354'
18	080135	Circular Pin Extraction Tool	1
19	026001	Nut, Kep, Plated, #8-32	10
20	054002	Strain Relief, 7K-2	1
21	012000	Screw, Machine, Plated, #10-24 X 1"	1
22	034011	Bulkhead, 3/8" JG	1
23	034021	Locking Clip, 3/8" JG	1
24	016004	Rivet, Aluminum, 1/8" X 5/16"	5
25	052002	Tubing, PVC, 5/16" X 7/16"	2'
26	054010	Leg, 3/4" OD X 5/8" High	4
27	510122	Motor Assembly, 120V, 12GPD, Auto	1
28	080046	Fan Blade, 8"	1
29	060022	Fuse, 1 Amp, Slow Blow	1
30	060036	Fuse Holder, Chassis, 15Amp (includes nut & gasket)	1
31	012003	Screw, Machine, Plated, #4-40 X 3/4", Round/Socket	2
32	510123	Pump Receptacle Assembly, 12GPD, Auto	1
33	012012	Screw, Machine, Plated, #8-32 X 5/8"	8
34	530107	Body, 12GPD, LM	1
35	060044	Receptacle, 7 pin Receptacle	1
36	026003	Nut, Kep, Plated, #4-40	2
37	060017	Female Pin	4
38	510124	Drain Receptacle Assembly, 12GPD, Auto	1
39	026000	Nut, Kep, Plated, #10-24	3
40	060075	Actuator, Black, White-Water	1
41	510135	Cooling Coil Assembly, 12GPD, Auto	1
42	026002	Nut, Kep, Plated, #6-32	4
43	500318	Shim, Switch Bezel	4
44	066013	Tab Adapter, F250	1
45	012009	Screw, Machine, Plated, #6-32 X 1/2"	4
46	054024	Switch Mounting Panel, Middle, Black	1
47	018026	Washer, Flat, 1.781" X 2.5", 20ga SS	1
48	054023	Switch Mounting Panel, End, Black	2
49	060028	Switch Base, 120/240V SPST	3

094297, Exploded Parts List

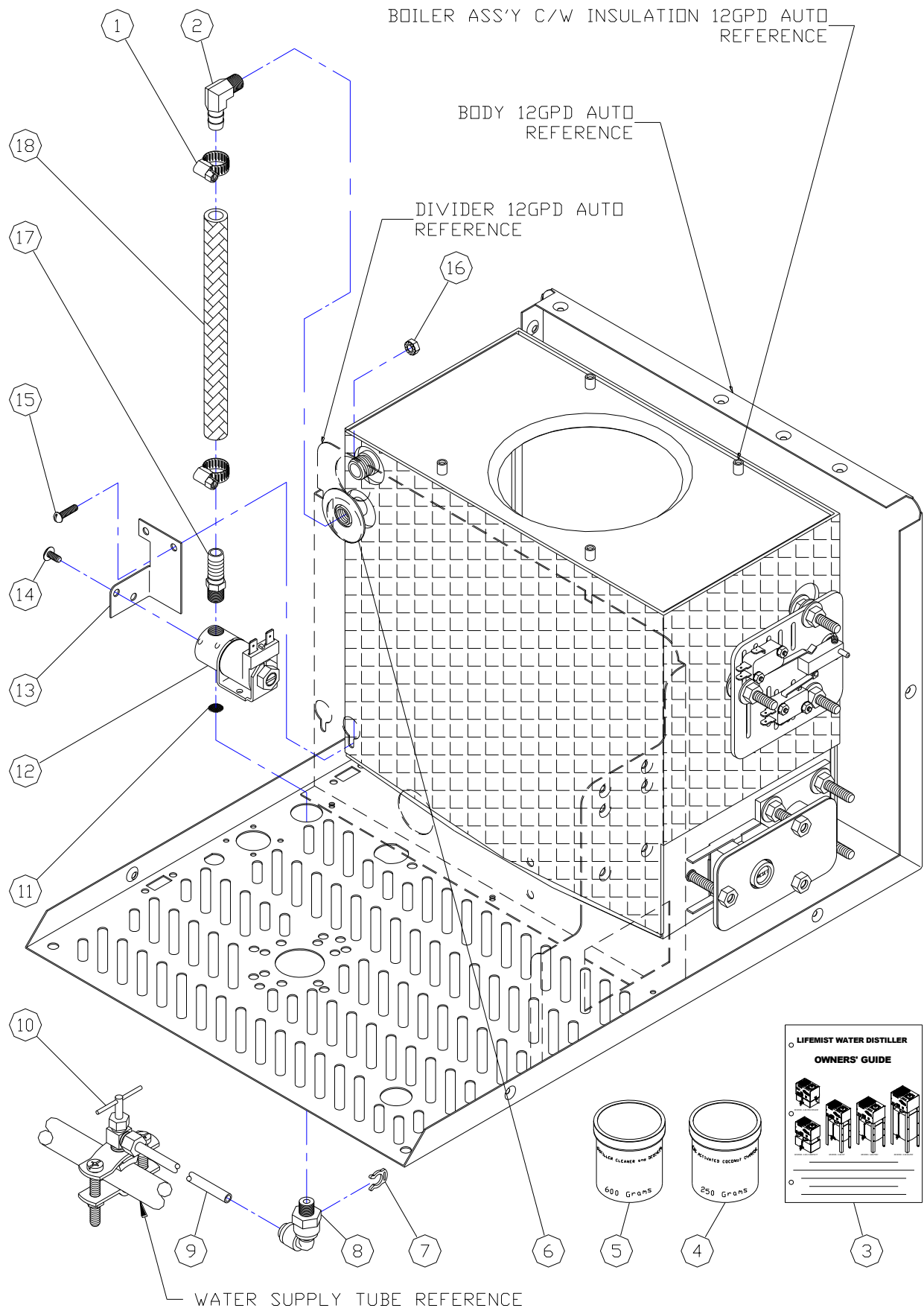
Distiller Body Assembly, 12GPD, Automatic



094298, Exploded Parts List 12GPD Solenoid Valve Assembly

Item #	Part #	Description	Qty
1	080056	Gear Clamp, SS, 1/4"	2
2	030003	Elbow, 90 Degree, 1/8"MPT X 3/8"HB	1
3	097084	Owners Guide, Lifemist Distiller	1
4	530160	Charcoal, LM, 250g Jar Of	1
	530161	Charcoal, LM, 600g Jar Of	Ref.
5	530162	Descaler, LM, 600g Jar Of	1
	530163	Descaler, LM, 1.6Kg Jar OF	Ref.
6	018023	Washer, Flat, 5/8" X 1-1/2" X 20ga, SS	1
7	034009	Locking Clip, 1/4"JG	1
8	034057	Elbow, 90, 1/8"MPT X 1/4"JG Swivel	1
9	052000	Tubing, 1/4" Feed-line	16'
10	036005	Valve, Self Piercing Kit	1
11	080197	Screen, 50 Mesh, Solenoid Valve	1
12	060026	Solenoid Valve, 1/8"FPT BE, 120V	1
13	500469	Bracket, Brass Solenoid Valve	1
14	012017	Screw, Machine, SS, #8-32UNC X 3/8"	2
15	012012	Screw, Machine, Plated, #8-32 X 5/8"	2
16	026001	Nut, Kep, Plated, #8-32UNC	2
17	034024	Coupler, Nylon, 1/8"MPT X 3/8"HB	1
18	052004	Tubing, 3/8" X 0.6" Braided	0.56'

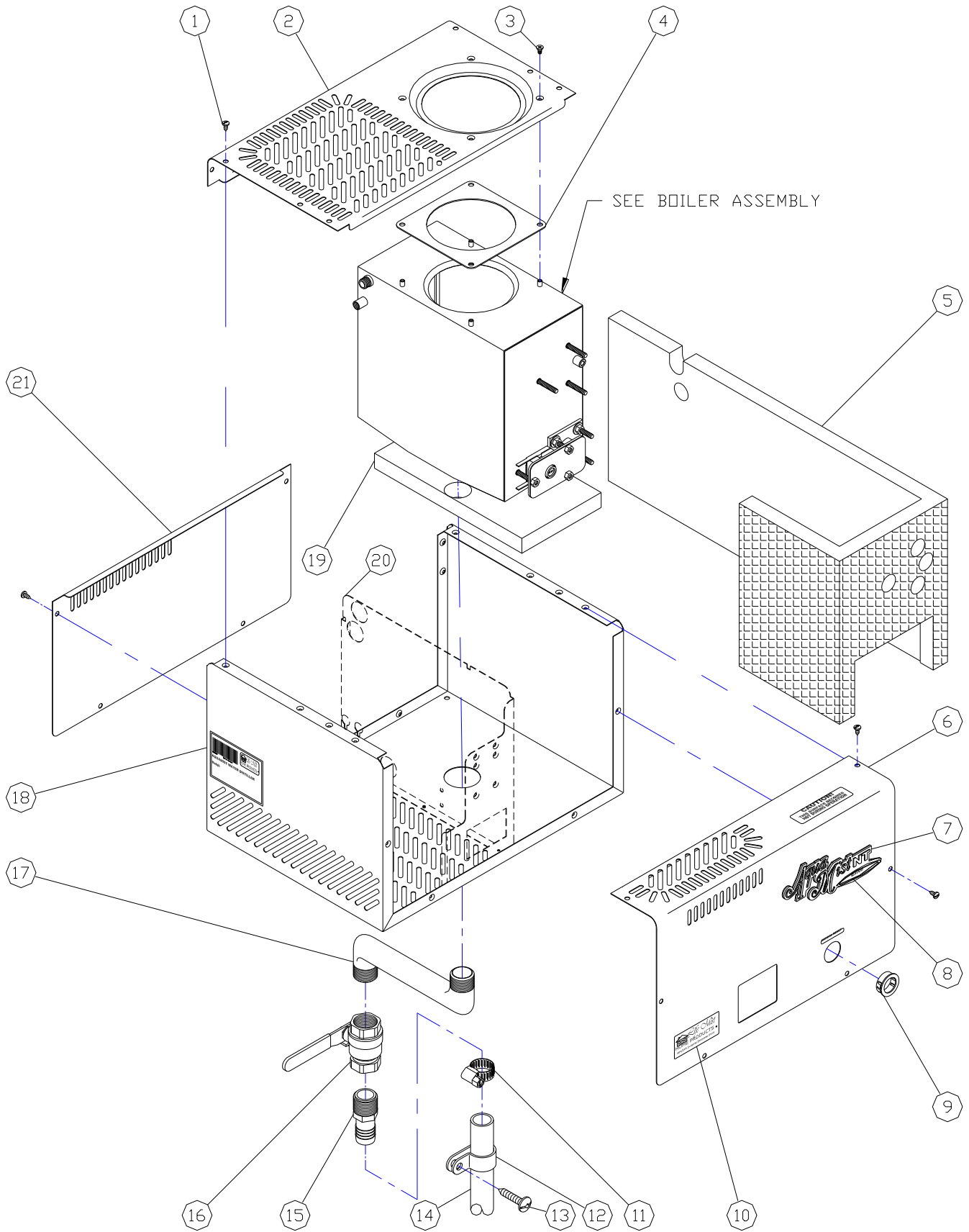
094298, Exploded Parts List 12GPD Solenoid Valve Assembly



094299, Exploded Parts List Distiller Head Assembly, 12GPD Automatic

Item #	Part #	Description	Qty
1	010000	Screw, Sheet Metal, SS, #10-12 X 1/2"	18
2	530110	Cover, Top, 12GPD, LM	1
3	012008	Screw, Machine, #10-24 X 3/8", Oval Head	4
4	500111	Gasket, Lid	1
5	530153	Insulation, 12GPD LM Boiler, Sides	1
6	530108	Cover, Front, 12GPD, LM	1
7	080210	Nameplate, Plastic, Lifemist NT	1
8	080216	Urocal, Elite	1
9	054004	Bushing, Snap, 1.25"	1
10	080211	Urocal, Lifemist NT	1
11	080121	Clamp, Gear, 1-1/4"	1
12	054020	Clamp, Cable, Nylon, Wall Mount, 1.25"	1
13	010008	Screw, Sheet Metal, Plated, #10-12 X 1"	1
14	052005	Tubing, 1" X 1-1/4"	4'
15	034039	Coupler, Nylon, 1"MPT X 1"HB	1
16	030028	Valve, Ball, Brass, 1"FPT, FF	1
17	030040	Drain Line, "Z", Plated, 1"MPT BE X7"	1
18	530107	Body, 12GPD, LM	1
19	530154	Insulation, 12GPD LM Boiler, Bottom	1
20	530111	Divider, 12GPD, LM	1
21	530109	Cover, Rear, 12GPD, LM	

094299, Exploded Parts List Distiller Head Assembly, 12GPD, Automatic

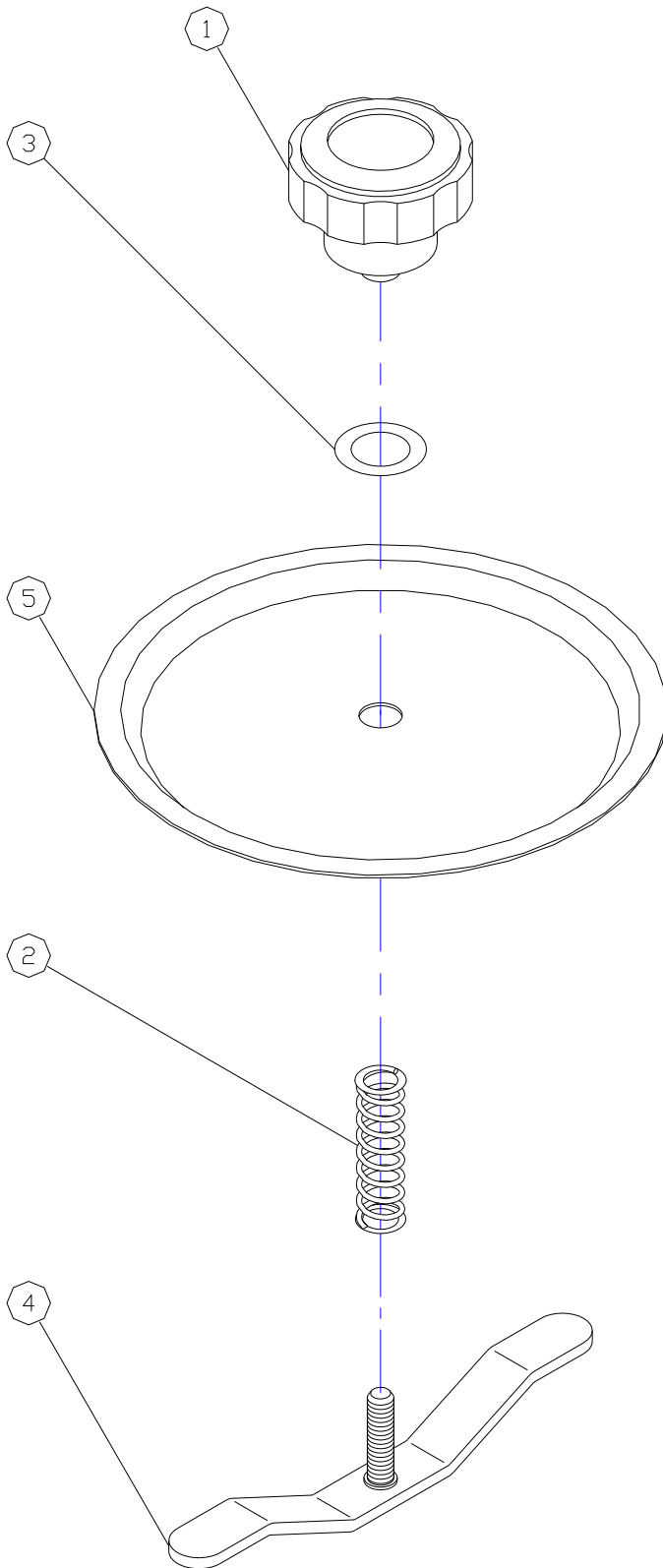


094162, Exploded Parts List Boiling Tank and Holding Tank Lid Assemblies

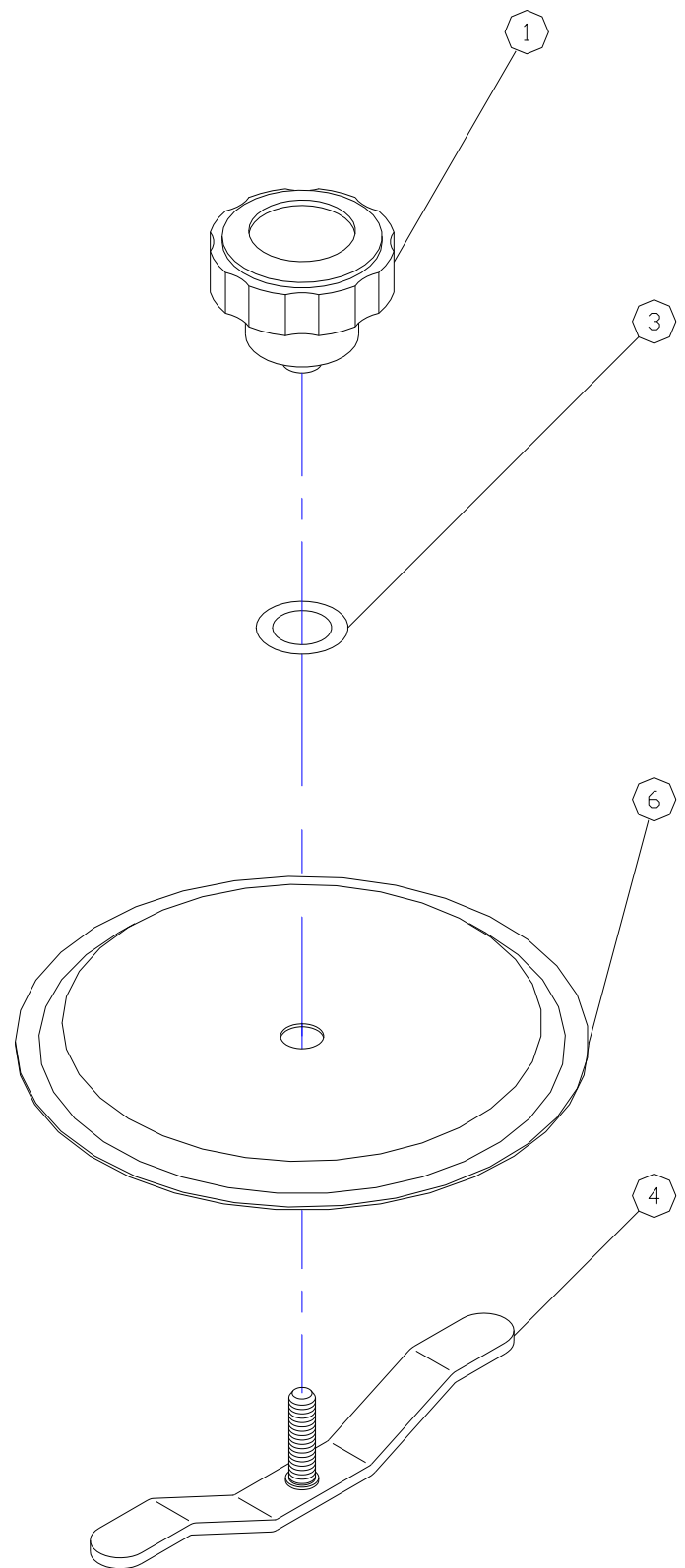
Item #	Part #	Description	Qty
1	080053	Knob, Black Phenolic, ¼-20	2
2	080058	Spring, Boiling Tank, Lid, SS	1
3	080064	O-Ring, Lid Knob, Buna 112	2
4	500115	Tee Bar, Studded, 5.5"	2
5	500118	Lid, Boiling Tank, Disc, SS, 5.5"	1
6	500119	Lid, Holding Tank, Disc, SS, 5.5"	1

094162, Exploded Parts List

Boiling Tank and Holding Tank Lid Assemblies



BOILING TANK
LID ASSEMBLY
(PART # 500319)

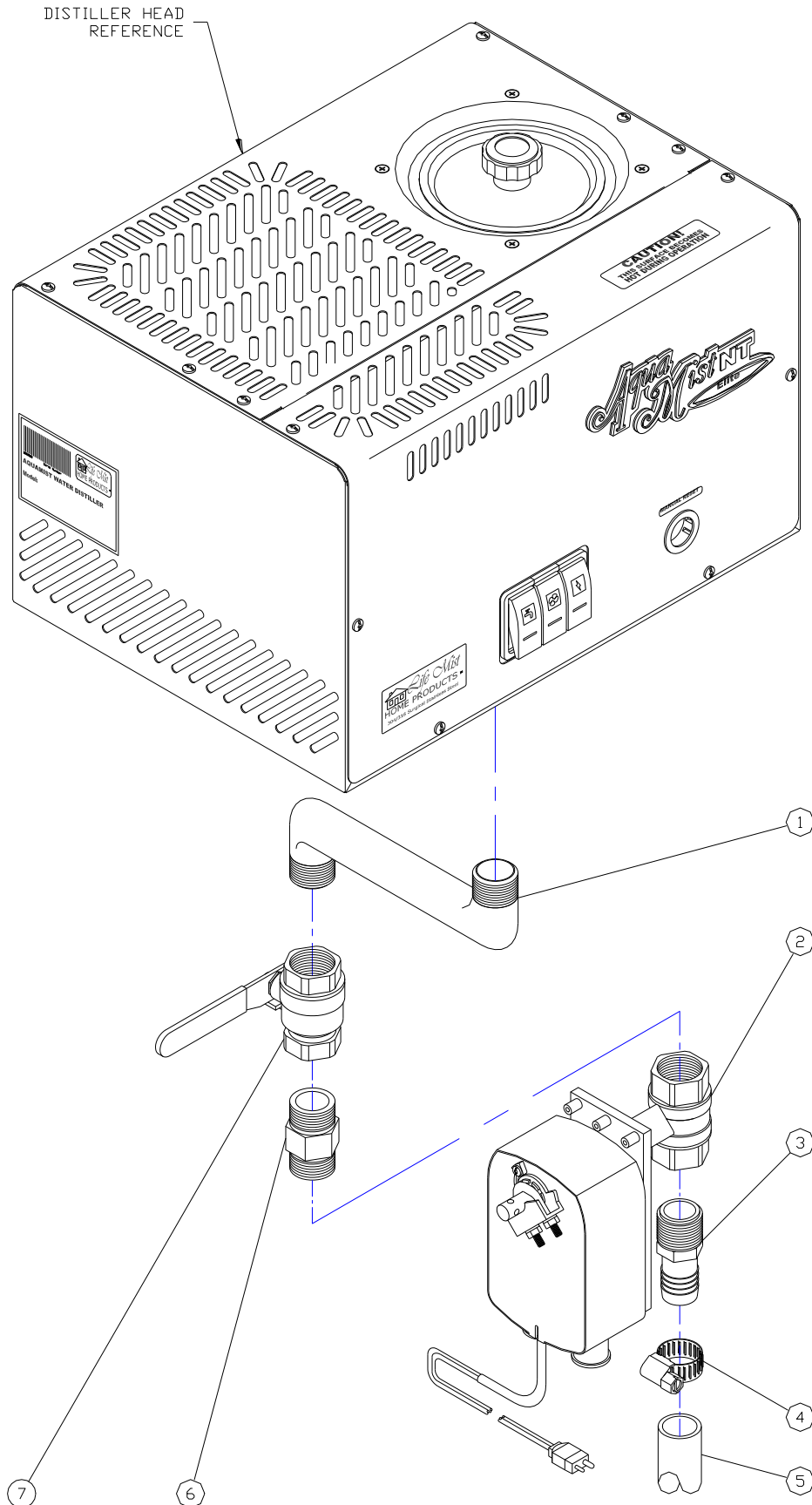


HOLDING TANK
LID ASSEMBLY
(PART # 500320)

094300, Exploded Parts List Automatic Electric Drain Assembly, 12GPD

Item #	Part #	Description	Qty
1	030040	Drain Line, "Z", Plated, 1"MPT BE X 7"	1
2	500448	Motorized Ball Valve, w/Cord, 115V	1
3	034039	Coupler, Nylon, 1"MPT X 1"HB	1
4	080121	Clamp, Gear, 1-1/4"	1
5	052005	Tubing, 1" X 1-1/4"	4'
6	030030	Nipple, Hex, 1"MPT Both Ends	1
7	030028	Valve, Ball, Brass, 1"FPT, FF	1

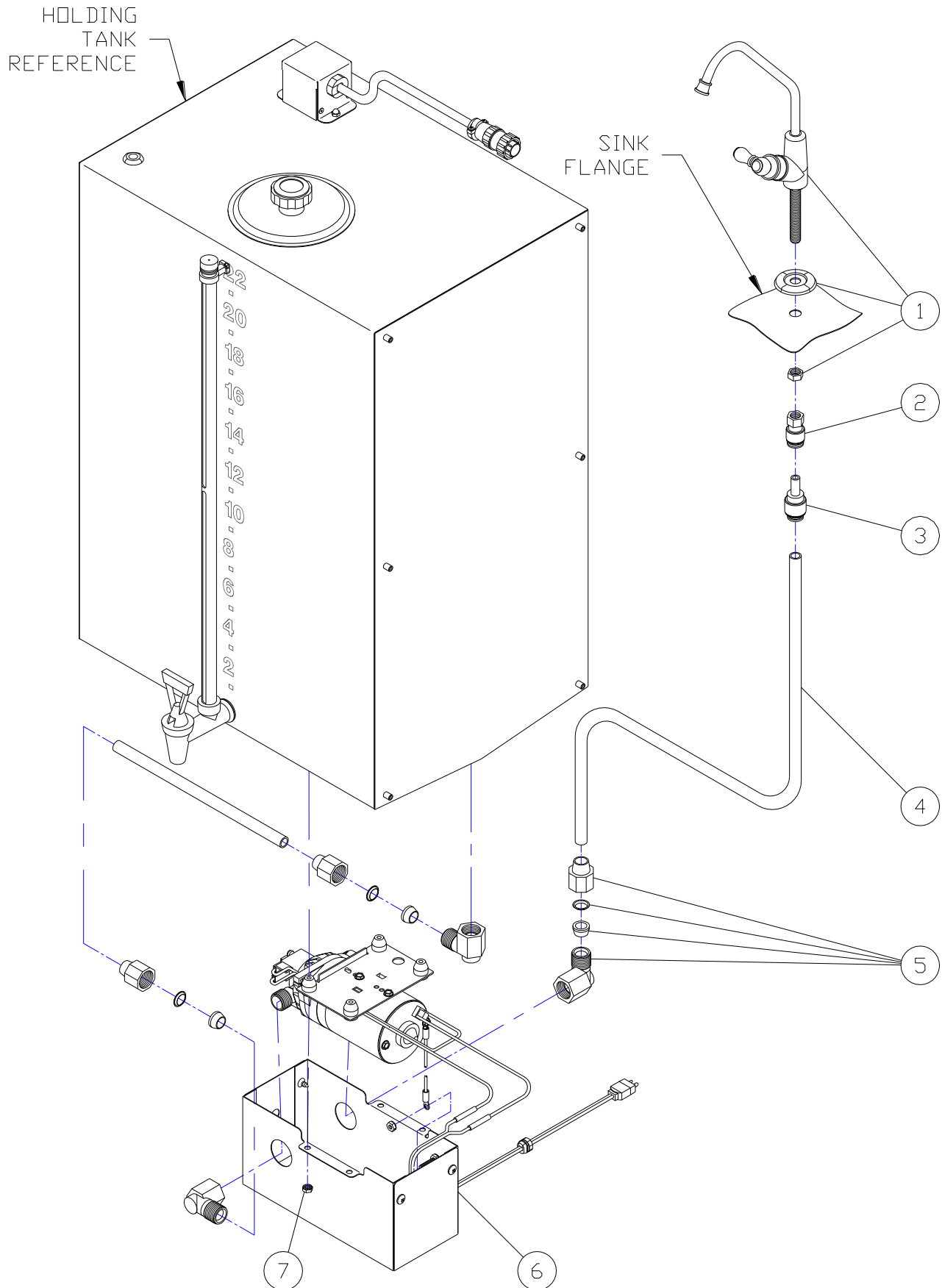
094300, Exploded Parts List Automatic Electric Drain Assembly, 12GPD



094301, Exploded Parts List Automatic Pump Assembly, APK-1

Item #	Part #	Description	Qty
1	080365	Faucet, Chrome, 71/6"-24UNSF Shank	1
2	034102	Coupler, 7/16"-24UNSF X 3/8"JG	1
3	034103	Coupler, 3/8" Stem X 1/2"JG	1
4	052001	Tubing, LDPE, 3/8" X 1/2"	25'
5	034002	Elbow, 90 Degree, 1/2"FPT X 1/2"OD Tube	3
6	500358	Pump Ass'y, W/Cord, 1.4GPM, 120V, 2P	1
7	026000	Nut, Kep, Plated, #10-24	4

094301, Exploded Parts List Automatic Pump Assembly, APK-1

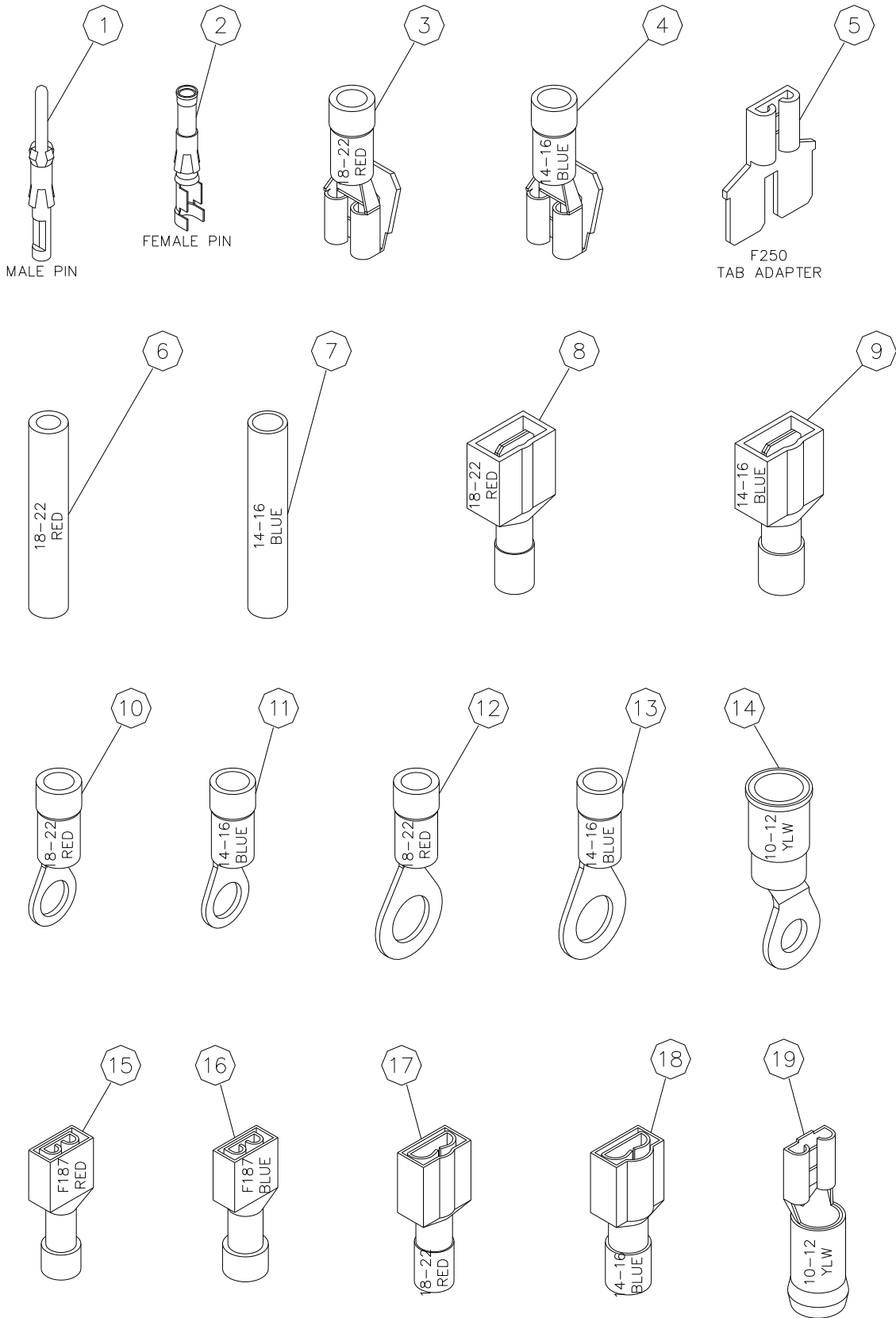


094109, Exploded Parts List Electrical Terminals

Item #	Part #	Description
1	060016	Pin, Male, Circular
2	060017	Pin, Female, Circular
3	066014	Receptacle, Pigg, F250, #18-22 AWG, Red
4	066004	Receptacle, Pigg, F250, #14-16 AWG, Blue
5	066013	Tab Adapter, F250
6	066006	Butt Splice, #18-22 AWG, Red
7	066005	Butt Splice, #14-16 AWG, Blue
8	066012	Tab, 250, #18-22 AWG, Red
9	066011	Tab, 250, #14-16 AWG, Blue
10	066008	Ring, #10, #18-22 AWG, Red
11	066007	Ring, #10, #14-16 AWG, Blue
12	066010	Ring, 1/4", #18-22 AWG, Red
13	066009	Ring, 1/4", #14-16 AWG, Blue
14	066016	Ring, #10, #10-12 AWG, Yellow
15	066003	Receptacle, F187, #18-22 AWG, Red
16	066001	Receptacle, F187, #14-16 AWG, Blue
17	066002	Receptacle, F250, #18-22 AWG, Red
18	066000	Receptacle, F250, #14-16 AWG, Blue
19	066015	Receptacle, F250, #10-12 AWG, Yellow

094109, Exploded Parts List

Electrical Terminals



Wiring List, LM 12GPD, PART # 510126

No.	Part#	Color	Ga	Length	From Conn.	ToConn.	From Location	To Location
1	510121	GRN	16	3"	#10RING #14-#16	POWER CORD	GROUND	POWER CORD
2	510121	BLK	16	17.5"	F250 #14-#16	POWER CORD	POWER SWITCH #2	POWER CORD
3	510121	WHT	16	18.5"	#10RING #14-#16	POWER CORD	RESET SWITCH #4	POWER CORD
4	510122	BLKor	18	12"	PIGG#18-#22&F250#18-#22	FAN MOTOR (ORG/BLU)	HEATER RELAY #4	FAN MOTOR
5	510122	BLKor	18	12"	F250 #18-#22&PIGG#18-#22	FAN MOTOR (YLW/WHT)	FAN SWITCH #2	FAN MOTOR
6								
7								
8								
9	095001	BLK	16	7"	#10RING #14-#16	F187 #14-#16	RESET SWITCH #1	Lower Microswitch COM
10	095033	GRN	16	23"	PIGG #14-#16	F250 #14-#16	HEATER RELAY "B"	SOLENOID VALVE A
11	095034	BLK	16	26"	F187 #14-#16	F250 #14-#16	Upper Microswitch COM	SOLENOID VALVE B
12	510123	BLK	18	3.5"	F250 #18-#22	PUMP RECEPTACLE	FUSE SIDE	PUMP RECEPTACLE (SMOOTH)
13	510123	BLK	18	24"	#10RING #18-#22	PUMP RECEPTACLE	RESET SWITCH #3	PUMP RECEPTACLE (RIBBED)
14	095035	ORG	16	20"	#10RING #14-#16	FPIN	RESET SWITCH #3	HOLDING TANK RECEPTACLE #1
15	095036	BLU	16	19"	F250 #14-#16	FPIN	HEATER RELAY #6	HOLDING TANK RECEPTACLE #2
16	095004	YLW	16	7"	PIGG #14-#16	FPIN	SOLENOID VALVE A	HOLDING TANK RECEPTACLE #3
17	095037	RED	16	22"	F250 #14-#16	FPIN	PUMP RELAY "B"	HOLDING TANK RECEPTACLE #4
18	095006	RED	16	8"	F250 #14-#16	#10RING #14-#16	POWER SWITCH #3	RESET SWITCH #2
19	510124	BLK	18	20"	PIGG #18-#22	DRAIN RECEPTACLE	WATER SWITCH #7	DRAIN RECEPTACLE (RIBBED)
20	510124	BLK	18	20"	#10RING #18-#22	DRAIN RECEPTACLE	RESET SWITCH #1	DRAIN RECEPTACLE (SMOOTH)
21	095007	WHT	16	4"	#10RING #14-#16	#10RING #14-#16	RESET SWITCH #1	HEATING ELEMENT "A"
22	095008	YLW	16	13"	F250 #14-#16	#10RING #14-#16	HEATER RELAY #4	HEATING ELEMENT "B"
23	095009	BRN	16	7"	F250 #14-#16	PIGG #14-#16	PUMP RELAY "A"	POWER SWITCH #2
24	095010	WHT	16	3"	F250 #14-#16	PIGG #14-#16	PUMP RELAY #6	PUMP RELAY "A"
25	095038	GRN	16	22"	F250 #14-#16	F250 #14-#16	PUMP RELAY #9	FUSE END
26	095010	WHT	16	3"	PIGG #14-#16	F250 #14-#16	HEATER RELAY "B"	HEATER RELAY #9
27	095012	BRN	16	12"	F250 #14-#16	#10RING #14-#16	HEATER RELAY #7	RESET SWITCH #3
28	095013	ORG	16	9"	F250 #14-#16	#10RING #14-#16	FAN SWITCH #3	RESET SWITCH #1
29	095014	RED	16	11"	#10RING #14-#16	F250 #14-#16	HEATING ELEMENT "B"	POWER SWITCH #7
30	095010	WHT	16	3"	F250 #14-#16	PIGG #14-#16	FAN SWITCH #6	POWER SWITCH #7
31	095010	WHT	16	3"	F250 #14-#16	PIGG #14-#16	FAN SWITCH #7	FAN SWITCH #2
32	095015	BRN	16	12"	F250 #14-#16	#10RING #14-#16	FAN SWITCH #8	RESET SWITCH #4
33	095016	BLU	16	11"	F250 #14-#16	#10RING #14-#16	POWER SWITCH #8	RESET SWITCH #4
34	095010	WHT	16	3"	F250 #14-#16	PIGG #14-#16	POWER SWITCH #6	POWER SWITCH #3
35	095017	BLU	16	10"	F250 #14-#16	F250 #14-#16	HEATER RELAY #9	WATER SWITCH #7
36	095018	GRN	16	14"	F250 #14-#16	#10RING #14-#16	WATER SWITCH #8	RESET SWITCH #4
37	095039	BRN	16	24"	F250 #14-#16	PIGG #14-#16	WATER SWITCH #6	SOLENOID VALVE B
38	095020	YLW	16	5"	F250 #14-#16	PIGG #14-#16	WATER SWITCH #2	FAN SWITCH #3
39	095021	GRN	16	13"	F187 #14-#16	F250 #14-#16	Lower Microswitch NC	HEATER RELAY "A"
40	095022	ORG	16	14"	F187 #14-#16	F250 #14-#16	Upper Microswitch NC	WATER SWITCH #3

