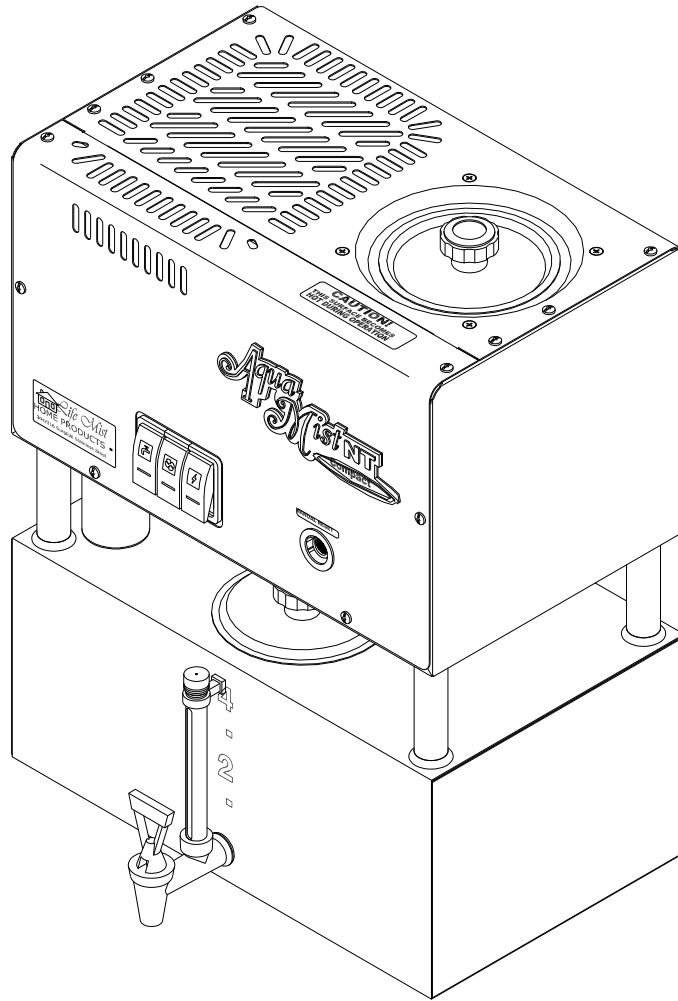


# LIFEMIST COMPACT WATER DISTILLER

## REPLACEMENT PARTS MANUAL AND WIRING SCHEMATIC

FOR MODEL: COMPACT, LM-AED-1 & LM-APK-2  
PART # 500032 500035 500036  
SERIES 0013 0002 0001





## **TABLE OF CONTENTS**

	<u>Page</u>
1. 094291 Holding Tank Assembly, 5 Gallons, LM	4 & 5
2. 094288 Boiler Assembly, 8GPD Automatic	6 & 7
3. 094289 Distiller Body Assembly, 8GPD, Automatic	8 & 9
4. 094290 8GPD Solenoid Valve Assembly	10 & 11
5. 094292 Distiller Head Assembly, 8GPD Automatic	12 & 13
6. 094162 Boiling Tank and Holding Tank Lid Assemblies	14 & 15
7. 094293 Automatic Electric Drain Assembly, 8GPD	16 & 17
8. 094108 Automatic Pump Assembly, APK-2	18 & 19
9. 094109 Electrical Terminals	20 & 21
10. 500247 Wiring Schematic, LM, Compact	22 & 23

## 094291, Exploded Parts List Holding Tank Assembly, 5 Gallons, LM

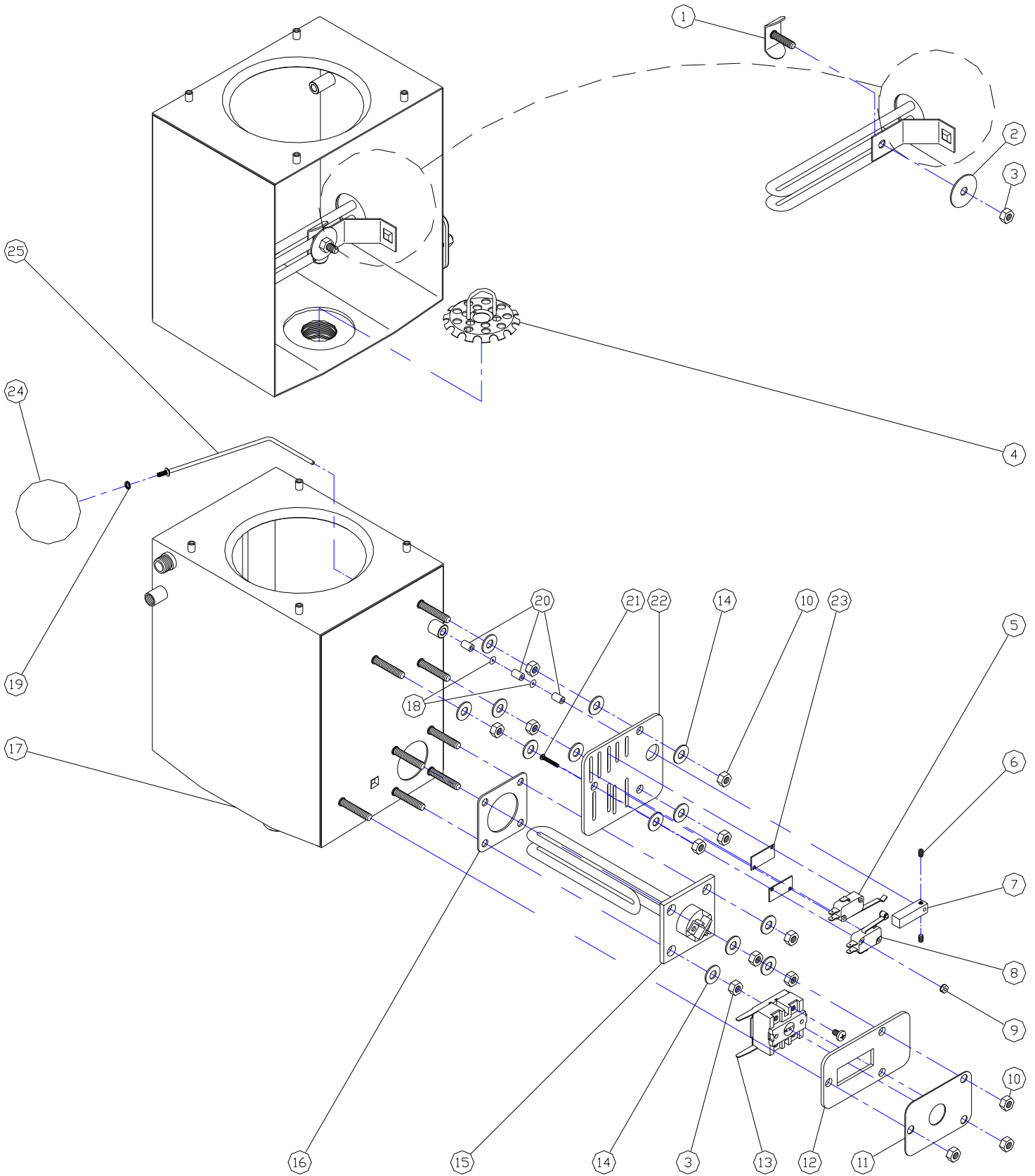
<b>Item #</b>	<b>Part #</b>	<b>Description</b>	<b>Qty</b>
1	500325	Plate, Level Sensor	1
2	500382	Cover, Holding Tank Wires	1
3	028001	Nut, Acorn, Plated, #6-32	2
4	054002	Strain Relief, 7K-2	1
5	060016	Male Pin	4
6	060045	Strain Relief, 7 pin, Circular	1
7	060043	Plug, 7 pin, Circular	1
8	080135	Circular Pin Extraction Tool	1
9	500354	HT, 7", MLS Assembly, SS Stem	1
10	034014	Stem, Plug, 3/8"JG	1
11	080148	Gasket Washer, 1/16" Silicone	1
12	034021	Locking Clip, 3/8"JG	1
13	034011	Bulkhead, 3/8"JG	1
14	530144	Holding Tank WA, 5 Gallons, LM	1
15	080132	Nut, Jam 3/8" Black	1
16	080043	Valve, HT, 6" (includes nut, washer & support)	1
17	080130	Support, Sight Gauge, 5/8" Black	1
18	080217	Ball, Red, Level, Indicator	1
19	054012	Foot, Black, Vinyl, 0.875" X 0.625"	4
20	026002	Nut, Kep, Plated, #6-32	4
21	080181	Grommet, 3/8"ID, 5/8" Hole, Black	1
22	012013	Screw, Machine, SS, #10-24 X 3/8"	1
23	500326	Gasket, Level Sensor	1



## 094288, Exploded Parts List Boiler Assembly, 8GPD, Automatic

<b>Item #</b>	<b>Part #</b>	<b>Description</b>	<b>Qty</b>
1	500182	Clip, Heater, Studded	1
2	018009	Washer, 5/16" X 1-1/4" X 18ga, SS	1
3	025000	Nut, Hex, SS, 1/4"-20	5
4	530124	Drain Strainer WA, 1" Coupler	1
5	060059	Micro Switch, Long Arm, Formed	1
6	016014	Set Screw, Black, #6-32 X .25", Cup Point	2
7	500278	Bar Actuator, Boiler Float	1
8	060058	Microswitch, Short Roller Arm	1
9	026003	Nut, Kep, Plated, #4-40	4
10	025002	Nut, Hex, Plated, 1/4"-20	9
11	500153	Cover, Reset, SS	1
12	500408	Plate, Reset Switch, 66TM, Lexan	1
13	060104	Switch, Thermo, Manual Reset, DPST, RT	1
14	018004	Washer, 5/16" X 11/16" X 20ga, SS	11
15	060001	Heating Element, 120V, 1100W	1
16	500100	Gasket, Heater	1
17	530132	Boiler Tank WA, 8GPD, 316	1
18	080128	O-Ring, 1/16" X 1/8" X 1/4"	2
19	020002	Washer, Lock, SS, M3.5, External Tooth	1
20	080127	Bushing, Teflon, 1/4" X 1/8"	3
21	012003	Screw, Machine, Plated, #4-40 X 3/4"	4
22	500266	Plate, Microswitch	1
23	500289	Shim, Micro Switch	2
24	080162	Float Ball, SS, 2-1/4" Round, #6-32	1
25	500398	Rod WA, Boiler Float, Auto	1

# 094288, Exploded Parts List Boiler Assembly, 8GPD, Automatic

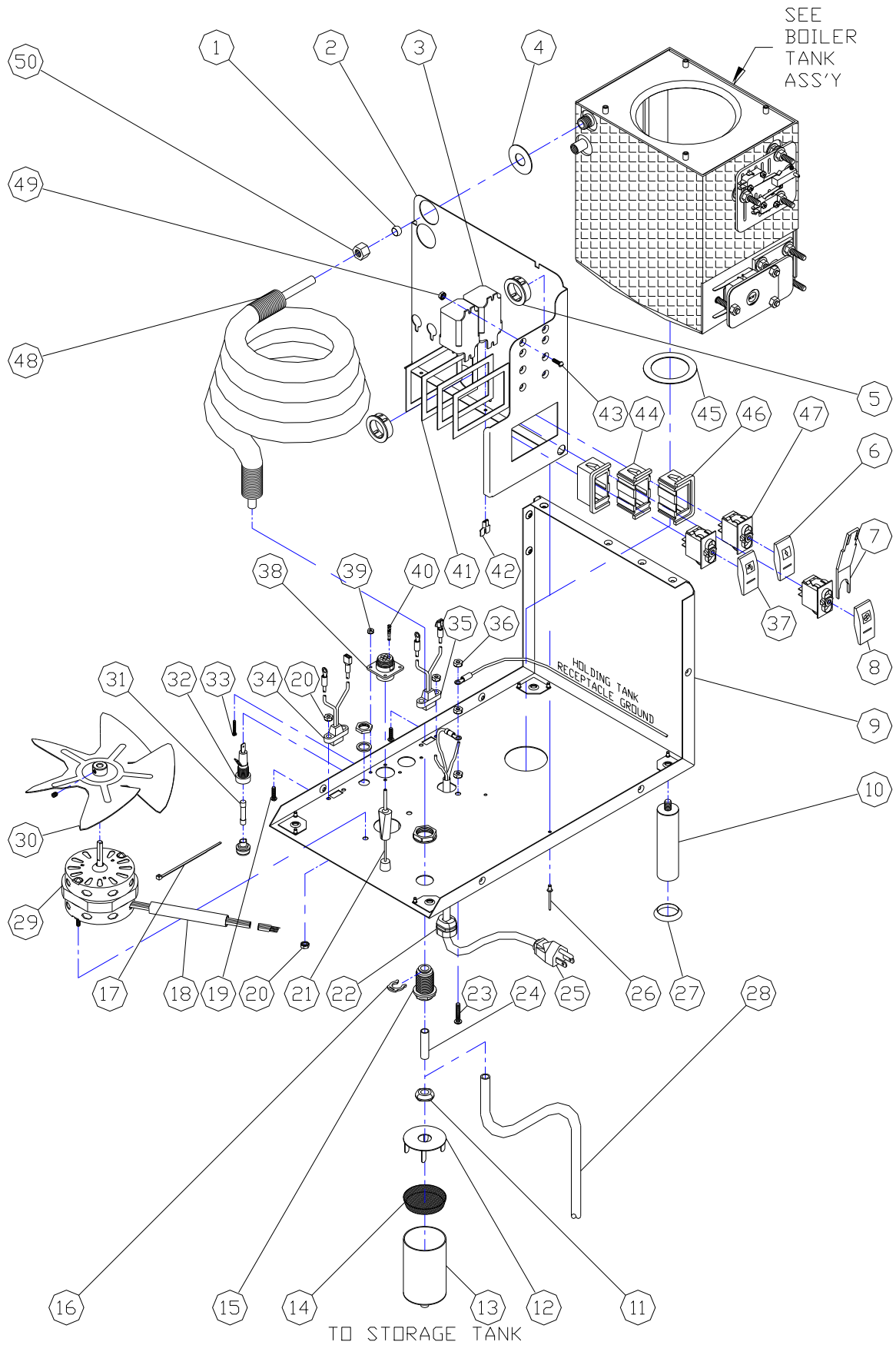


**094289, Exploded Parts List**  
**Distiller Body Assembly, 8GPD, Automatic**

<b>Item #</b>	<b>Part #</b>	<b>Description</b>	<b>Qty</b>
1	030012	Ferrule, 3/8"	1
2	530137	Divider, 8GPD, LM	1
3	060020	Relay, Shrack, DPDT, 120V	2
4	018023	Washer, Flat, 5/8" X 1-1/2", 20ga SS	1
5	054004	Bushing, Snap, 1-1/4"	2
6	060073	Actuator, Black, Red-Power	1
7	080134	Tool, Actuator Removal	1
8	060074	Actuator, Black, Amber-Fan	1
9	530246	Body Sub-Assembly, LM, Compact	1
10	530245	Leg WA, LM, 8GPD	4
11	080181	Grommet, 3/8"ID, 5/8" Hole, Black	1
12	500260	Filter Cap WA	1
13	500300	Filter, Housing, WA, Auto	1
14	530241	Screen, SS, 2-1/2", 32WPI	1
15	034011	Bulkhead, 3/8"JG	1
16	034021	Locking Clip, 3/8"JG	1
17	054011	Wire Tie, Plastic, 4"	Ref.
18	080108	Sleeve, Fiberglass, 1/2"	0.313'
19	012012	Screw, Machine, Plated, #8-32 X 5/8"	4
20	026001	Nut, Kep, Plated, #8-32	6
21	080135	Circular Pin Extraction Tool	1
22	054002	Strain Relief, 7K-2	1
23	012000	Screw, Machine, Plated, #10-24 X 1"	1
24	500202	Tube, SS, 3/8" Diameter X 1.5"	1
25	500232	Power Cord Assembly, 16-3 NA, 8GPD Automatic	1
26	016004	Rivet, Aluminum, 1/8" X 5/16"	5
27	080105	Ring, SS, 1" Rounded	4
28	052002	Tubing, PVC, 5/16" X 7/16"	2'
29	500233	Motor Assembly, 120V, 8GPD, Auto	1
30	080045	Fan Blade, 7"	1
31	060022	Fuse, 1 Amp, Slow Blow	1
32	060036	Fuse Holder, Chassis, 15Amp (includes nut & gasket)	1
33	012003	Screw, Machine, Plated, #4-40 X 3/4", Round/Socket	2
34	500236	Pump Receptacle Assembly, 8GPD, Auto	1
35	500237	Drain Receptacle Assembly, 8GPD, Auto	1
36	026000	Nut, Kep, Plated, #10-24	3
37	060075	Actuator, Black, White-Water	1
38	060044	Receptacle, 7 pin Receptacle	1
39	026003	Nut, Kep, Plated, #4-40	2
40	060017	Female Pin	4
41	500318	Shim, Switch Bezel	4
42	066013	Tab Adapter, F250	1
43	012009	Screw, Machine, Plated, #6-32 X 1/2"	4
44	054024	Switch Mounting Panel, Middle, Black	1
45	018026	Washer, Flat, 1.781" X 2.5", 20ga SS	1
46	054023	Switch Mounting Panel, End, Black	2
47	060028	Switch Base, 120/240V SPST	3
48	500239	Cooling Coil Assembly, 8GPD, Auto	1
49	026002	Nut, Kep, Plated, #6-32	4
50	030013	Nut, Plated, 3/8" Compression	1



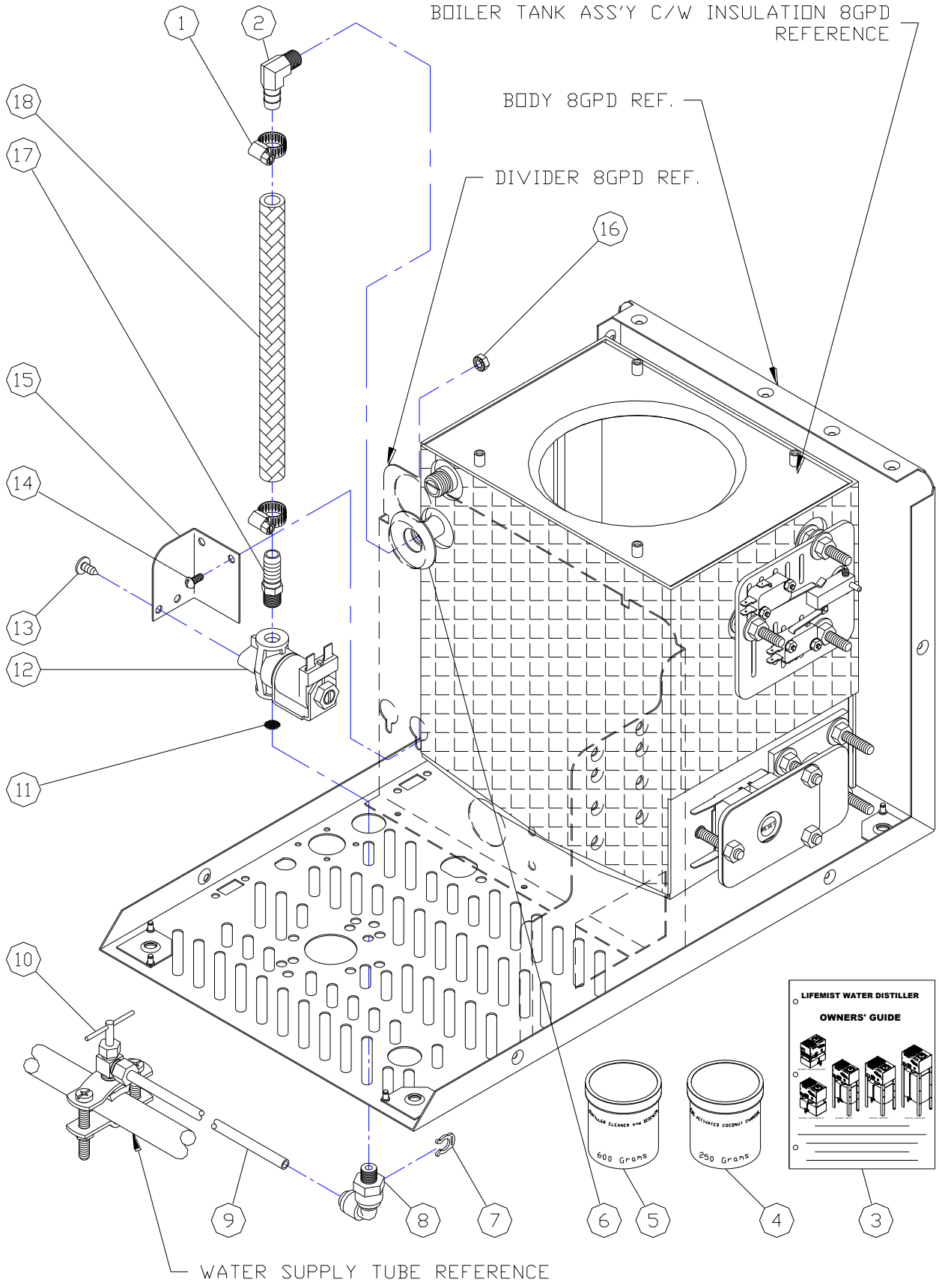
# 094289, Exploded Parts List Distiller Body Assembly, 8GPD, Automatic



## 094290, Exploded Parts List 8GPD Solenoid Valve Assembly

<b>Item #</b>	<b>Part #</b>	<b>Description</b>	<b>Qty</b>
1	080056	Gear Clamp, SS, 1/4"	2
2	030003	Elbow, 90 Degree, 1/8"MPT X 3/8"HB	1
3	097084	Owners Guide, Lifemist Distiller	1
4	530160	Charcoal, LM, 250g Jar Of	1
	530161	Charcoal, LM, 600g Jar Of	Ref.
5	530162	Descaler, LM, 600g Jar Of	1
	530163	Descaler, LM, 1.6Kg Jar Of	Ref.
6	018023	Washer, Flat, 5/8" X 1-1/2", 20ga, SS	1
7	034009	Locking Clip, 1/4"JG	1
8	034057	Elbow, 90, 1/8"MPT X 1/4"JG Swivel	1
9	052000	Tubing, 1/4" Feed-line	16'
10	036005	Valve, Self Piercing Kit	1
11	080197	Screen, 50 Mesh, Solenoid Valve	1
12	060026	Solenoid Valve, 1/8"FPT BE, 120V	1
13	010000	Screw, Sheet Metal, SS, #10-12 X 1/2"	2
14	012012	Screw, Machine, Plated, #8-32 X 5/8"	2
15	500166	Bracket, Solenoid Valve	1
16	026001	Nut, Kep, Plated, #8-32UNC	2
17	034024	Coupler, Nylon, 1/8"MPT X 3/8"HB	1
18	052004	Tubing, 3/8" X 0.6" Braided	0.458'

# 094290, Exploded Parts List 8GPD Solenoid Valve Assembly

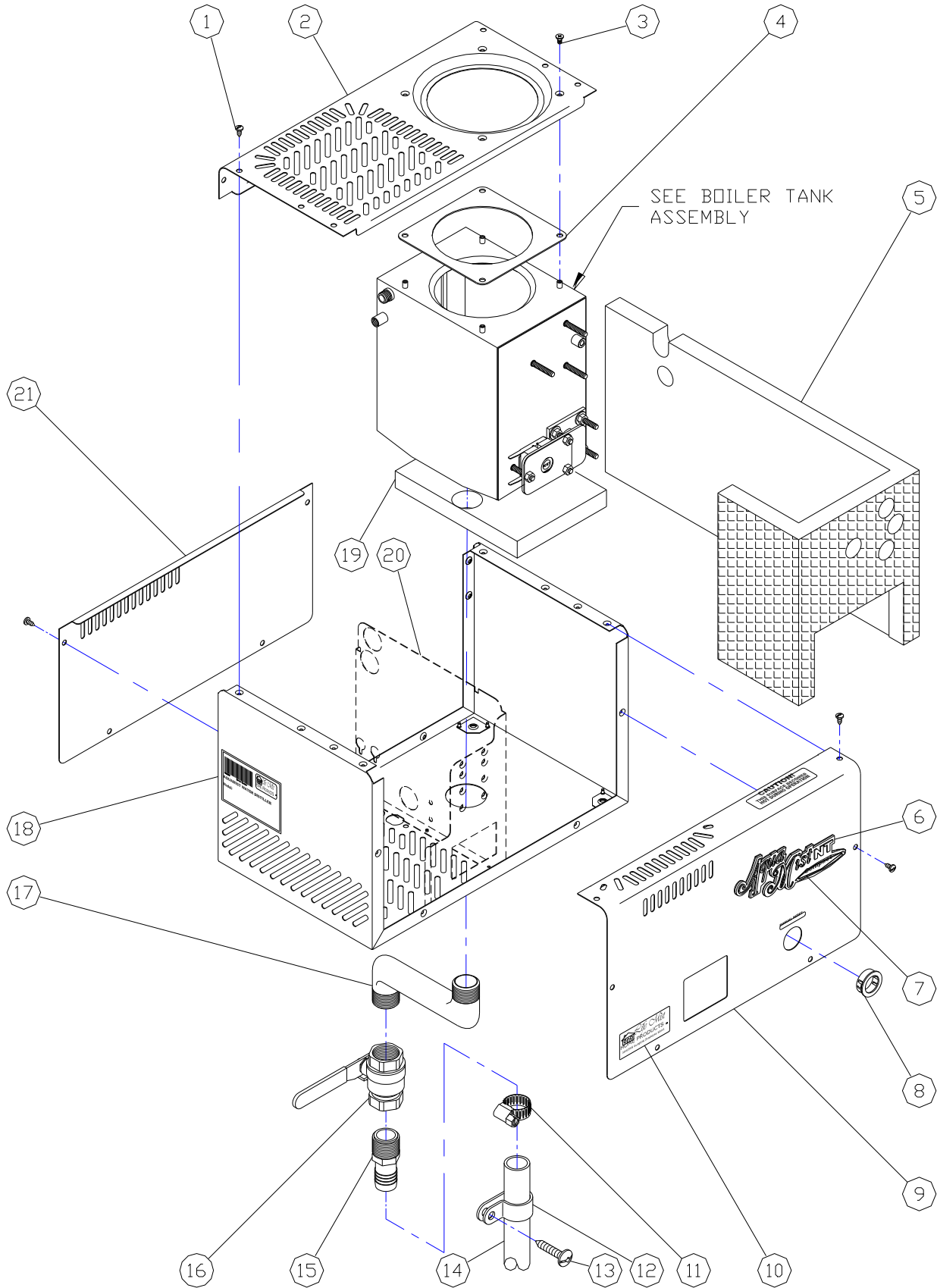


## 094292, Exploded Parts List Distiller Head Assembly, 8GPD Automatic

<b>Item #</b>	<b>Part #</b>	<b>Description</b>	<b>Qty</b>
1	010000	Screw, Sheet Metal, SS, #10-12 X 1/2"	18
2	530136	Cover, Top, 8GPD, LM	1
3	012008	Screw, Machine, #10-24 X 3/8", Oval Head	4
4	500111	Gasket, Lid	1
5	530150	Insulation, 8GPD LM Boiler, Sides	1
6	080210	Nameplate, Plastic, Lifemist NT	1
7	080213	Urocal, Compact	1
8	054004	Bushing, Snap, 1.25"	1
9	530134	Cover, Front, 8GPD, LM	1
10	080211	Urocal, Lifemist NT	1
11	080121	Clamp, Gear, 1-1/4"	1
12	054020	Clamp, Cable, Nylon, Wall Mount, 1.25"	1
13	010008	Screw, Sheet Metal, Plated, #10-12 X 1"	1
14	052005	Tubing, 1" X 1-1/4"	4'
15	034039	Coupler, Nylon, 1"MPT X 1"HB	1
16	030028	Valve, Ball, Brass, 1"FPT, Both Ends	1
17	030042	Drain Line, "Z", Plated, 1"MPT BE X 5-1/2"	1
18	530133	Body, 8GPD, LM	1
19	530151	Insulation, 8GPD LM Boiler, Bottom	1
20	530137	Divider, 8GPD, LM	1
21	530135	Cover, Rear, 8GPD, LM	1

# 094292, Exploded Parts List

## Distiller Head Assembly, 8GPD, Automatic

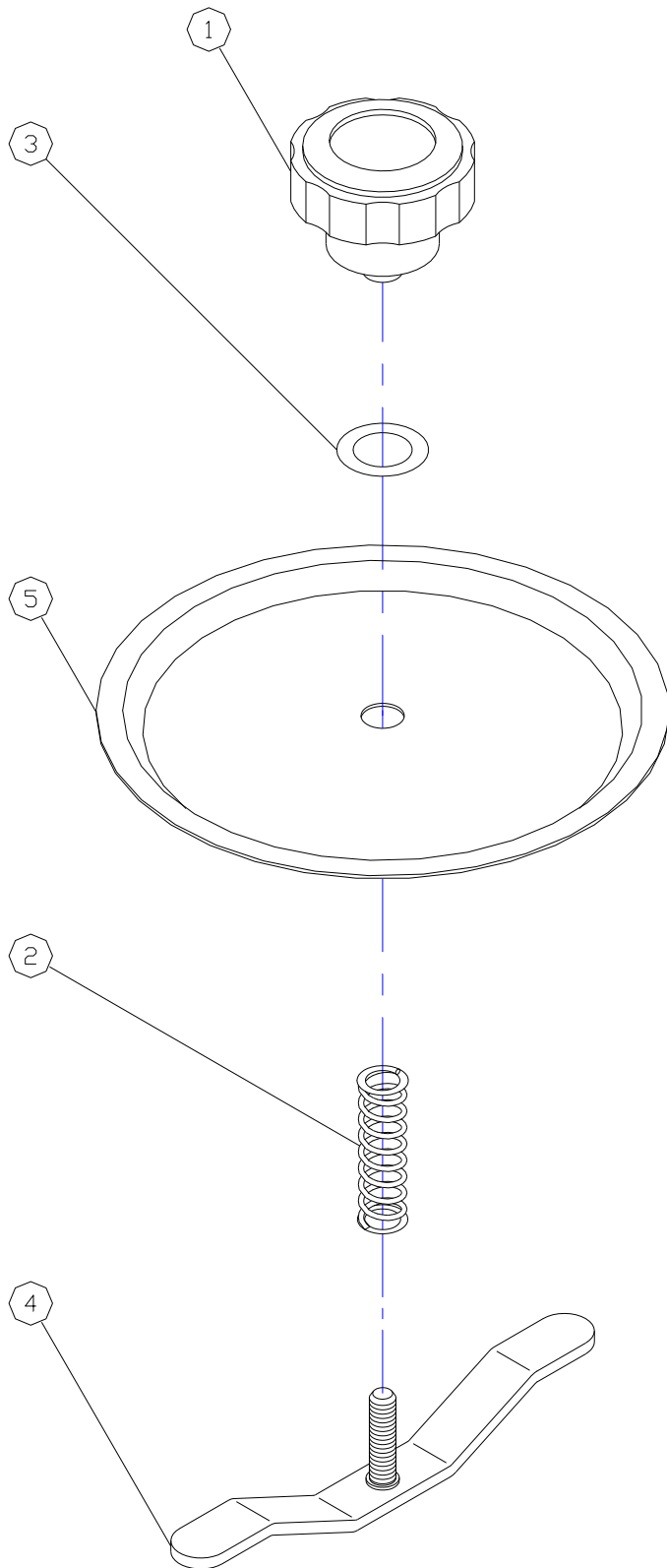


## 094162, Exploded Parts List Boiling Tank and Holding Tank Lid Assemblies

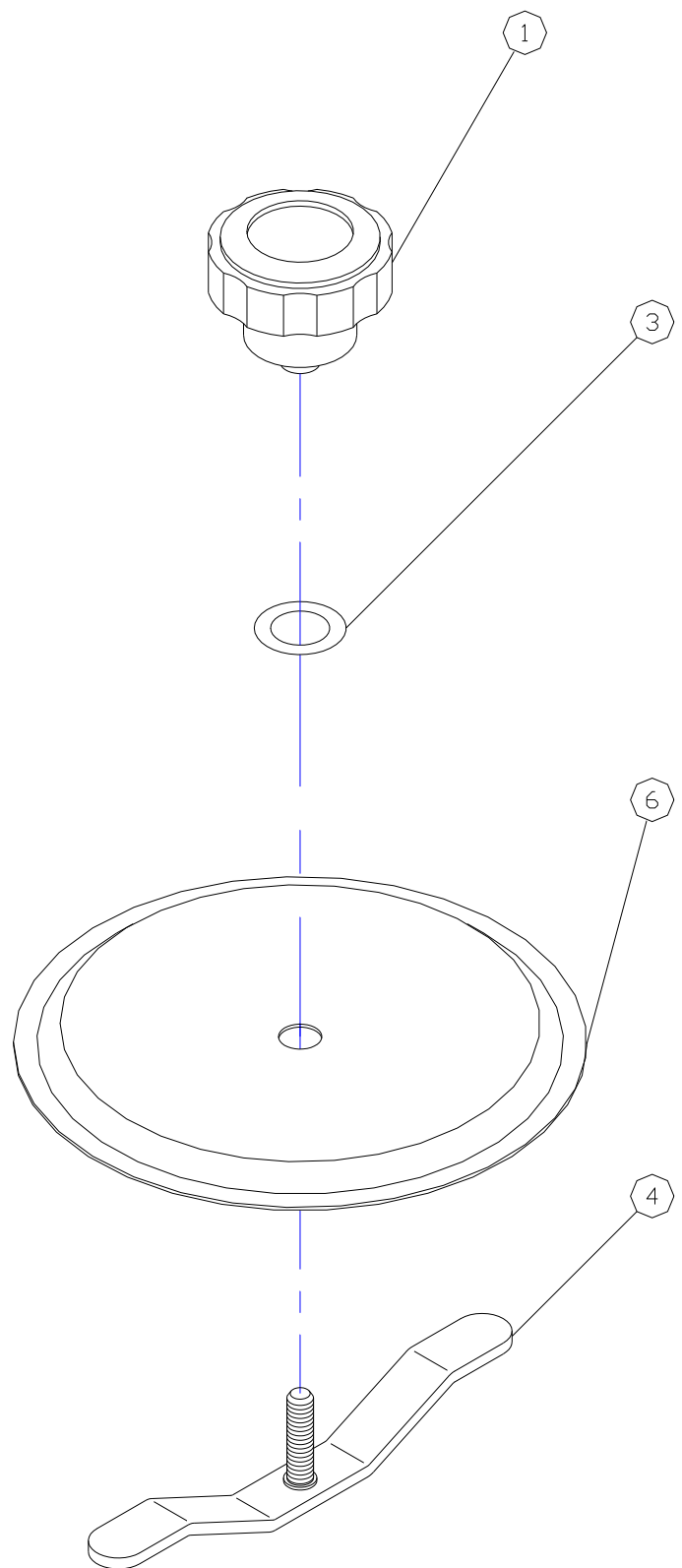
<b>Item #</b>	<b>Part #</b>	<b>Description</b>	<b>Qty</b>
1	080053	Knob, Black Phenolic, ¼-20	2
2	080058	Spring, Boiling Tank, Lid, SS	1
3	080064	O-Ring, Lid Knob, Buna 112	2
4	500115	Tee Bar, Studded, 5.5"	2
5	500118	Lid, Boiling Tank, Disc, SS, 5.5"	1
6	500119	Lid, Holding Tank, Disc, SS, 5.5"	1

# 094162, Exploded Parts List

## Boiling Tank and Holding Tank Lid Assemblies



BOILING TANK  
LID ASSEMBLY  
(PART # 500319)



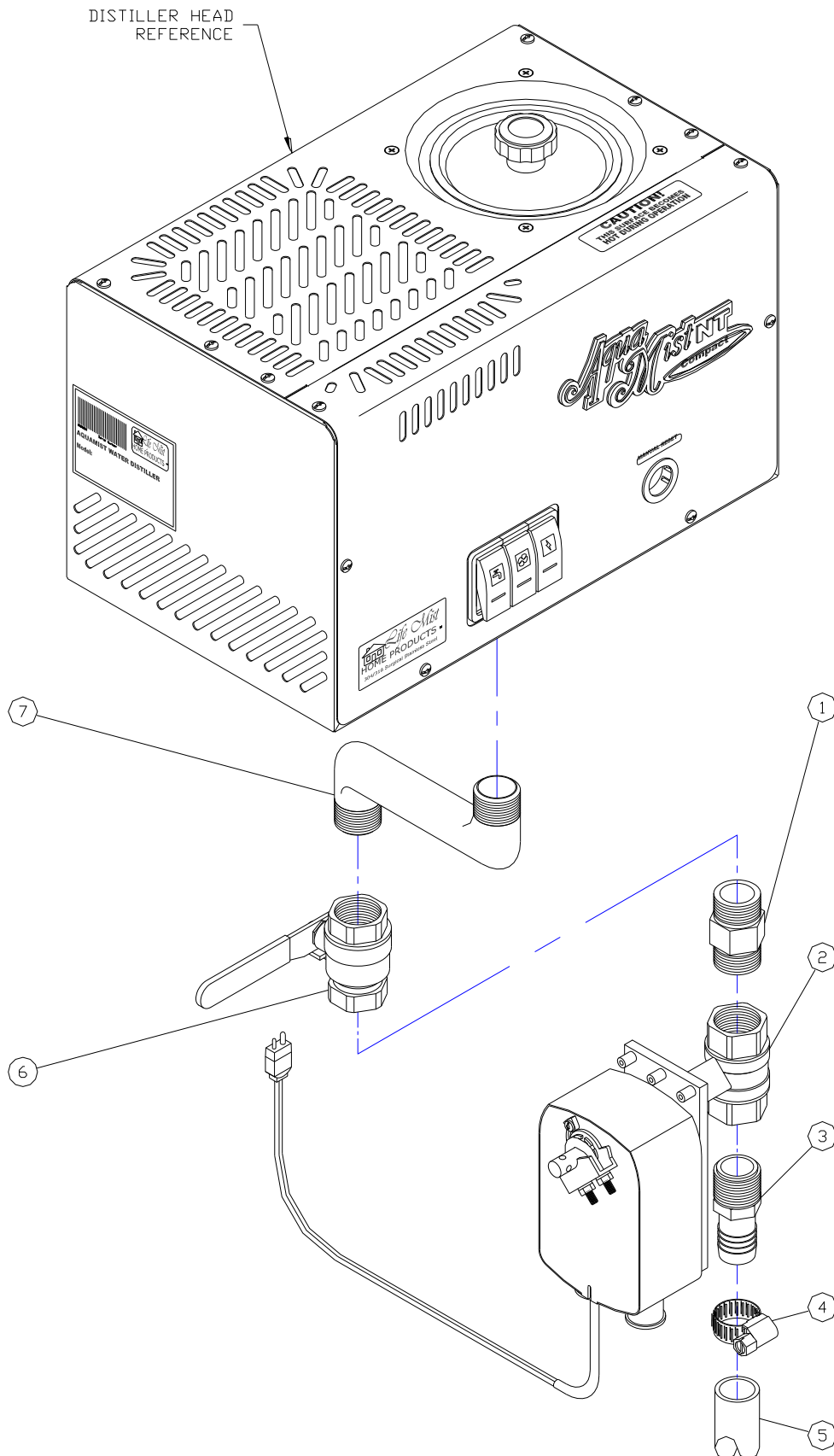
HOLDING TANK  
LID ASSEMBLY  
(PART # 500320)

## 094293, Exploded Parts List Automatic Electric Drain Assembly, 8GPD

<b>Item #</b>	<b>Part #</b>	<b>Description</b>	<b>Qty</b>
1	030030	Nipple, Hex, 1"MPT Both Ends	1
2	500448	Motorized Ball Valve, w/Cord, 115V	1
3	034039	Coupler, Nylon, 1"MPT X 1"HB	1
4	080121	Clamp, Gear, 1-1/4"	1
5	052005	Tubing, 1" X 1-1/4"	4'
6	030028	Valve, Ball, Brass, 1"FPT, FF	1
7	030042	Drain Line, "Z", Plated, 1"MPT BE X 5-1/2"	1



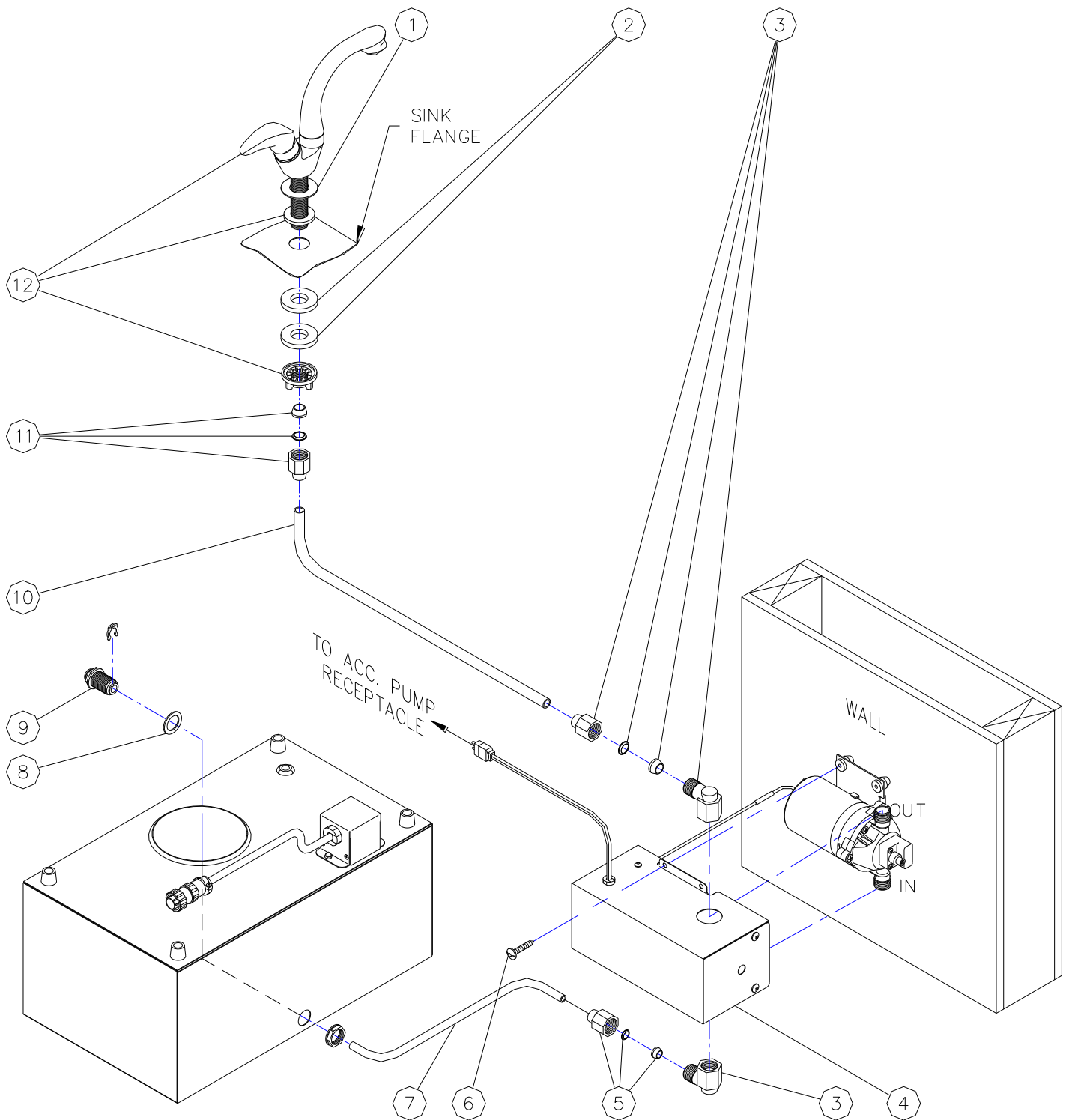
# 094293, Exploded Parts List Automatic Electric Drain Assembly, 8GPD



## 094108, Exploded Parts List Automatic Pump Assembly, APK-2

<b>Item #</b>	<b>Part #</b>	<b>Description</b>	<b>Qty</b>
1	018037	Washer, Flat, 0.937" X 1.781" X 16ga, SS	1
2	900187	Washer, Flat, 0.843" X 1.781" X 1/4", HDPE	2
3	034002	Elbow, 90 degree, 1/2"FPT X 1/2"OD Tube	2
4	500358	Pump Assembly, W/Cord, 1.4GPM, 120V, 2P	1
5	034004	Nut/Cone/Ring Set, 3/8"OD	1
6	010008	Screw, Sheet Metal, Plated, #10-12 X 1"	4
7	052007	Tubing, LDPE, 3/8" X 1/4"	4'
8	080148	Gasket Washer, 1/16" Silicone	1
9	034011	Bulkhead, 3/8"JG	1
10	052001	Tubing, LDPE, 3/8" X 1/2"	25'
11	034003	Nut/Cone/Ring Set, 1/2"OD	Ref.
12	080052	Faucet, Chrome	1

# 094108, Exploded Parts List Automatic Pump Assembly, APK-2

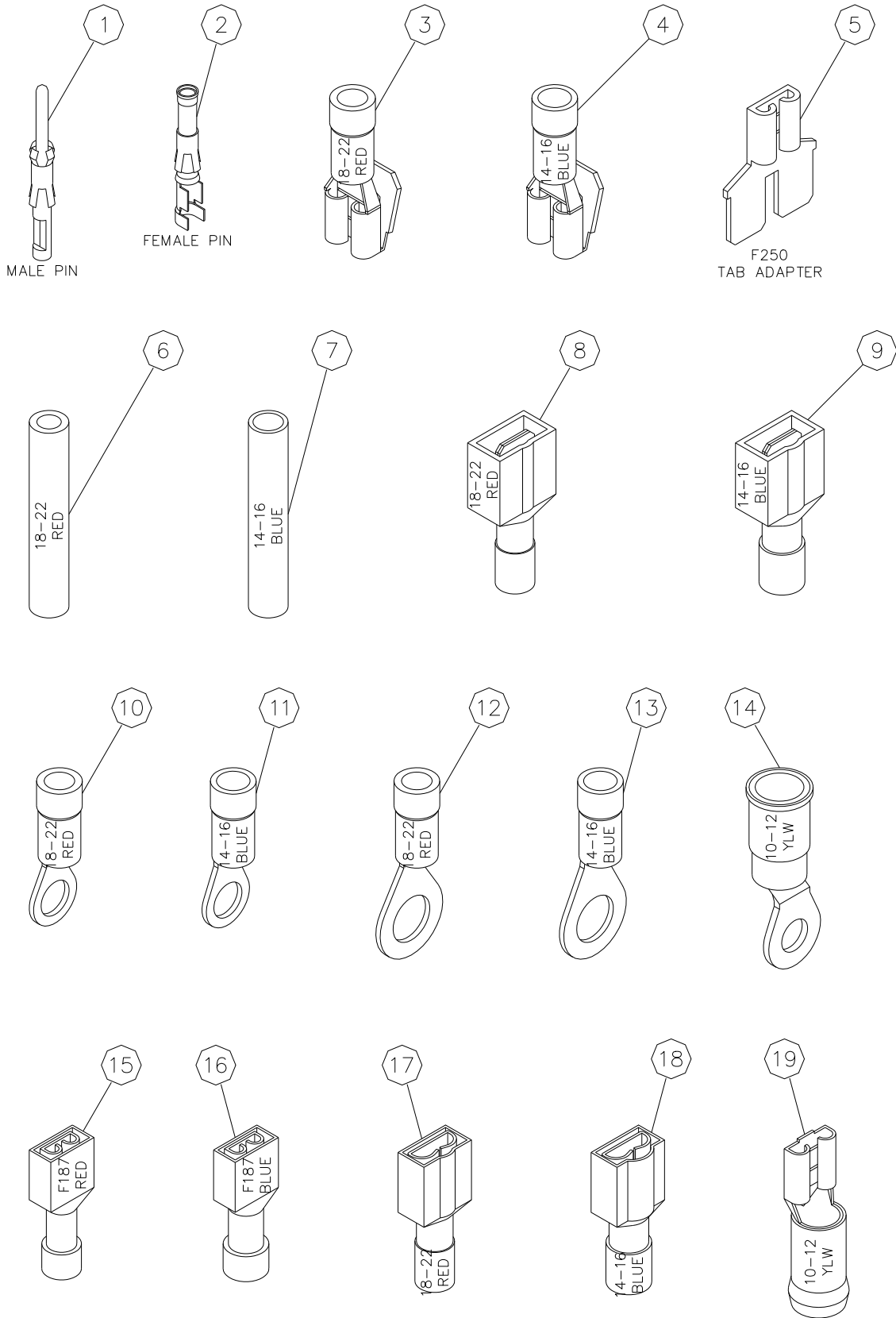


## 094109, Exploded Parts List Electrical Terminals

Item #	Part #	Description
1	060016	Pin, Male, Circular
2	060017	Pin, Female, Circular
3	066014	Receptacle, Pigg, F250, #18-22 AWG, Red
4	066004	Receptacle, Pigg, F250, #14-16 AWG, Blue
5	066013	Tab Adapter, F250
6	066006	Butt Splice, #18-22 AWG, Red
7	066005	Butt Splice, #14-16 AWG, Blue
8	066012	Tab, 250, #18-22 AWG, Red
9	066011	Tab, 250, #14-16 AWG, Blue
10	066008	Ring, #10, #18-22 AWG, Red
11	066007	Ring, #10, #14-16 AWG, Blue
12	066010	Ring, ¼", #18-22 AWG, Red
13	066009	Ring, ¼", #14-16 AWG, Blue
14	066016	Ring, #10, #10-12 AWG, Yellow
15	066003	Receptacle, F187, #18-22 AWG, Red
16	066001	Receptacle, F187, #14-16 AWG, Blue
17	066002	Receptacle, F250, #18-22 AWG, Red
18	066000	Receptacle, F250, #14-16 AWG, Blue
19	066015	Receptacle, F250, #10-12 AWG, Yellow

# 094109, Exploded Parts List

## Electrical Terminals



# Wiring List, LM, Compact, PART # 500247

No.	Part#	Color	Ga	Length	From Conn.	To Conn.	From Location	To Location
1	500232	GRN	16	3"	#10RING #14-#16	POWER CORD	GROUND	POWER CORD
2	500232	BLK	16	14.5"	F250 #14-#16	POWER CORD	POWER SWITCH #2	POWER CORD
3	500232	WHT	16	14.5"	#10RING #14-#16	POWER CORD	RESET SWITCH #4	POWER CORD
4	500233	BLKor	18	10"	PIGG#18-#22&F250#18-#22	FAN MOTOR (ORG/BLU)	HEATER RELAY #4	FAN MOTOR
5	500233	BLKor	18	11"	F250 #18-#22&PIGG#18-#22	FAN MOTOR (YLW/WHT)	FAN SWITCH #2	FAN MOTOR
6								
7								
8								
9	095001	BLK	16	7"	#10RING #14-16	F187 #14-#16	RESET SWITCH #1	Low er Microsw itch COM
10	095000	GRN	16	20"	PIGG #14-#16	F250 #14-#16	HEATER RELAY "B"	SOLENOID VALVE A
11	095030	BLK	16	19"	F187 #14-#16	F250 #14-#16	Upper Microsw itch COM	SOLENOID VALVE B
12	500236	BLK	18	3.5"	F250 #18-#22	PUMP RECEPTACLE	FUSE SIDE	PUMP RECEPTACLE (SMOOTH)
13	500236	BLK	18	20"	#10RING #18-#22	PUMP RECEPTACLE	RESET SWITCH #3	PUMP RECEPTACLE (RIBBED)
14	095002	ORG	16	16"	#10RING #14-#16	FPIN	RESET SWITCH #3	HOLDING TANK RECEPTACLE #1
15	095003	BLU	16	16"	F250 #14-#16	FPIN	HEATER RELAY #6	HOLDING TANK RECEPTACLE #2
16	095004	YLW	16	7"	PIGG #14-#16	FPIN	SOLENOID VALVE A	HOLDING TANK RECEPTACLE #3
17	095005	RED	16	19"	F250 #14-#16	FPIN	PUMP RELAY "B"	HOLDING TANK RECEPTACLE #4
18	095006	RED	16	8"	F250 #14-#16	#10RING #14-#16	POWER SWITCH #3	RESET SWITCH #2
19	500237	BLK	18	16"	PIGG #18-#22	DRAIN RECEPTACLE	WATER SWITCH #7	DRA IN RECEPTACLE (RIBBED)
20	500237	BLK	18	16"	#10RING #18-#22	DRAIN RECEPTACLE	RESET SWITCH #1	DRA IN RECEPTACLE (SMOOTH)
21	095007	WHT	16	4"	#10RING #14-#16	#10RING #14-#16	RESET SWITCH #1	HEATING ELEMENT "A"
22	095008	YLW	16	13"	F250 #14-#16	#10RING #14-#16	HEATER RELAY #4	HEATING ELEMENT "B"
23	095009	BRN	16	7"	F250 #14-#16	PIGG #14-#16	PUMP RELAY "A"	POWER SWITCH #2
24	095010	WHT	16	3"	PIGG #14-#16	F250 #14-#16	PUMP RELAY #6	PUMP RELAY "A"
25	095011	GRN	16	19"	F250 #14-#16	F250 #14-#16	PUMP RELAY #9	FUSE END
26	095010	WHT	16	3"	PIGG #14-#16	F250 #14-#16	HEATER RELAY "B"	HEATER RELAY #9
27	095012	BRN	16	12"	F250 #14-#16	#10RING #14-#16	HEATER RELAY #7	RESET SWITCH #3
28	095013	ORG	16	9"	F250 #14-#16	#10RING #14-#16	FAN SWITCH #3	RESET SWITCH #1
29	095014	RED	16	11"	#10RING #14-#16	F250 #14-#16	HEATING ELEMENT "B"	POWER SWITCH #7
30	095010	WHT	16	3"	F250 #14-#16	PIGG #14-#16	FAN SWITCH #6	POWER SWITCH #7
31	095010	WHT	16	3"	F250 #14-#16	PIGG #14-#16	FAN SWITCH #7	FAN SWITCH #2
32	095015	BRN	16	12"	F250 #14-#16	#10RING #14-#16	FAN SWITCH #8	RESET SWITCH #4
33	095016	BLU	16	11"	F250 #14-#16	#10RING #14-#16	POWER SWITCH #8	RESET SWITCH #4
34	095010	WHT	16	3"	F250 #14-#16	PIGG #14-#16	POWER SWITCH #6	POWER SWITCH #3
35	095017	BLU	16	10"	F250 #14-#16	F250 #14-#16	HEATER RELAY #9	WATER SWITCH #7
36	095018	GRN	16	14"	F250 #14-#16	#10RING #14-#16	WATER SWITCH #8	RESET SWITCH #4
37	095019	BRN	16	21"	F250 #14-#16	PIGG #14-#16	WATER SWITCH #6	SOLENOID VALVE B
38	095020	YLW	16	5"	F250 #14-#16	PIGG #14-#16	WATER SWITCH #2	FAN SWITCH #3
39	095021	GRN	16	13"	F187 #14-#16	F250 #14-#16	Low er Microsw itch NC	HEATER RELAY "A"
40	095022	ORG	16	14"	F187 #14-#16	F250 #14-#16	Upper Microsw itch NC	WATER SWITCH #3

# 500247, Exploded Parts List Wiring Diagram, LM 8GPD

