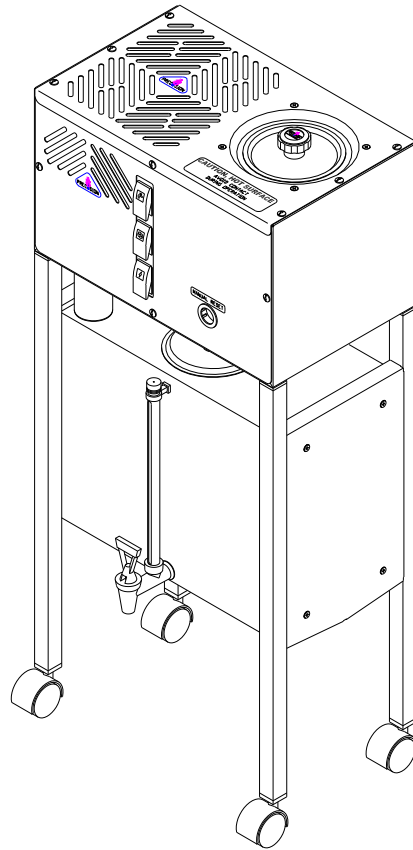




# REPLACEMENT PARTS MANUAL

FOR MODEL: PWS 8-8(120VAC), PWS 8-8(240VAC), AED-1(120VAC), AED-1(240VAC), APK-1(120VAC) & APK-1(240VAC)

PART #	500003	500014	500006	500015	500007	500016
SERIES	0008	0008	0001	0001	0001	0001



*MODEL PWS 8-8*

## PRECISION WATER SYSTEMS WATER DISTILLER

MANUFACTURED BY:  
PRECISION DESIGN & MANUFACTURING INC.  
10331 - 105<sup>th</sup> STREET  
WESTLOCK, ALBERTA, CANADA, T7P 2H7  
e-mail: [pdm@telusplanet.net](mailto:pdm@telusplanet.net)  
PHONE (780) 349-4933  
FAX (780) 349-4957



## **TABLE of CONTENTS**

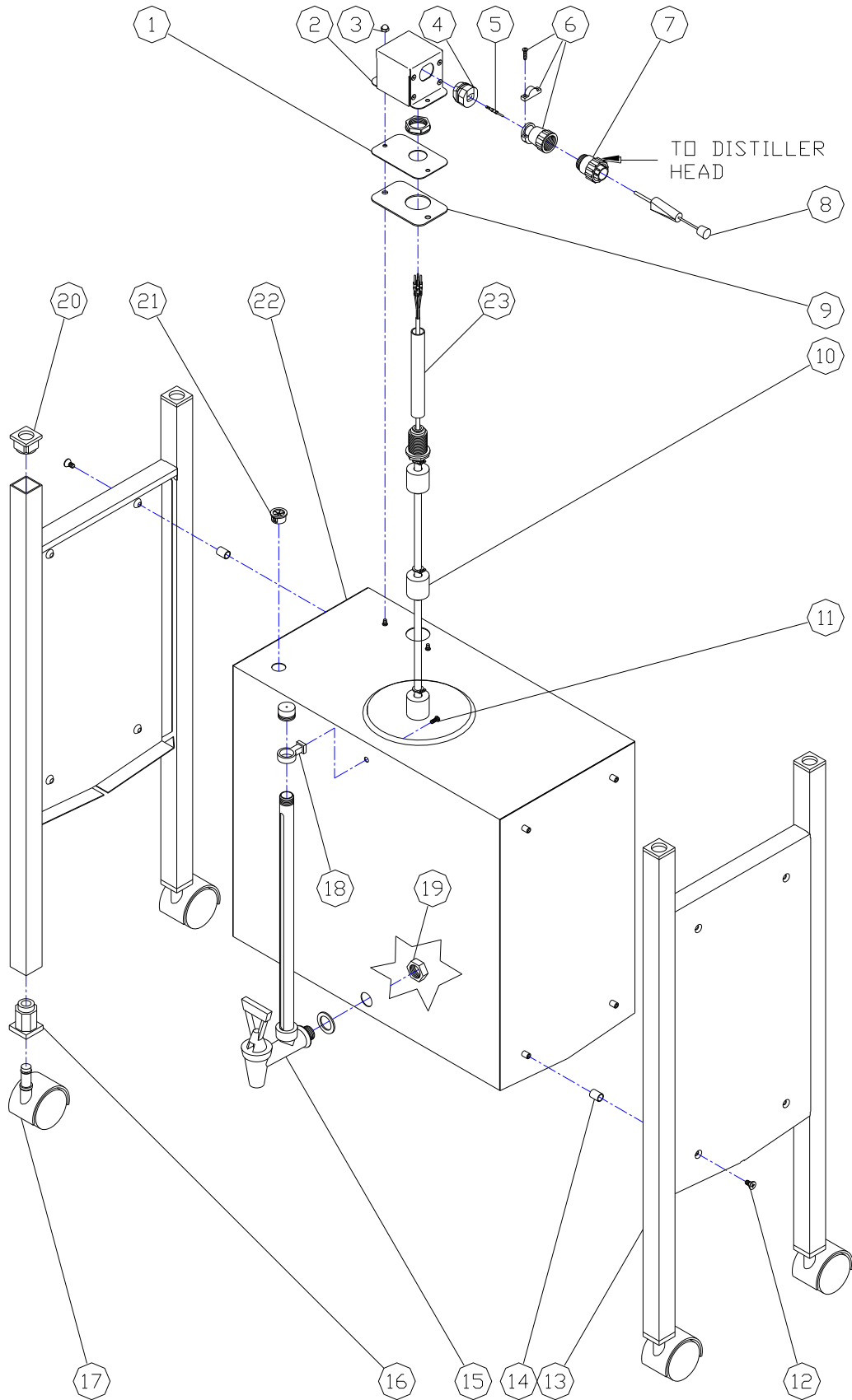
	<u>Page</u>
1. 094093 Holding Tank Assembly, 8-8 Automatic	4 & 5
2. 094110 Boiler Assembly, 8GPD Automatic	6 & 7
3. 094075 Distiller Body Assembly, 8GPD Automatic	8 & 9
4. 094070 8GPD Solenoid Valve Assembly	10 & 11
5. 094076 Distiller Head Assembly, 8GPD Automatic	12 & 13
6. 094123 Boiling Tank & Holding Tank Lids Assemblies	14 & 15
7. 094071 Automatic Electric Drain Assembly, AED-1	16 & 17
8. 094094 Automatic Pump Assembly, APK-1	18 & 19
8. 094109 Electrical Terminals	20 & 21
10. 500247 Wiring Schematic	22 & 23

## 094093, Exploded Parts List

### Holding Tank Assembly, 8-8 Automatic

<b>Item #</b>	<b>Part #</b>	<b>Description</b>	<b>Qty</b>
1	500325	Plate, Level Sensor	1
2	500133	Cover, Holding Tank Wires	1
3	028001	Nut, Acorn, 6-32 Pltd.	2
4	054002	Strain Relief. 7K-2	1
5	060016	Male Pin	4
6	060045	Strain Relief, 7 pin, Circular	1
7	060043	Plug, 7 pin, Circular	1
8	080135	Circular Pin Extraction Tool	1
9	500326	Gasket, Level, Sensor	1
10	500332	HT 16" Level Sensor Assembly, SS	1
11	012013	Screw, Mach, #10-24 x 3/8" SS	1
12	012008	Screw, Mach, #10-24x3/8", Oval Hd	8
13	500159	Leg End W.A., 8-8	2
14	500274	Tube, 3/8" X 0.496"	8
15	080122	Valve, HT, 13" (includes nut, washer & support)	1
16	054014	Socket, 1" Sq, Stem Mt, Castor	4
17	054013	Castor, 2" Twin Wheel, Stem Mount	4
18	080130	Support, SG, 5/8, Blk	1
19	080132	Nut, Jam, 3/8, Blk	1
20	500279	Glide, Leg, 1" Sq, Punched	4
21	054005	Bushing, Wire, 5/8'	1
22	500330	Holding Tank WA, 8-8	1
23	080108	Sleeve, Fiberglass, 1/2"	4.5"

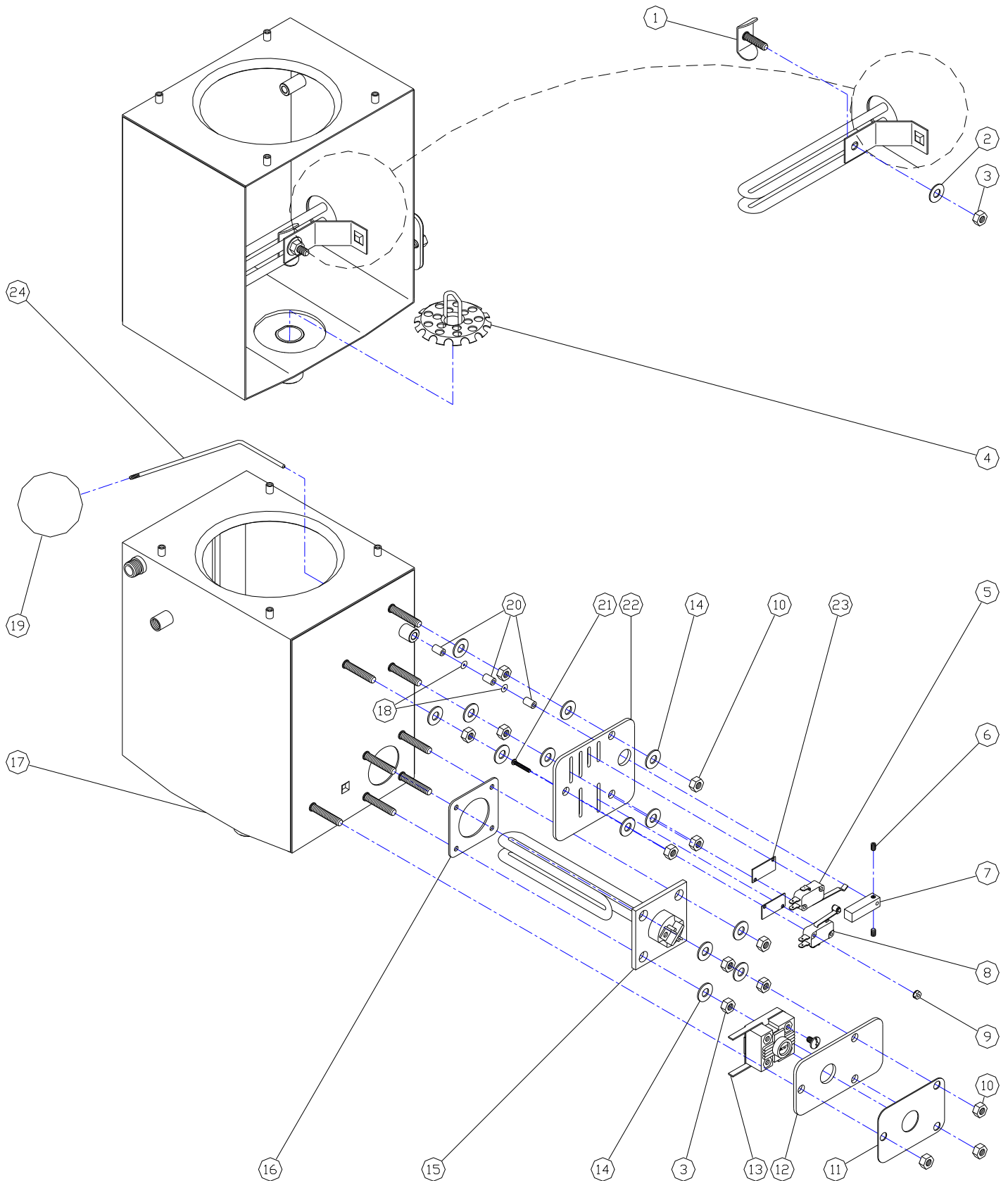
# 094093, Exploded Parts List Holding Tank Assembly, PWS, 8-8 Automatic



## 094110, Exploded Parts List Boiler Assembly, 8GPD Automatic

<b>Item #</b>	<b>Part #</b>	<b>Description</b>	<b>Qty</b>
1	500182	Clip, Heater, Studded	1
2	018009	Washer, 5/16" x 1-1/4" x 18ga SS	1
3	025000	Nut, Hex, 1/4" SS	5
4	500208	Drain Strainer WA	1
5	060059	Micro Switch, Long Arm, Formed	1
6	016014	Set Screw, Blk, #6-32 x .25", Cup Pt.	2
7	500278	Bar Actuator, Boiler Float	1
8	060058	Microswitch, Short Roller Arm	1
9	026003	Nut, Kep, #4-40	4
10	025002	Nut, Hex, 1/4" Pltd.	9
11	500153	Cover, Reset, SS	1
12	400010	Reset Plate, Lexan	1
13	060000	Switch, Thermo-reset	1
14	018004	Washer, 5/16" x 11/16" x 20ga SS	11
15	060001	Heating Element, 120V, 1100W	1
	060002	Heating Element, 240V, 1100W	1
16	500100	Gasket, Heater	1
17	500269	Boiler WA, 8GPD Auto	1
18	080128	O-Ring, 1/16" x 1/8" x 1/4"	2
19	080162	Float Ball, SS, 2-1/4" Round, #6-32	1
20	080127	Bushing, Nylon	3
21	012003	Screw, Machine, Pltd, #4-40 x 3/4"	4
22	500266	Plate, Microswitch	1
23	500289	Shim, Micro Switch	2
24	500264	Rod, Boiler Float	1

# 094110, Exploded Parts List Boiler Assembly, 8GPD Automatic



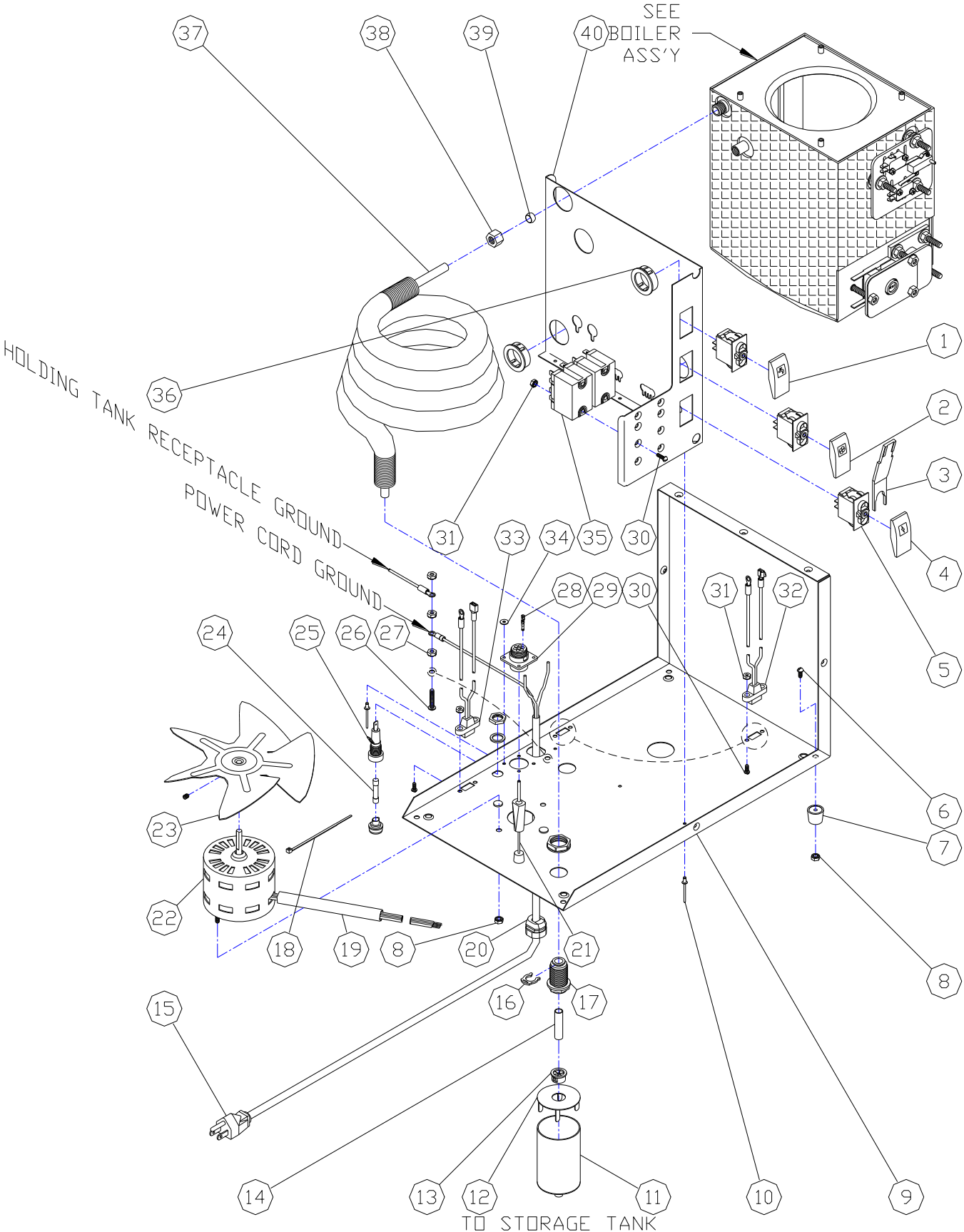
# 094075, Exploded Parts List

## Distiller Body Assembly, PWS, 8GPD Automatic

Item #	Part #	Description	Qty
1	060031	Actuator, Grey, White-Water	1
2	060030	Actuator, Grey, Amber-Fan	1
3	080134	Tool, Actuator Removal	1
4	060029	Actuator, Grey, Red-Power	1
5	060028	Switch Base, 120/240V SPST	3
6	012012	Screw, Machine, Plated, #8-32 X 5/8"	4
7	054010	Leg, 3/4" OD X 5/8" High	4
8	026001	Nut, Kep, Plated, #8-32	6
9	500126	Body, 8GPD, Auto	1
10	016004	Rivet, Aluminum, 1/8" x 5/16"	6
11	500300	Filter, Housing, WA, Auto	1
12	500260	Filter Cap WA,	1
13	054005	Bushing, Wire, Plastic, 5/8" Hole	1
14	500202	Tube, SS, 3/8" Diameter X 1.5"	1
15	500232	Power Cord Assembly, 16-3 NA, 8GPD Automatic	1
16	034021	Locking Clip, 3/8" JG	1
17	034011	Bulkhead, 3/8" JG	1
18	054011	Wire Tie, Plastic, 4"	1
19	080108	Sleeve, Fiberglass, 1/2"	5"
20	054002	Strain Relief, 7K-2	1
21	080135	Circular Pin Extraction Too	1
22	060049	Motor, 120/240 Dual Voltage	1
23	080045	Fan Blade, 7"	1
24	060022	Fuse, 1 Amp, Slow Blow	1
25	060036	Fuse Holder, Chassis, 15Amp (includes nut & gasket)	1
26	012000	Screw, Machine, Plated, #10-24 x 1"	1
27	026000	Nut, Kep, Plated., #10-24	3
28	060017	Female Pin	4
29	060044	Receptacle, 7 pin Receptacle	1
30	012009	Screw, Machine, Plated, #6-32 X 1/2"	8
31	026002	Nut, Kep, Pltd., #6-32	8
32	500237	Drain Receptacle Ass'y, 8GPD, Auto	1
33	500236	Pump Receptacle Ass'y, 8GPD, Auto	1
34	018001	Washer, Flat, 1/8" x 3/8" Alum	2
35	060018	Relay, Aromat, Black, 120V	2
	060019	Relay, Aromat, Black, 240V	2
36	054004	Bushing, Snap, 1-1/4"	2
37	500239	Cooling Coil Ass'y, 8GPD, Auto	1
38	030013	Nut, Plated, 3/8" Compression	1
39	030012	Ferrule, 3/8"	1
40	500114	Divider, 8GPD, Auto	1



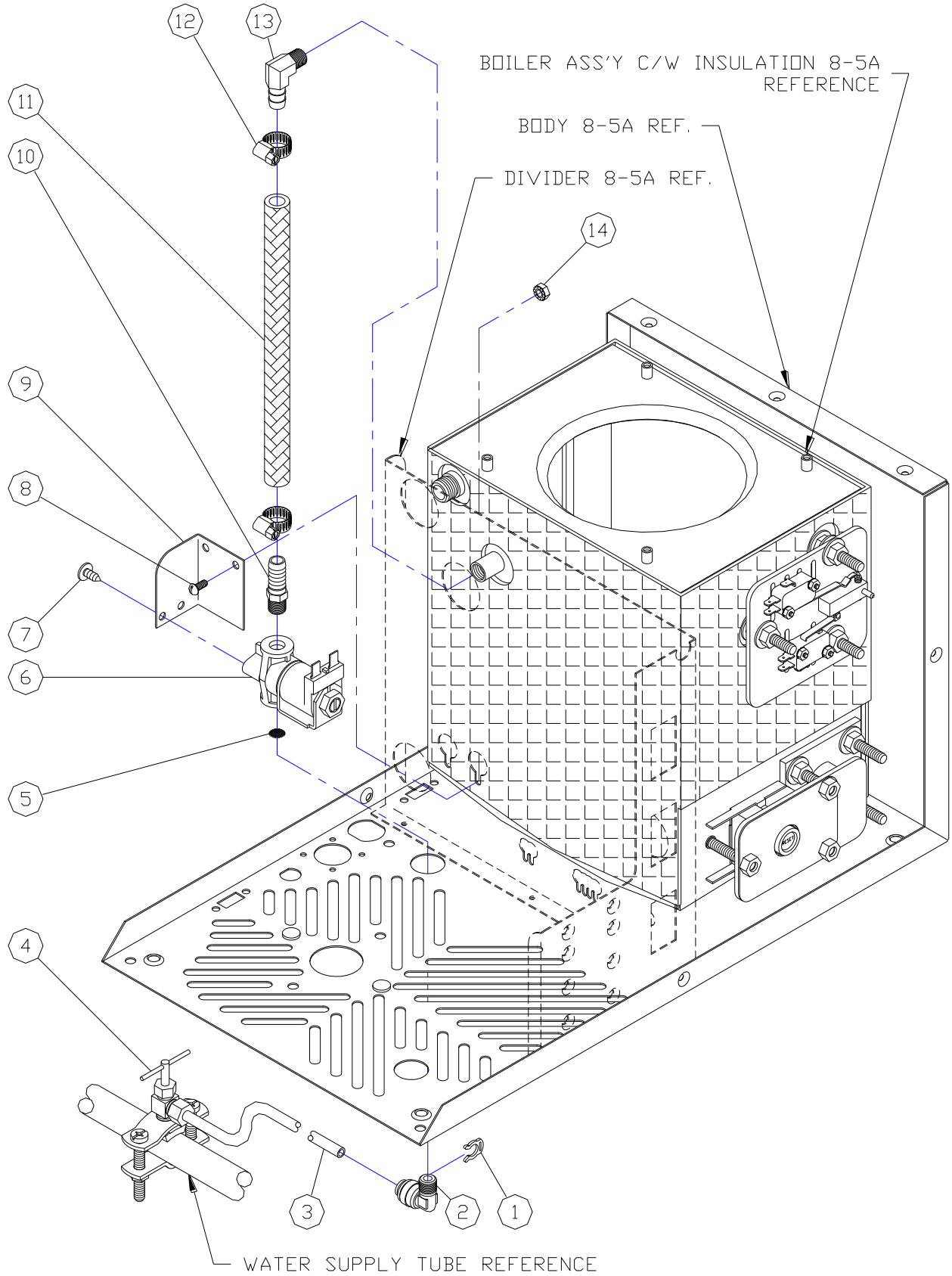
# 094075, Exploded Parts List Distiller Body Assembly, PWS, 8GPD Automatic



## 094070, Exploded Parts List 8GPD Solenoid Valve Assembly

<b>Item #</b>	<b>Part #</b>	<b>Description</b>	<b>Qty</b>
1	034009	Locking Clip, 1/4" JG	1
2	034006	Elbow, 90, 1/8MPTx1/4" JG	1
3	052000	Tubing, 1/4" Feed-line	1
4	036005	Valve, Self Piercing Kit	1
5	080197	Screen, 50 Mesh, Solenoid Valve	1
6	060026	Solenoid Valve, 1/8FPT BE, 120V	1
	060027	Solenoid Valve, 1/8FPT BE, 240V	1
7	010000	Screw, ShtMtl #10-12x1/2", SS	2
8	012012	Screw, Mach, #8-32x5/8", Pltd.	2
9	500166	Bracket, Solenoid Valve	1
10	034024	Coupler, Nylon, 1/8"MPTx3/8"HB	1
11	052004	Tubing, 3/8x0.6 Braided	1
12	080056	Gear Clamp, SS, 1/4"	2
13	030003	Elbow, 90, 1/8"MPTx3/8"HB	1
14	026001	Nut, Kep,#8-32	2

# 094070, Exploded Parts List 8GPD Solenoid Valve Assembly

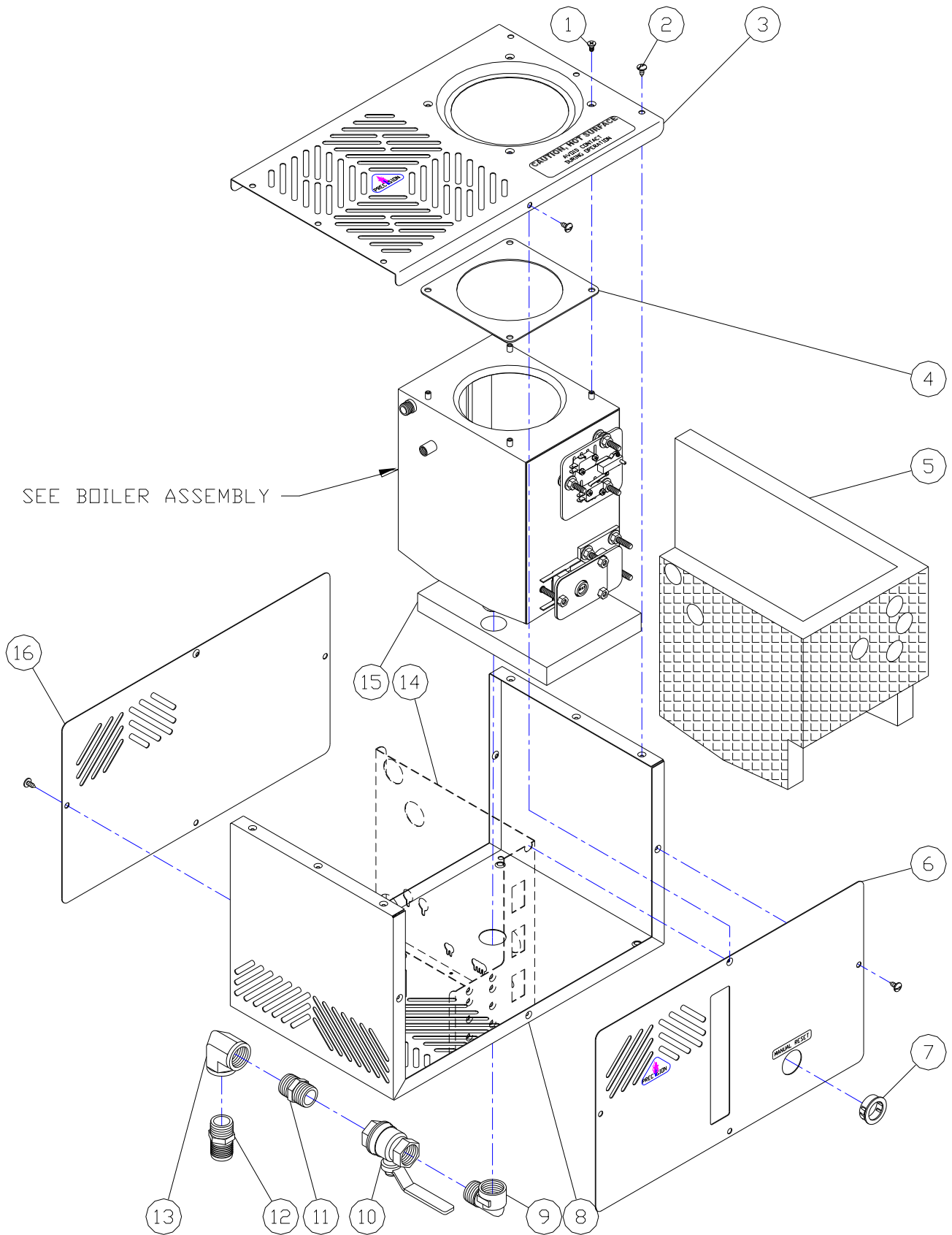


## 094076, Exploded Parts List

### Distiller Head Assembly, PWS, 8GPD Automatic

<b>Item #</b>	<b>Part #</b>	<b>Description</b>	<b>Qty</b>
1	012008	Screw, Mach, #10-24x3/8",Oval Hd 4	
2	010000	Screw, Sht Mtl, #10-12 x 1/2", SS	14
3	500127	Cover, Top, 8GPD, Auto	1
4	500111	Gasket, Lid	1
5	500240	Insulation, 8GPD Auto Boil. Sides	1
6	500128	Cover, Front, 8GPD Auto	1
7	054004	Bushing, Snap, 1.25"	1
8	500126	Body, 8GPD Automatic	1
9	030016	Elbow, 90, 3/4 MPT x 3/4 FPT	1
10	030009	Valve, Ball, 3/4 FPT BE, FF	1
11	030017	Nipple, Close, 3/4 MPT	1
12	030015	Coupler, 3/4 MPT x 1"HB	1
13	030018	Elbow,90, 3/4FPT BE	1
14	500114	Divider, 8GPD Auto	1
15	500241	Insulation, 8GPD Auto Boil. Bot.	1
16	500129	Cover, Rear, 8GPD Auto	1

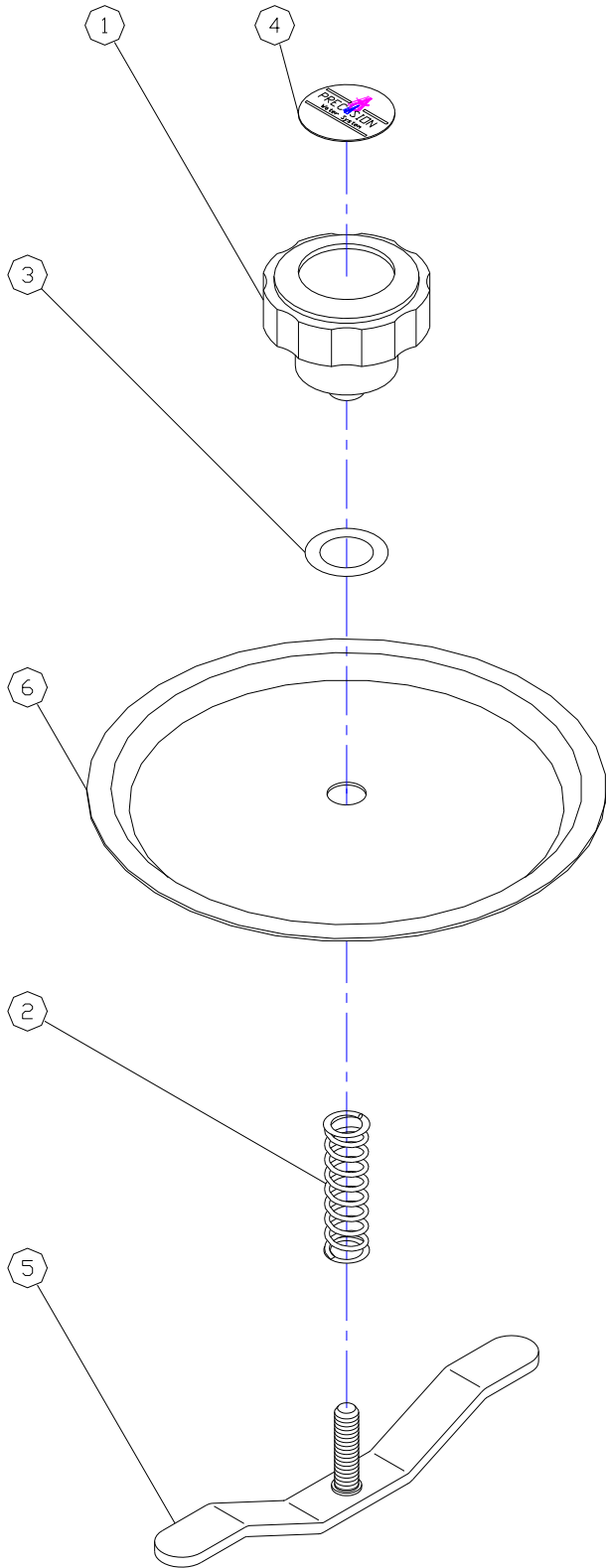
# 094076, Exploded Parts List Distiller Head Assembly, PWS, 8GPD Automatic



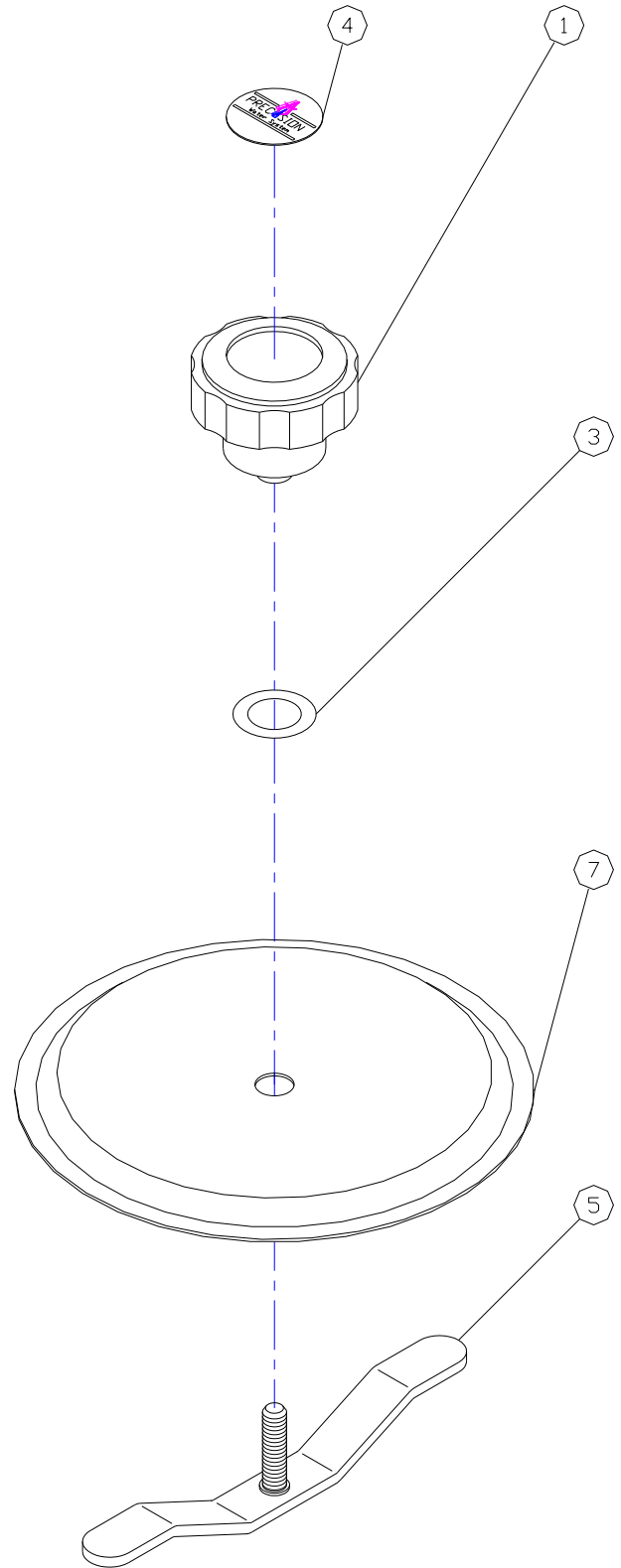
## 094074, Exploded Parts List Boiling Tank & Holding Tank Lids Assemblies

<u>Item #</u>	<u>Part #</u>	<u>Description</u>	<u>Qty</u>
1	080053	Knob, Black Phenolic, ¼-20	1
2	080058	Spring, BT, Lid, SS	1
3	080064	O-Ring, Lid Knob, Buna 112	1
4	080106	Inlay, Knob, PWS	1
5	500115	Tee Bar, Studded, 5.5"	1
6	500118	Lid, B/T, Disc, SS, 5/5"	1
7	500119	Lid, H/T, Disc, SS, 5.5"	1

# 094074, Exploded Parts List Boiling & Holding Tank Lids Assemblies, PWS



BOILING TANK  
LID ASSEMBLY  
(PART # 500184)



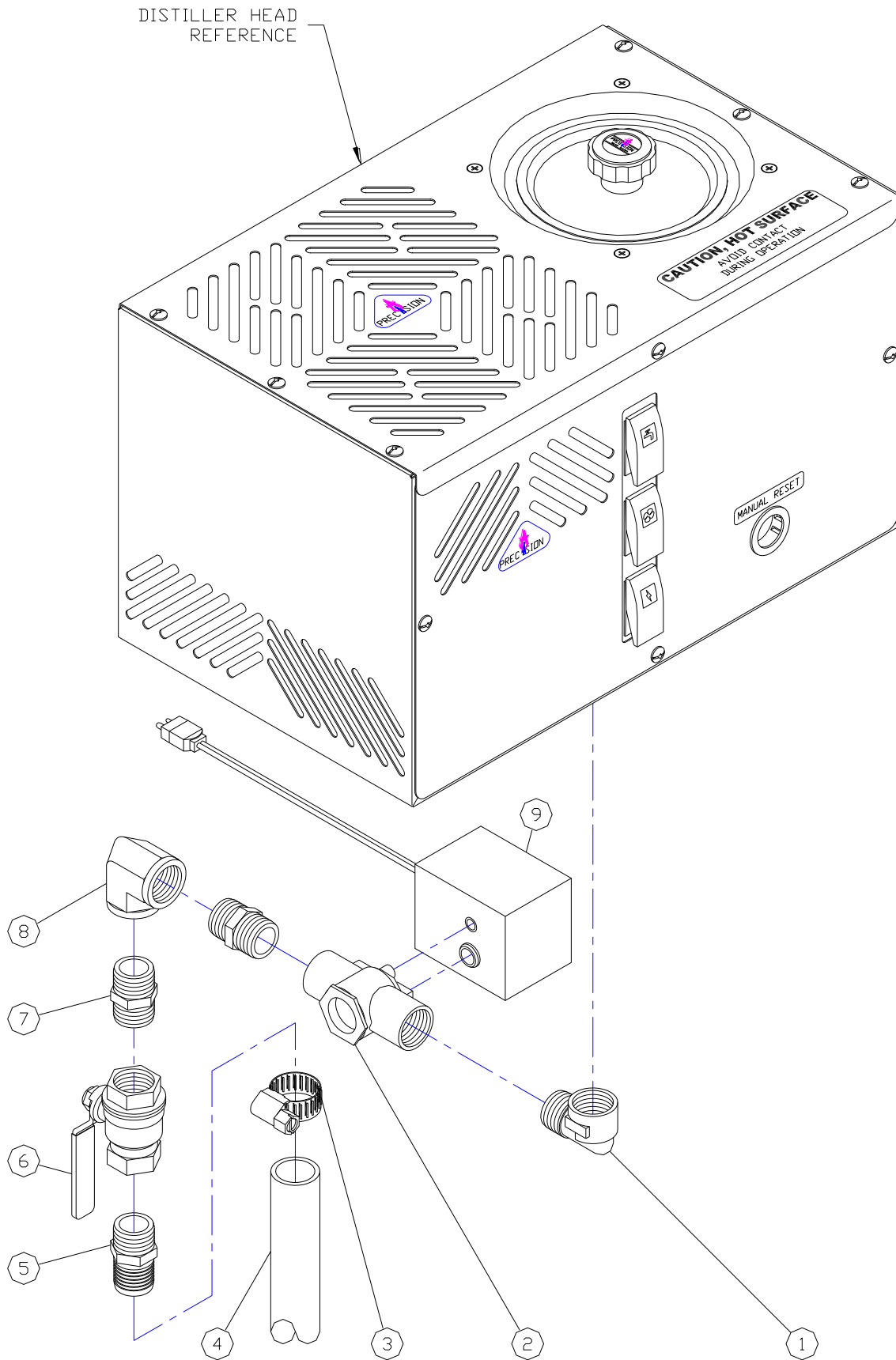
HOLDING TANK  
LID ASSEMBLY  
(PART # 500248)

## 094071, Exploded Parts List Automatic Electric Drain Assembly, AED-1

<b>Item #</b>	<b>Part #</b>	<b>Description</b>	<b>Qty</b>
1	030016	Elbow,90, 3/4 "FPT x 3/4" MPT	1
2	080077	Valve, Drain, 3/4FPT, NO	1
3	080121	Clamp, Gear, 1-1/4"	1
4	052005	Tubing, 1x1-1/4"	1
5	030015	Coupler, 3/4MPTx1"HB	1
6	030009	Valve, Ball, 3/4FPT BE, FF	1
7	030017	Nipple, Close, 3/4MPT	2
8	030018	Elbow, 90, 3/4FPT	1
9	500310	PWS AED Motor Ass'y,W/Cord,120V	1
	500311	PWS AED Motor Ass'y,W/Cord,240V	1



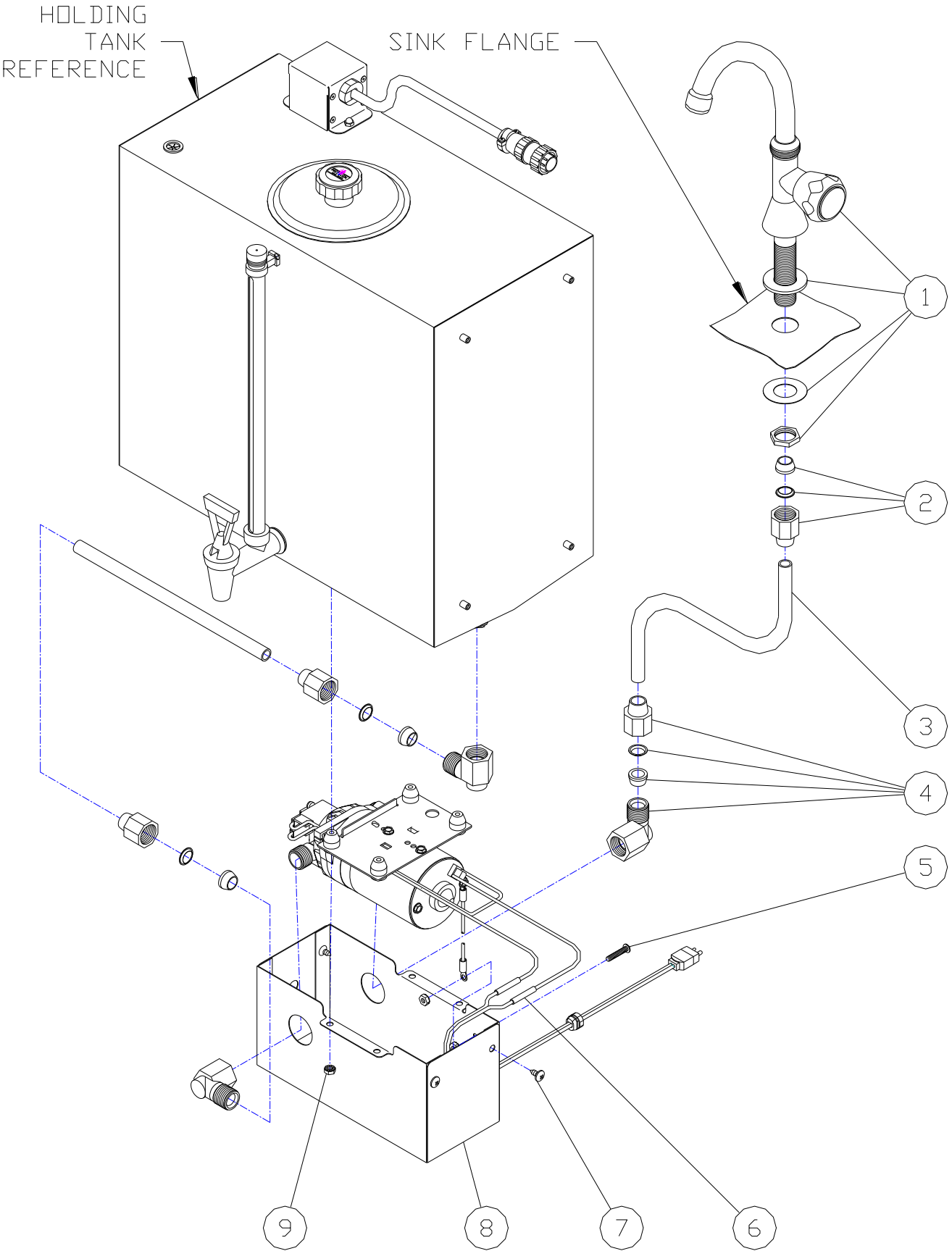
# 094071, Exploded Parts List Automatic Electric Drain Assembly, AED-1



## 094094, Exploded Parts List Automatic Pump Assembly, APK-1

<b>Item #</b>	<b>Part #</b>	<b>Description</b>	<b>Qty</b>
1	080052	Faucet, Chrome	1
2	034003	Nut/Cone/Ring Set, 1/2" OD	1
3	052001	Tubing, LDPE, 3/8" x 1/2"	1
4	034022	Elbow, 90, 1/2FPT x 1/2OD Tube	3
5	012000	Screw, Mach, Pltd, #10-24 x1	1
6	066006	Butt Splice, 18-22AWG, Red	2
7	010002	Screw, Shtmtl, Pltd, #10-12 x 1/2"	4
8	500191	Pump Box	1
9	026000	Nut, Kep, #10-24	6

# 094094, Exploded Parts List Automatic Pump Assembly, APK-1

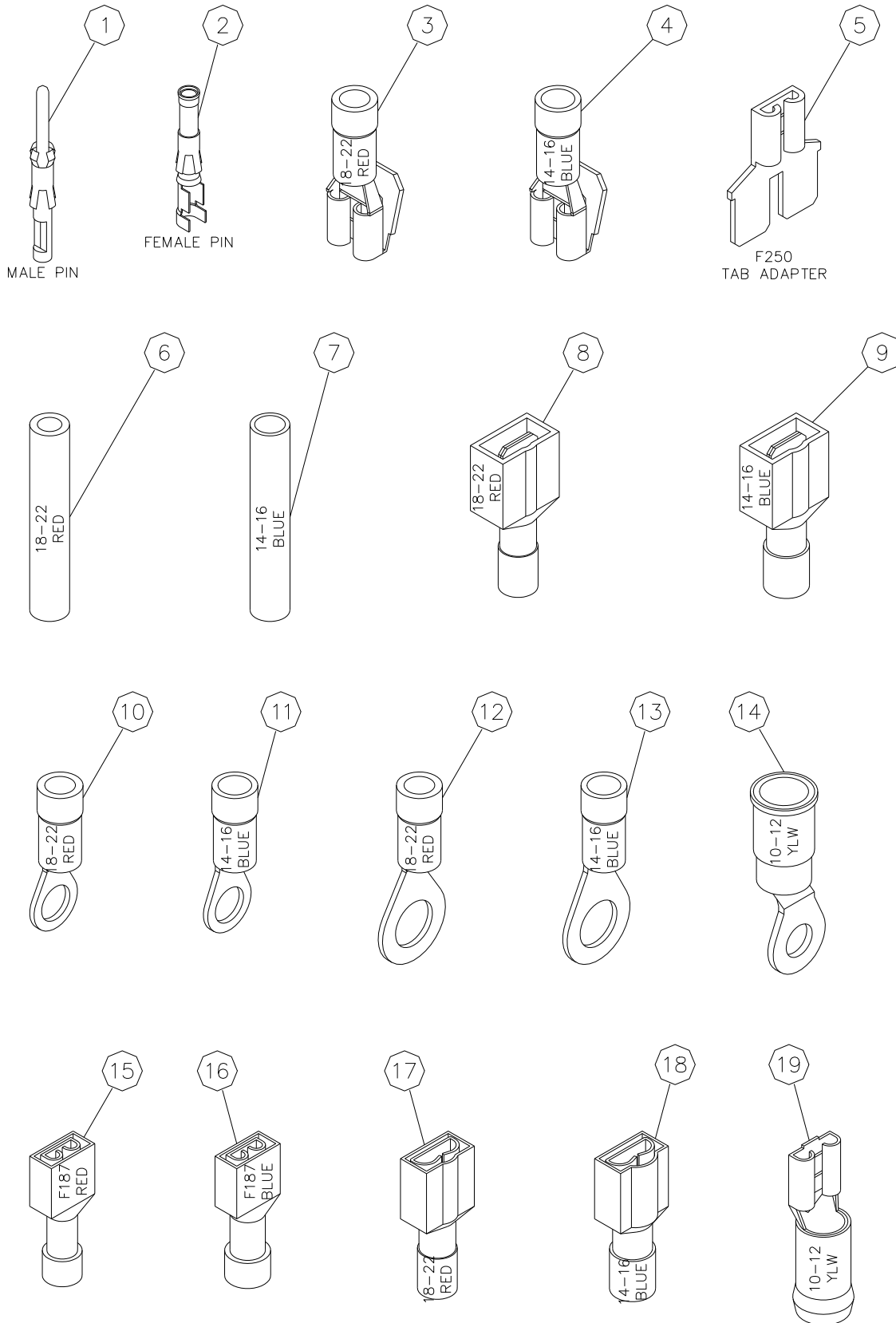


## 094109, Exploded Parts List Electrical Terminals

Item #	Part #	Description
1	060016	Pin, Male, Circular
2	060017	Pin, Female, Circular
3	066014	Receptacle, Pigg, F250, #18-22 AWG, Red
4	066004	Receptacle, Pigg, F250, #14-16 AWG, Blue
5	066013	Tab Adapter, F250
6	066006	Butt Splice, #18-22 AWG, Red
7	066005	Butt Splice, #14-16 AWG, Blue
8	060012	Tab, 250, #18-22 AWG, Red
9	066011	Tab, 250, #14-16 AWG, Blue
10	066008	Ring, #10, #18-22 AWG, Red
11	066007	Ring, #10, #14-16 AWG, Blue
12	066010	Ring, ¼", #18-22 AWG, Red
13	066009	Ring, ¼", #14-16 AWG, Blue
14	066016	Ring, #10, #10-12 AWG, Yellow
15	066003	Receptacle, F187, #18-22 AWG, Red
16	066001	Receptacle, F187, #14-16 AWG, Blue
17	066002	Receptacle, F250, #18-22 AWG, Red
18	066000	Receptacle, F250, #14-16 AWG, Blue
19	066015	Receptacle, F250, #10-12 AWG, Yellow

# 094109, Exploded Parts List

## Electrical Terminals



# Wiring List, Precision Pure 8-8 (8GPD Auto), PART # 500247

No.	Part#	Color	Ga	Length	From Conn.	ToConn.	From Location	To Location
1	500232	GRN	16	3"	#10RING#14-#16	POWER CORD	GROUND	POWER CORD
2	500232	BLK	16	14.5"	F250 #14-#16	POWER CORD	POWER SWITCH #2	POWER CORD
3	500232	WHT	16	14.5"	#10RING#14-#16	POWER CORD	RESET SWITCH #4	POWER CORD
4	500233	BLKor	18	10"	PIGG#18-#22&PIGG#18-#22	FAN MOTOR (ORG/BLU)	HEATER RELAY #1	FAN MOTOR
5	500233	BLKor	18	11"	F250#18-#22&PIGG#18-#22	FAN MOTOR (YLW/WHT)	FAN SWITCH #2	FAN MOTOR
6								
7								
8								
9	095001	BLK	16	7"	#10RING#14-#16	F187 #14-#16	RESET SWITCH #1	Lower Microswitch COM
10	095000	GRN	16	20"	PIGG#14-#16	F250 #14-#16	HEATER RELAY #5	SOLENOID VALVE A
11	095030	BLK	16	19"	F187 #14-#16	F250 #14-#16	Upper Microswitch COM	SOLENOID VALVE B
12	500236	BLK	18	3.5"	F250 #18-#22	PUMP RECEPTACLE	FUSE SIDE	PUMP RECEPTACLE (SMOOTH)
13	500236	BLK	18	20"	#10RING#18-#22	PUMP RECEPTACLE	RESET SWITCH #3	PUMP RECEPTACLE
14	095002	ORG	16	16"	#10RING#14-#16	FPIN	RESET SWITCH #3	HOLDING TANK RECEPTACLE #1
15	095003	BLU	16	16"	F250 #14-#16	FPIN	HEATER RELAY #3	HOLDING TANK RECEPTACLE #2
16	095004	YLW	16	7"	PIGG#14-#16	FPIN	SOLENOID VALVE A	HOLDING TANK RECEPTACLE #3
17	095005	RED	16	19"	F250 #14-#16	FPIN	PUMP RELAY #5	HOLDING TANK RECEPTACLE #4
18	095006	RED	16	8"	F250 #14-#16	#10 RING #14-#16	POWER SWITCH #3	RESET SWITCH #2
19	500237	BLK	18	16"	PIGG#18-#22	DRAIN RECEPTACLE	WATER SWITCH #7	DRAIN RECEPTACLE
20	500237	BLK	18	16"	#10RING#18-#22	DRAIN RECEPTACLE	RESET SWITCH #1	DRAIN RECEPTACLE
21	095007	WHT	16	4"	#10RING#14-#16	#10 RING #14-#16	RESET SWITCH #1	HEATING ELEMENT "A"
22	095008	YLW	16	13"	F250 #14-#16	#10 RING #14-#16	HEATER RELAY #1	HEATING ELEMENT "B"
23	095009	BRN	16	7"	F250 #14-#16	PIGG#14-#16	PUMP RELAY #6	POWER SWITCH #2
24	095010	WHT	16	3"	PIGG#14-#16	F250 #14-#16	PUMP RELAY #3	PUMP RELAY #6
25	095011	GRN	16	19"	F250 #14-#16	F250 #14-#16	PUMP RELAY #4	FUSE END
26	095010	WHT	16	3"	PIGG#14-#16	F250 #14-#16	HEATER RELAY #5	HEATER RELAY #4
27	095012	BRN	16	12"	F250 #14-#16	#10 RING #14-#16	HEATER RELAY #2	RESET SWITCH #3
28	095013	ORG	16	8"	F250 #14-#16	#10 RING #14-#16	FAN SWITCH #3	RESET SWITCH #1
29	095014	RED	16	11"	#10 RING #14-#16	F250 #14-#16	HEATING ELEMENT "B"	POWER SWITCH #7
30	095010	WHT	16	3"	F250 #14-#16	PIGG#14-#16	FAN SWITCH #6	POWER SWITCH #7
31	095010	WHT	16	3"	F250 #14-#16	PIGG#14-#16	FAN SWITCH #7	FAN SWITCH #2
32	095015	BRN	16	12"	F250 #14-#16	#10 RING #14-#16	FAN SWITCH #8	RESET SWITCH #4
33	095016	BLU	16	11"	F250 #14-#16	#10 RING #14-#16	POWER SWITCH #8	RESET SWITCH #4
34	095010	WHT	16	3"	F250 #14-#16	PIGG#14-#16	POWER SWITCH #6	POWER SWITCH #3
35	095017	BLU	16	10"	F250 #14-#16	F250 #14-#16	HEATER RELAY #4	WATER SWITCH #7
36	095018	GRN	16	14"	F250 #14-#16	#10 RING #14-#16	WATER SWITCH #8	RESET SWITCH #4
37	095019	BRN	16	21"	F250 #14-#16	PIGG#14-#16	WATER SWITCH #6	SOLENOID VALVE B
38	095020	YLW	16	5"	F250 #14-#16	PIGG#14-#16	WATER SWITCH #2	FAN SWITCH #3
39	095021	GRN	16	13"	F187 #14-#16	F250 #14-#16	Lower Microswitch NC	HEATER RELAY #6
40	095022	ORG	16	14"	F187 #14-#16	F250 #14-#16	Upper Microswitch NC	WATER SWITCH #3

# 500247, Exploded Parts List Wiring Diagram, PWS, 8GPD Auto

