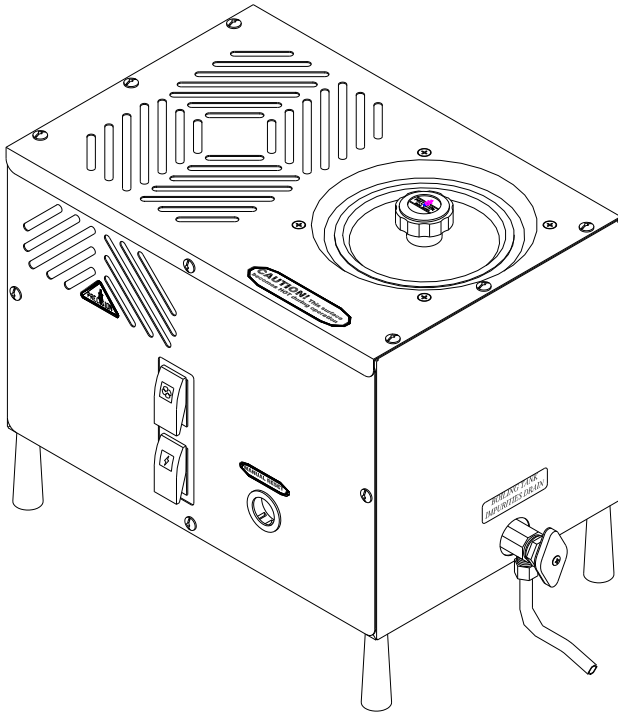


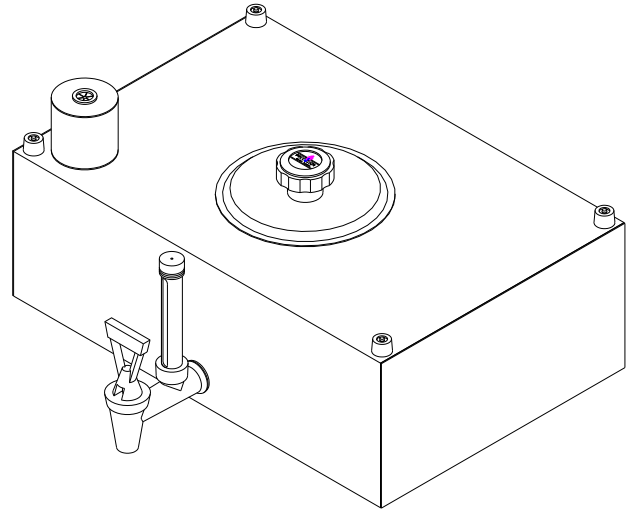


REPLACEMENT PARTS MANUAL

FOR MODEL: PWS 8-M(120VAC), PWS 8-M240VAC) & PWS 8-MST
PART # 500000 500012 500001
SERIES 0002 0002 0001



MODEL PWS 8M



MODEL PWS 8-MST

PRECISION WATER SYSTEMS WATER DISTILLER

MANUFACTURED BY:
PRECISION DESIGN & MANUFACTURING INC.
10331 - 105th STREET
WESTLOCK, ALBERTA, CANADA, T7P 2H7
e-mail: info@precisioncanada.com
PHONE (780) 349-4933
FAX (780) 349-4957

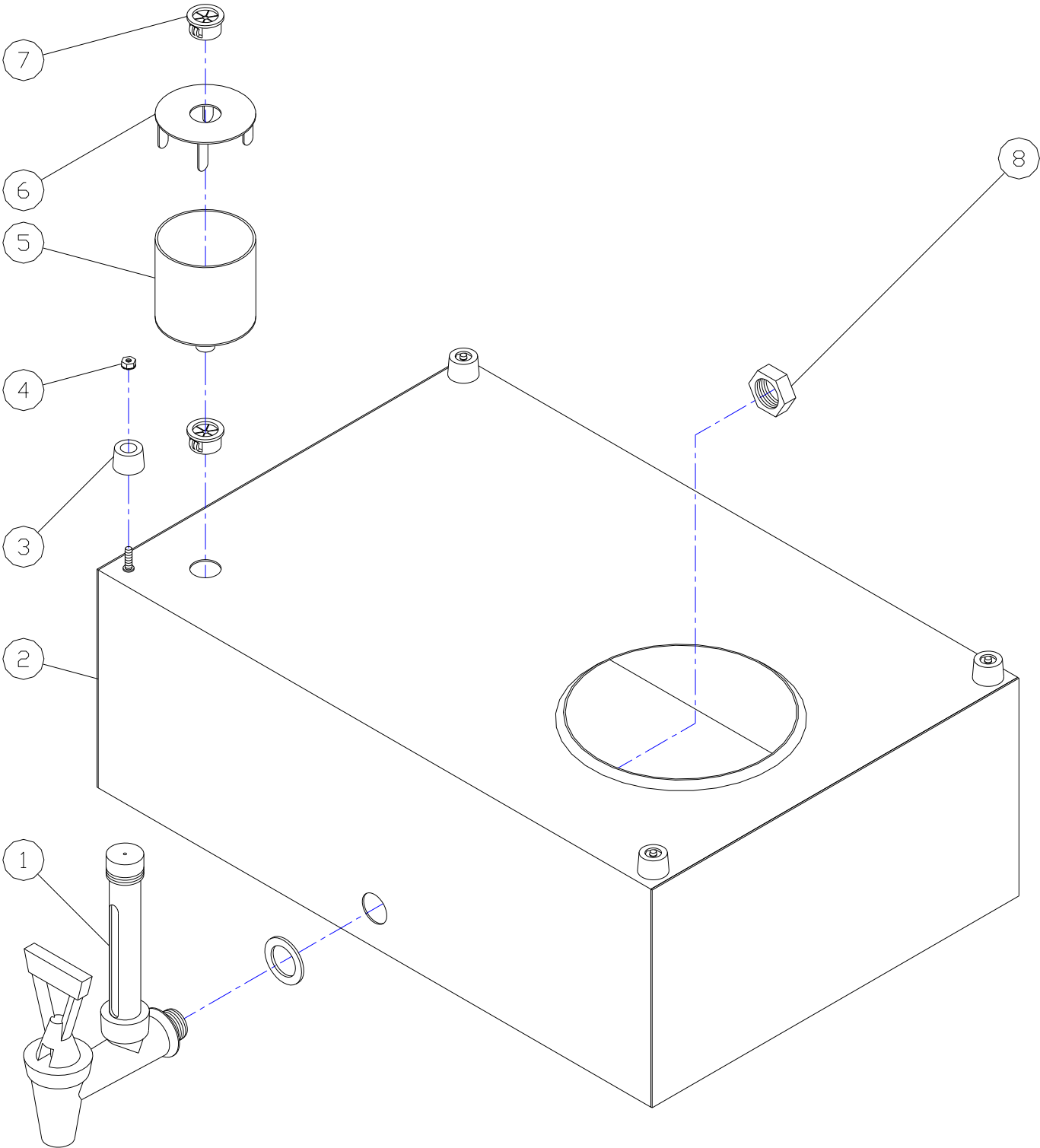
TABLE OF CONTENTS

	<u>Page</u>
1. 094080- Holding Tank Assembly, 8-3MST	4 & 5
2. 094111B Boiler Assembly, 8GPD Manual	6 & 7
3. 094079S2 Distiller Body Assembly, 8GPD Manual	8 & 9
4. 094078S2 Distiller Head Assembly, 8GPD Manual	10 & 11
5. 094074A Boiling Tank & Holding Tank Lids Assemblies, PWS	12 & 13
6. 094109- Electrical Terminals	14 & 15
7. 500246- Wiring Schematic	16 & 17

094080-, Exploded Parts List Holding Tank Assembly, 8-3MST

Item #	<u>Part #</u>	<u>Description</u>	<u>Qty</u>
1	080078	Valve, HT, 4" (includes nut & washer)	1
2	500196	Holding Tank WA, 3 Gallon	1
3	054019	Foot, 5/8" Dia, x 7/16" High, Blk	4
4	026002	Nut, Kep, Pltd, #6-32	4
5	500258	Filter Housing, WA, 8-M	1
6	500260	Filter Cap, 2", WA	1
7	054005	Bushing, Wire, 5/8'	2
8	080132	Nut, Jam 3/8, Blk	1

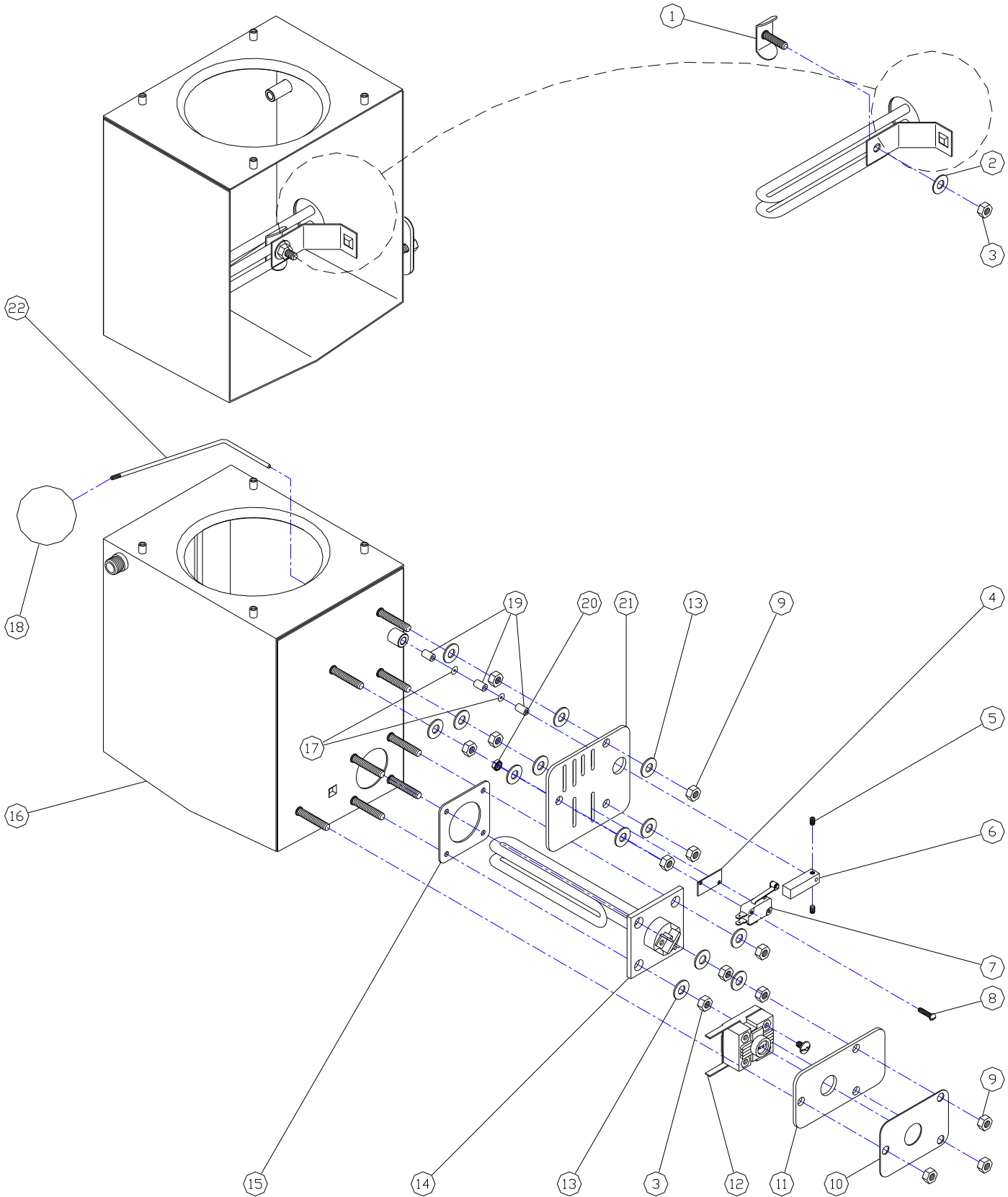
094080-, Exploded Parts List Holding Tank Assembly, 8-3MST



094111B, Exploded Parts List Boiler Assembly, 8GPD Manual

Item #	Part #	Description	Qty
1	500182	Clip, Heater, Studded	1
2	018009	Washer, 5/16" x 1-1/4" x 18ga SS	1
3	025000	Nut, Hex, 1/4" SS	5
4	500289	Shim, Microswitch	1
5	016014	Set Screw, Blk, #6-32 x .25", Cup Pt.	2
6	500278	Bar Actuator, Boiler Float	1
7	060058	Microswitch, Short Roller Arm	1
8	012003	Screw, Machine, Pltd, #4-40 x 3/4"	2
9	025002	Nut, Hex, 1/4" Pltd.	9
10	500153	Cover, Reset, SS	1
11	400010	Reset Plate, Lexan	1
12	060000	Switch, Thermo-reset	1
13	018004	Washer, 5/16" x 11/16" x 20ga SS	11
14	060001	Heating Element, 120V, 1100W	1
	060002	Heating Element, 240V, 1100W	1
15	500100	Gasket, Heater	1
16	500273	Boiler WA, 8GPD Manual, Series 2	1
17	080128	O-Ring, 1/16" x 1/8" x 1/4"	2
18	080117	Float Ball, SS, 2" Round, #6-32	1
19	080127	Bushing, Nylon	3
20	026003	Nut, Kep, #4-40	2
21	500266	Plate, Microswitch	1
22	500288	Rod, Boiler Float	1

094111B, Exploded Parts List Boiler Assembly, PWS, 8GPD Manual

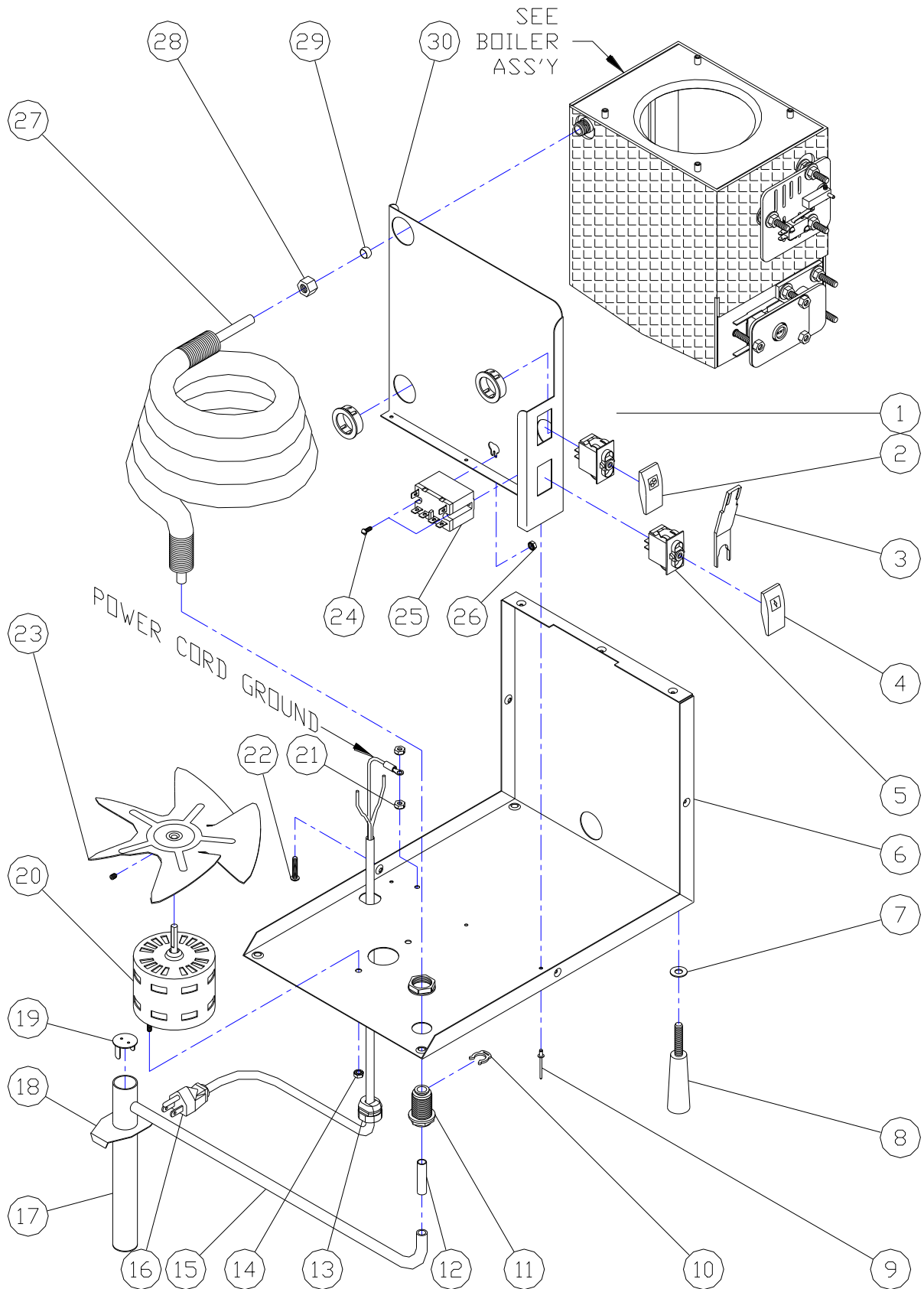


094079S2, Exploded Parts List Distiller Body Assembly, PWS, 8GPD Manual

Item #	Part #	Description	Qty
1	060030	Actuator, Grey, Amber-Fan	1
2	080134	Tool, Actuator Removal	1
3	060029	Actuator, Grey, Red-Power	1
4	060028	Switch Base, 120/240V SPST	2
5	500139	Body, 8GPD Manual	1
6	018004	Washer, 5/16" x 11/16" x 20ga SS	4
7	054009	Leg, 2-1/2", Plastic Tapered, 5/16	4
8	016004	Rivet, Aluminum, 1/8" x 5/16"	4
9	034021	Locking Clip, 3/8" JG	1
10	034011	Bulkhead, 3/8" JG	1
11	500202	Tube, 3/8OD x 1-1/2"	1
12	054002	Strain Relief, 7K-2	1
13	026001	Nut, Kep, Pltd., 8-32	2
14	052002	Tubing, 5/16" x 7/16"	1
15	500287	Power Cord Assembly, 16-3NA, 8GPD Manual	1
16	500211	Post Filter	1
17	500198	Clip, Post Filter	1
18	500262	Post Filter Cap	1
19	060049	Motor, 120/240 Dual Voltage	1
20	012000	Screw, Machine, Pltd., #10-24 x 1"	1
21	026000	Nut, Kep, Pltd., #10-24	2
22	080045	Fan Blade, 7"	1
23	012009	Screw, Machine, Plate, #6-32 X 1/2"	2
24	060018	Relay, Black, 120V	1
	060019	Relay, Black, 240V	1
25	026002	Nut, Kep, Plate, #6-32	2
26	054004	Bushing, Snap, 1-1/4"	2
27	500263	Cooling Coil Assy, 8GPD Manual	1
28	030013	Nut, Pltd, 3/8" Comp.	1
29	030012	Ferrule, 3/8"	1
30	500140	Divider, 8GPD Manual	1

094079S2, Exploded Parts List

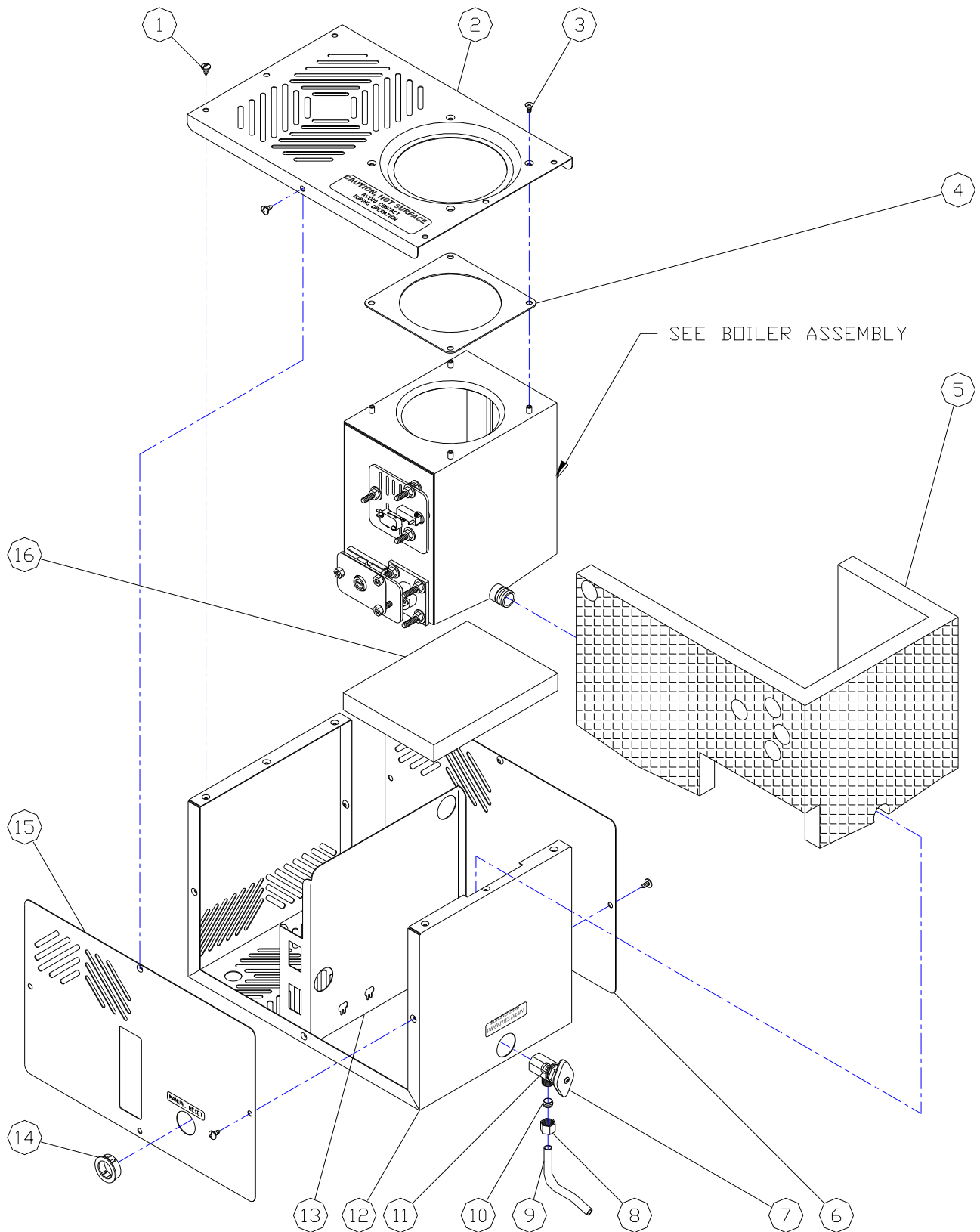
Distiller Body Assembly, PWS, 8GPD Manual



094078S2, Exploded Parts List Distiller Head Assembly, PWS, 8GPD Manual

Item #	Part #	Description	Qty
1	010000	Screw, ShtMtl, #10-12 x ½", SS	14
2	500141	Cover, Top, 8GPD Manual	1
3	012008	Screw, Mach, #10-24x3/8", OvalHd	4
4	500111	Gasket, Lid	1
5	500214	Insulation, 8GPD Man. Boil. Sides	1
6	500143	Cover, Rear, 8GPD Manual	1
7	400000	Drain Valve, Impurities (includes nut and ferrule)	1
8	036013	Nut, Compression, 3/8" Pltd	1
9	500212	Tube, Manual Drain	1
10	030012	Ferrule, 3/8"	1
11	080065	Washer, Impurities Drain Valve	1
12	500139	Body, 8GPD Manual	1
13	500140	Divider, 8GPD Manual	1
14	054004	Bushing, Snap, 1.25"	1
15	500142	Cover, Front, 8GPD Manual	1
16	500215	Insulation, 8GPD Man. Boil. Bot.	1

094078S2, Exploded Parts List Distiller Head Assembly, PWS, 8GPD Manual

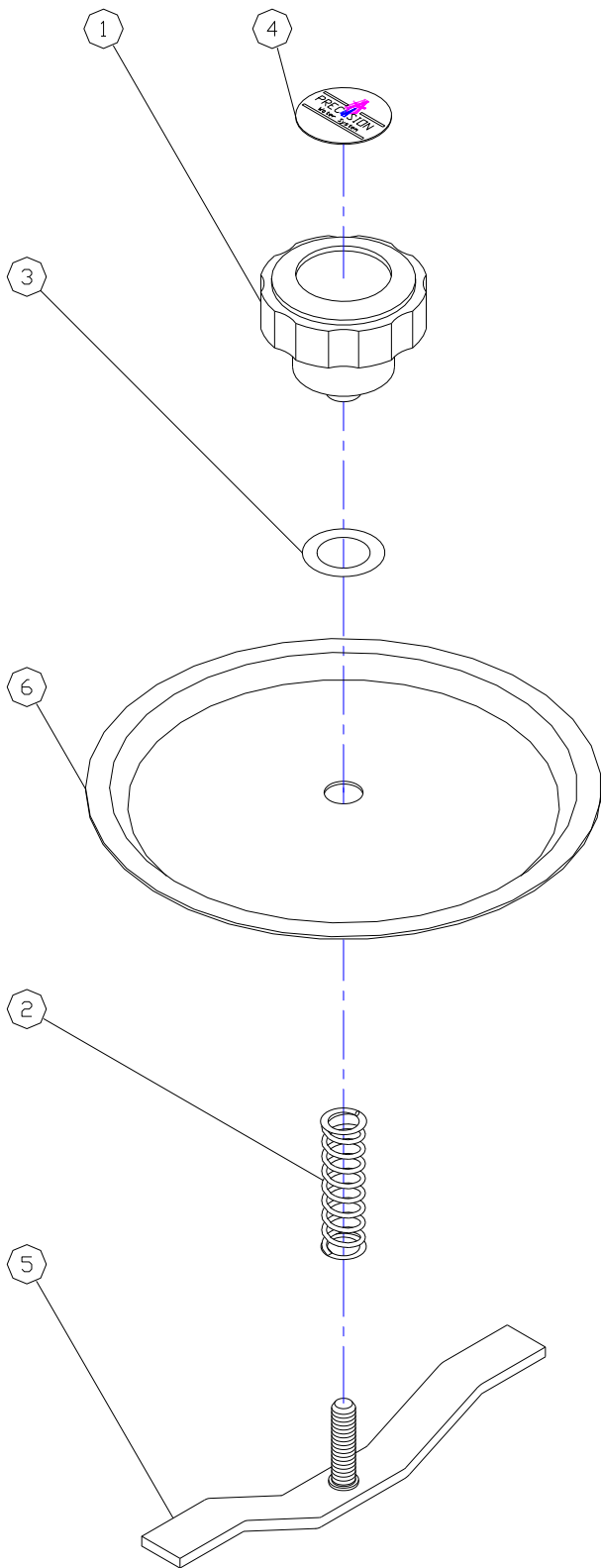


094074A, Exploded Parts List
Boiling Tank & Holding Tank Lids Assemblies, PWS

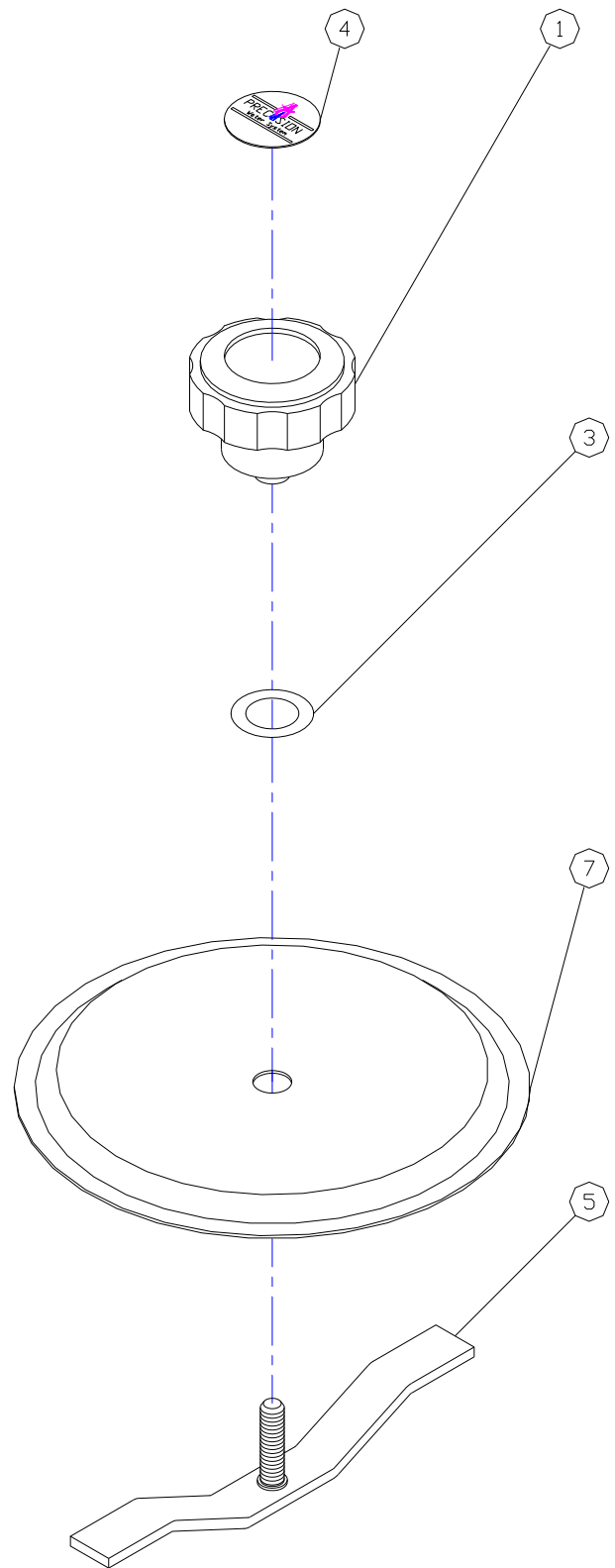
<u>Item #</u>	<u>Part #</u>	<u>Description</u>	<u>Qty</u>
1	080053	Knob, Black Phenolic, ¼-20	1
2	080058	Spring, BT, Lid, SS	1
3	080064	O-Ring, Lid Knob, Buna 112	1
4	080106	Inlay, Knob, PWS	1
5	500115	Tee Bar, Studded, 5.5"	1
6	500118	Lid, B/T, Disc, SS, 5/5"	1
7	500119	Lid, H/T, Disc, SS, 5.5"	1

094074A, Exploded Parts List

Boiling Tank & Holding Tank Lids Assemblies, PWS



BOILING TANK
LID ASSEMBLY
(PART # 500184)



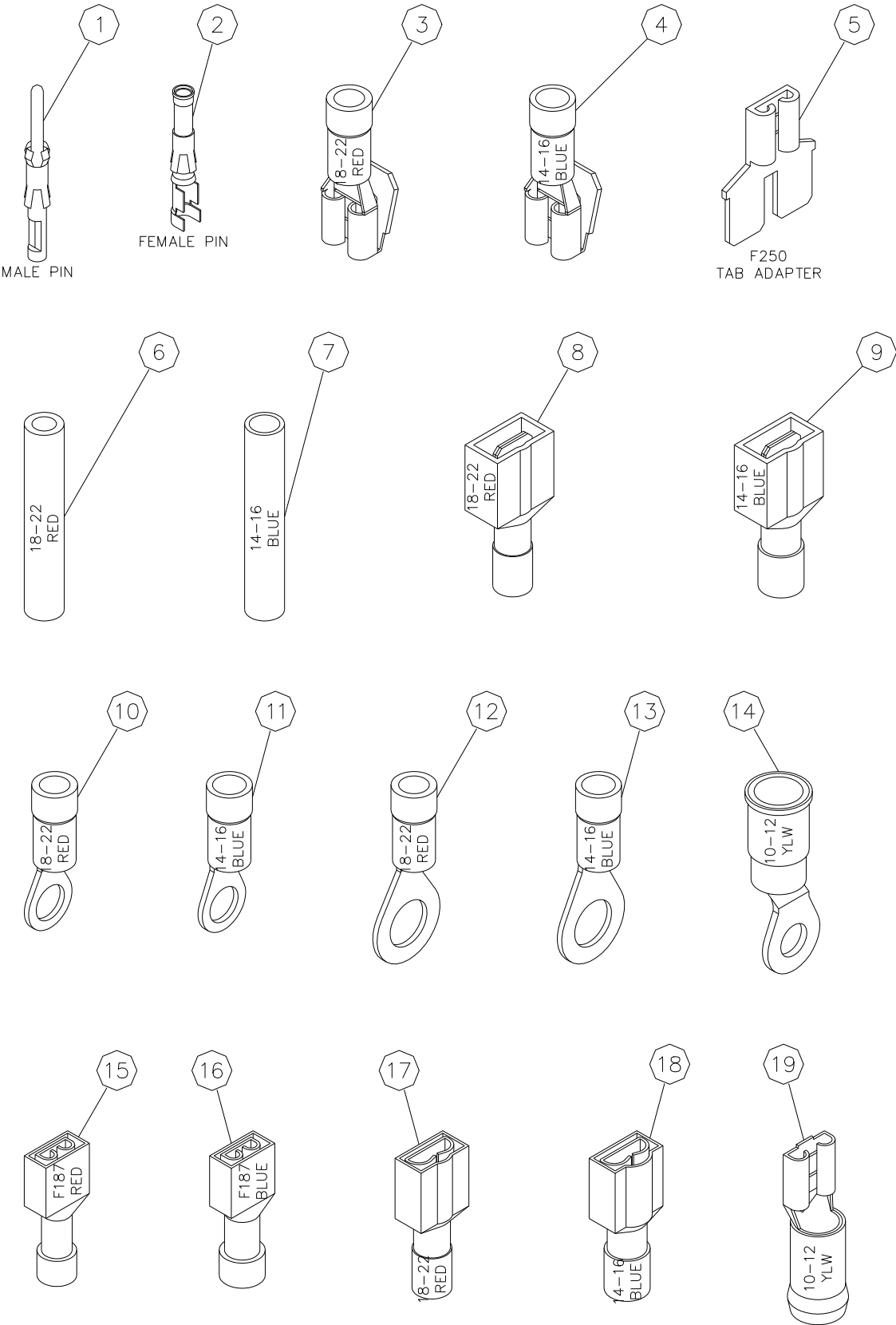
HOLDING TANK
LID ASSEMBLY
(PART # 500248)

094109-, Exploded Parts List Electrical Terminals

Item #	Part #	Description
1	060016	Pin, Male, Circular
2	060017	Pin, Female, Circular
3	066014	Receptacle, Pigg, F250, #18-22 AWG, Red
4	066004	Receptacle, Pigg, F250, #14-16 AWG, Blue
5	066013	Tab Adapter, F250
6	066006	Butt Splice, #18-22 AWG, Red
7	066005	Butt Splice, #14-16 AWG, Blue
8	060012	Tab, 250, #18-22 AWG, Red
9	066011	Tab, 250, #14-16 AWG, Blue
10	066008	Ring, #10, #18-22 AWG, Red
11	066007	Ring, #10, #14-16 AWG, Blue
12	066010	Ring, ¼", #18-22 AWG, Red
13	066009	Ring, ¼", #14-16 AWG, Blue
14	066016	Ring, #10, #10-12 AWG, Yellow
15	066003	Receptacle, F187, #18-22 AWG, Red
16	066001	Receptacle, F187, #14-16 AWG, Blue
17	066002	Receptacle, F250, #18-22 AWG, Red
18	066000	Receptacle, F250, #14-16 AWG, Blue
19	066015	Receptacle, F250, #10-12 AWG, Yellow

094109-, Exploded Parts List

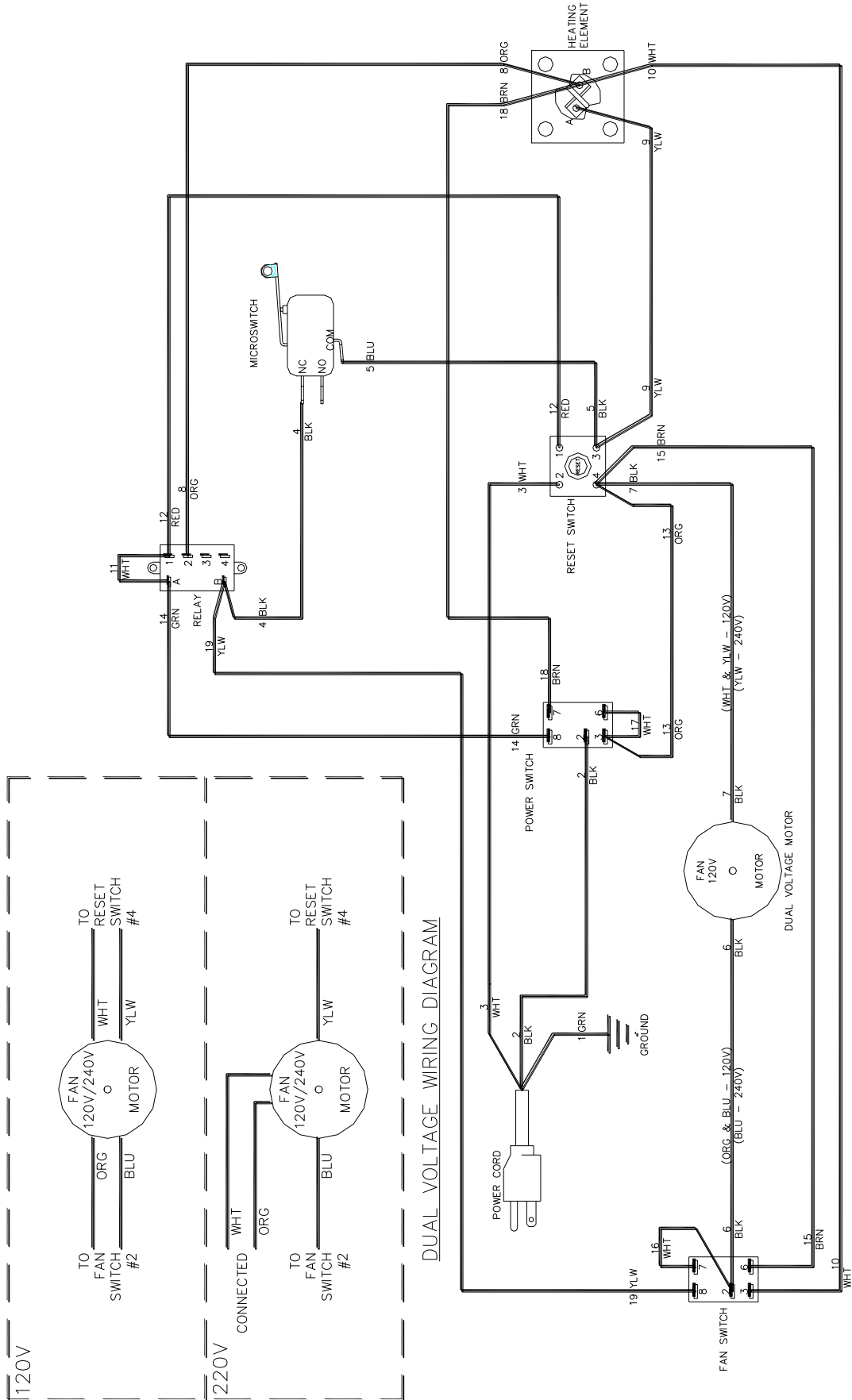
Electrical Terminals



Wiring List - Precision Pure 8-M (8GPD Manual) Part # 500246-Series 2

No.	Part#	Color	Ga	Length	Series 2		From Location	To Location
					From Conn.	ToConn.		
1	500287	GRN	16	3"	#10RING#14-#16	POWER CORD	GROUND	POWER CORD
2	500287	BLK	16	14"	F250 #14-#16	POWER CORD	POWER SWITCH #2	POWER CORD
3	500287	WHT	16	16"	#10RING#14-#16	POWER CORD	RESET SWITCH #2	POWER CORD
4	095xxx	BLK	16	10"	F250 #14-#16	F187 #14-16	RELAY "B" (5)	Microswitch NC
5	500xxx	BLU	16	7"	#10RING#14-#16	F187 #14-16	RESET SWITCH #3	Microswitch COM
6	500xxx	BLK	18	8"	F250#18-#22&PIGG#18-#22	FAN MOTOR (ORG/BLU)	FAN SWITCH #2	FAN MOTOR
7	500xxx	BLK	18	12"	2 (#10RING#18-#22)	FAN MOTOR (YLV/WHT)	RESET SWITCH #4	FAN MOTOR
8	095023	ORG	16	13"	F250 #14-#16	#10 RING #14-#16	RELAY #2	HEATING ELEMENT B
9	095024	YLW	16	6"	#10RING#14-#16	#10 RING #14-#16	RESET SWITCH #3	HEATING ELEMENT A
10	095025	WHT	16	10"	F250 #14-#16	#10 RING #14-#16	FAN SWITCH #3	HEATING ELEMENT B
11	095010	WHT	16	3"	PIGG #14-#16	F250#14-#16	RELAY #1	RELAY "A" (6)
12	095026	RED	16	10"	F250 #14-#16	#10 RING #14-#16	RELAY #1	RESET SWITCH #1
13	095027	ORG	16	8"	F250 #14-#16	#10 RING #14-#16	POWER SWITCH #3	RESET SWITCH #4
14	095030	GRN	16	8"	F250 #14-#16	PIGG #14-#16	POWER SWITCH #8	RELAY "A" (6)
15	095029	BRN	16	9"	F250 #14-#16	#10 RING #14-#16	FAN SWITCH #6	RESET SWITCH #4
16	095010	WHT	16	3"	PIGG #14-#16	F250#14-#16	FAN SWITCH #2	FAN SWITCH #7
17	095010	WHT	16	3"	PIGG #14-#16	F250#14-#16	POWER SWITCH #3	POWER SWITCH #6
18	095031	BRN	16	9"	F250 #14-#16	#10 RING #14-#16	POWER SWITCH #7	HEATING ELEMENT B
19	095032	YLW	16	7.5"	PIGG #14-#16	F250 #14-#16	RELAY #B (5)	FAN SWITCH #8

500246S2, Exploded Parts List Wiring Diagram, PWS, 8GPD Manual, Series 2



DUAL VOLTAGE WIRING DIAGRAM

