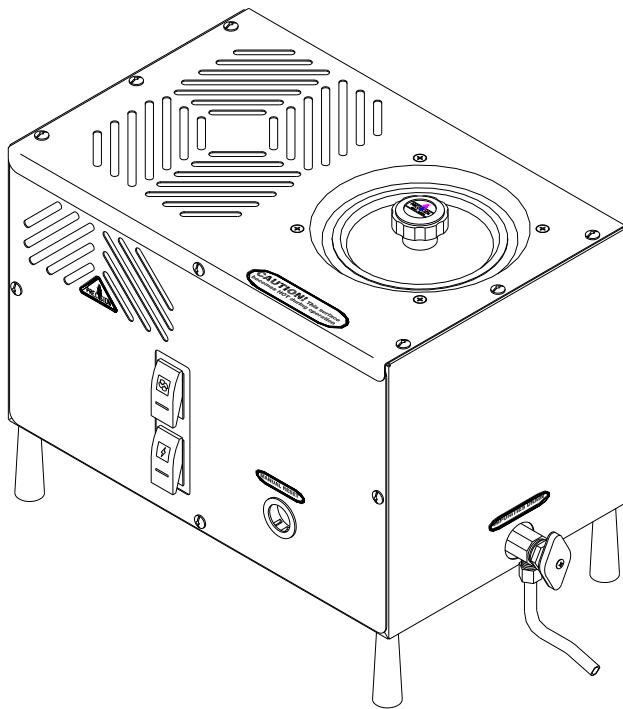


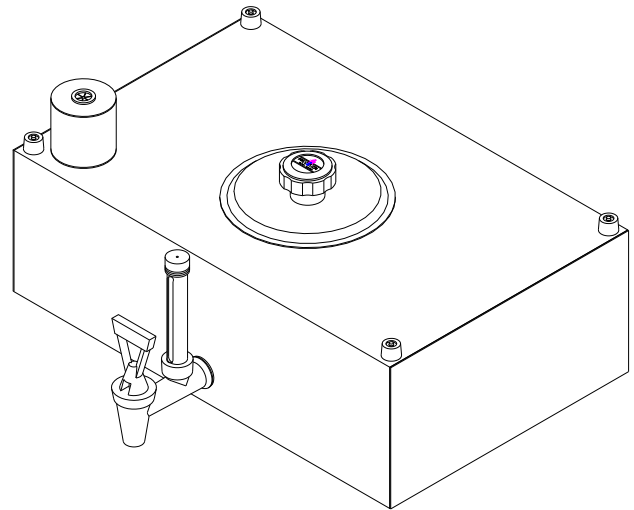


# REPLACEMENT PARTS MANUAL

FOR MODEL: PWS 8-M(120VAC), PWS 8-M(240VAC) & PWS 8-MST  
PART # 500000                      500012                      500001  
SERIES 0014                      0014                      0014



*MODEL PWS 8-M*



*MODEL PWS MST*

## PRECISION WATER SYSTEMS WATER DISTILLER

MANUFACTURED BY:  
PRECISION DESIGN & MANUFACTURING INC.  
10331 - 105<sup>th</sup> STREET  
WESTLOCK, ALBERTA, CANADA, T7P 2H7  
e-mail: [info@precisioncanada.com](mailto:info@precisioncanada.com)  
PHONE (780) 349-4933  
FAX (780) 349-4957



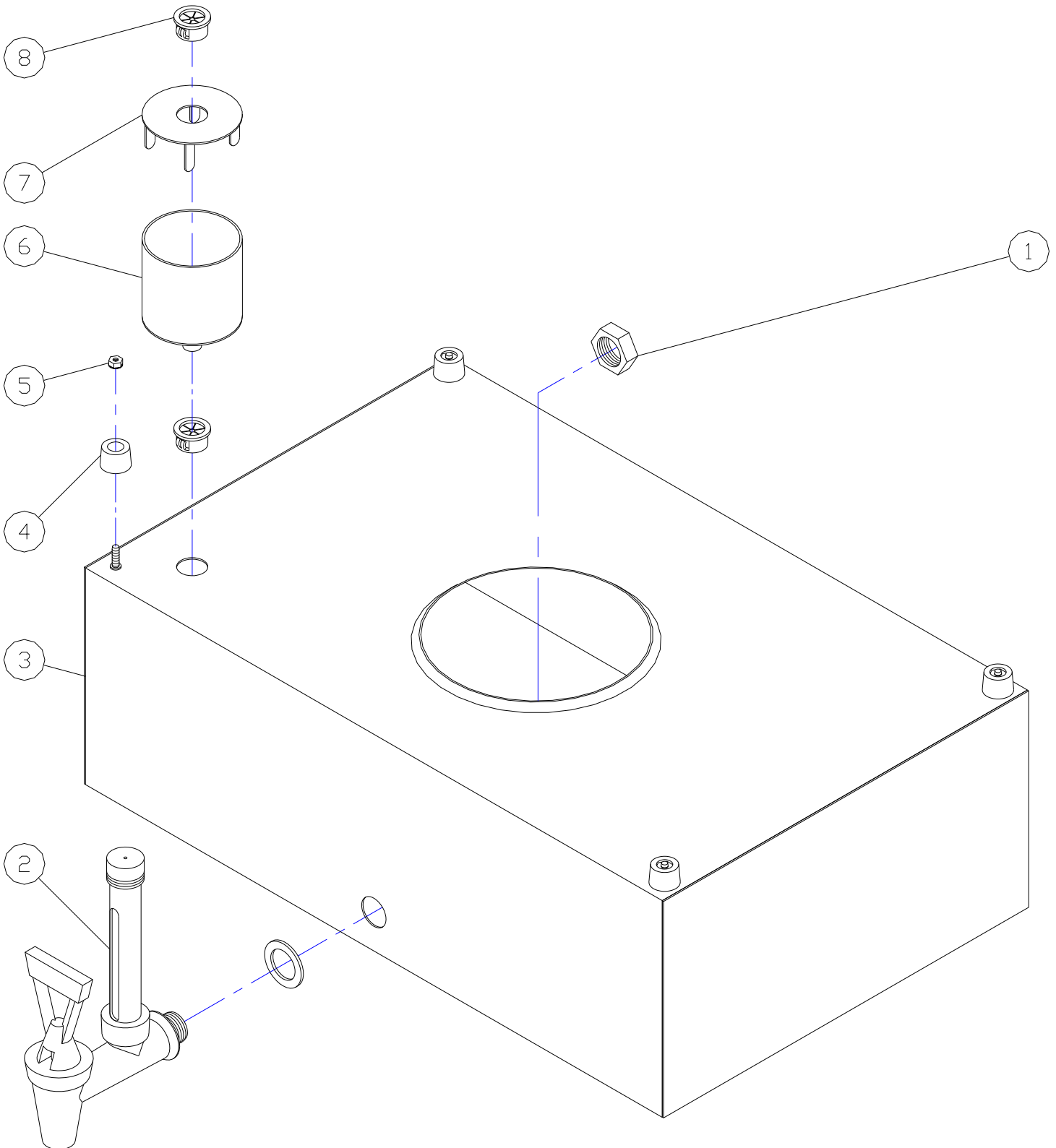
## **TABLE OF CONTENTS**

	<u>Page</u>
1. 094080 Holding Tank Assembly, MST	4 & 5
2. 094111 Boiler Assembly, 8GPD, Manual	6 & 7
3. 094079 Distiller Body Assembly, 8GPD, Manual	8 & 9
4. 094078 Distiller Head Assembly, 8GPD, Manual	10 & 11
5. 094123 Boiling Tank & Holding Tank Lids Assemblies	12 & 13
6. 094109 Electrical Terminals	14 & 15
7. 500246 Wiring Schematic	16 & 17

**094080, Exploded Parts List  
Holding Tank Assembly, MST**

<b>Item #</b>	<b>Part #</b>	<b>Description</b>	<b>Qty</b>
1	080132	Nut, Jam, 3/8", Black	1
2	080078	Valve, Holding Tank, 4" (includes nut & washer)	1
3	500429	Holding Tank WA, MST, S14	1
4	054019	Foot, 5/8" Dia. X 7/16" High, Black	4
5	026002	Nut, Kep, Plated, #6-32	4
6	500258	Filter Housing WA, 8-M	1
7	500260	Filter Cap WA, 2"	1
8	054005	Bushing, Wire, 5/8"	1

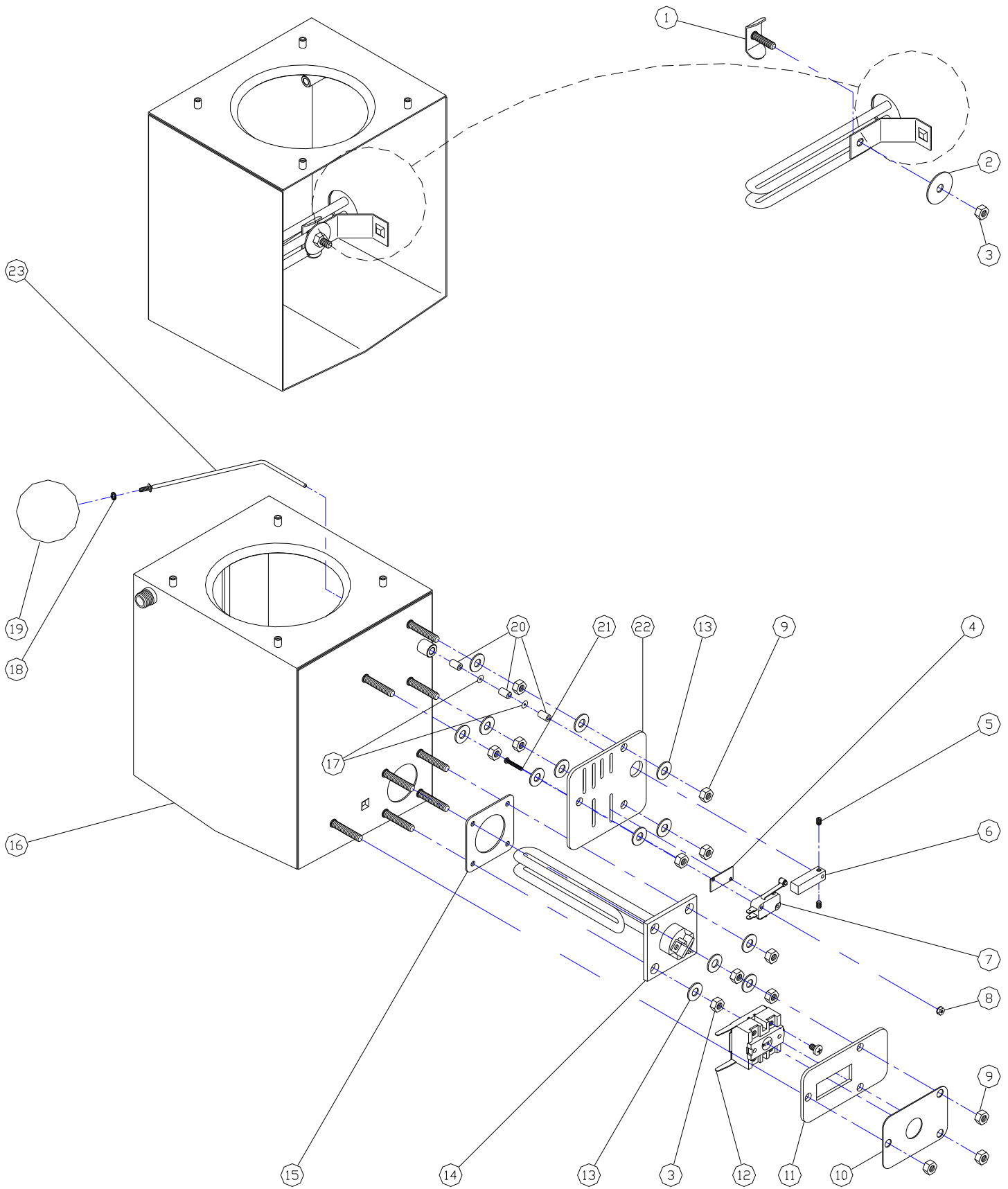
# 094080, Exploded Parts List Holding Tank Assembly, MST



## 094111, Exploded Parts List Boiler Assembly, 8GPD, Manual

<b>Item #</b>	<b>Part #</b>	<b>Description</b>	<b>Qty</b>
1	500182	Clip, Heater, Studded	1
2	018009	Washer, 5/16" X 1-1/4" X 18ga, SS	1
3	025000	Nut, Hex, SS, 1/4"-20	5
4	500289	Shim, Microswitch	1
5	016014	Set Screw, Black, #6-32 X .25", Cup Pt.	2
6	500278	Bar Actuator, Boiler Float	1
7	060058	Microswitch, Short Roller Arm	1
8	026003	Nut, Kep, Plated, #4-40	2
9	025002	Nut, Hex, Plated, 1/4"-20	9
10	500153	Cover, Reset, SS	1
11	500408	Plate, Reset Switch, 66TM, Lexan	1
12	060104	Switch, Thermo, Manual Reset, DPST, RT	1
13	018004	Washer, 5/16" X 11/16" X 20ga, SS	11
14	060001	Heating Element, 120V, 1100W	1
	060002	Heating Element, 240V, 1100W	1
15	500100	Gasket, Heater	1
16	500426	Boiler WA, 8GPD, Manual, S14	1
17	080128	O-Ring, 1/16" X 1/8" X 1/4"	2
18	020002	Washer, Lock, SS, M3.5, External Tooth	1
19	080162	Float Ball, SS, 2-1/4" Round, #6-32	1
20	080127	Bushing, Nylon	3
21	012003	Screw, Machine, Plated, #4-40 X 3/4"	2
22	500266	Plate, Microswitch	1
23	500431	Rod WA, Boiler Float, Manual, S14	1

# 094111, Exploded Parts List Boiler Assembly, 8GPD, Manual

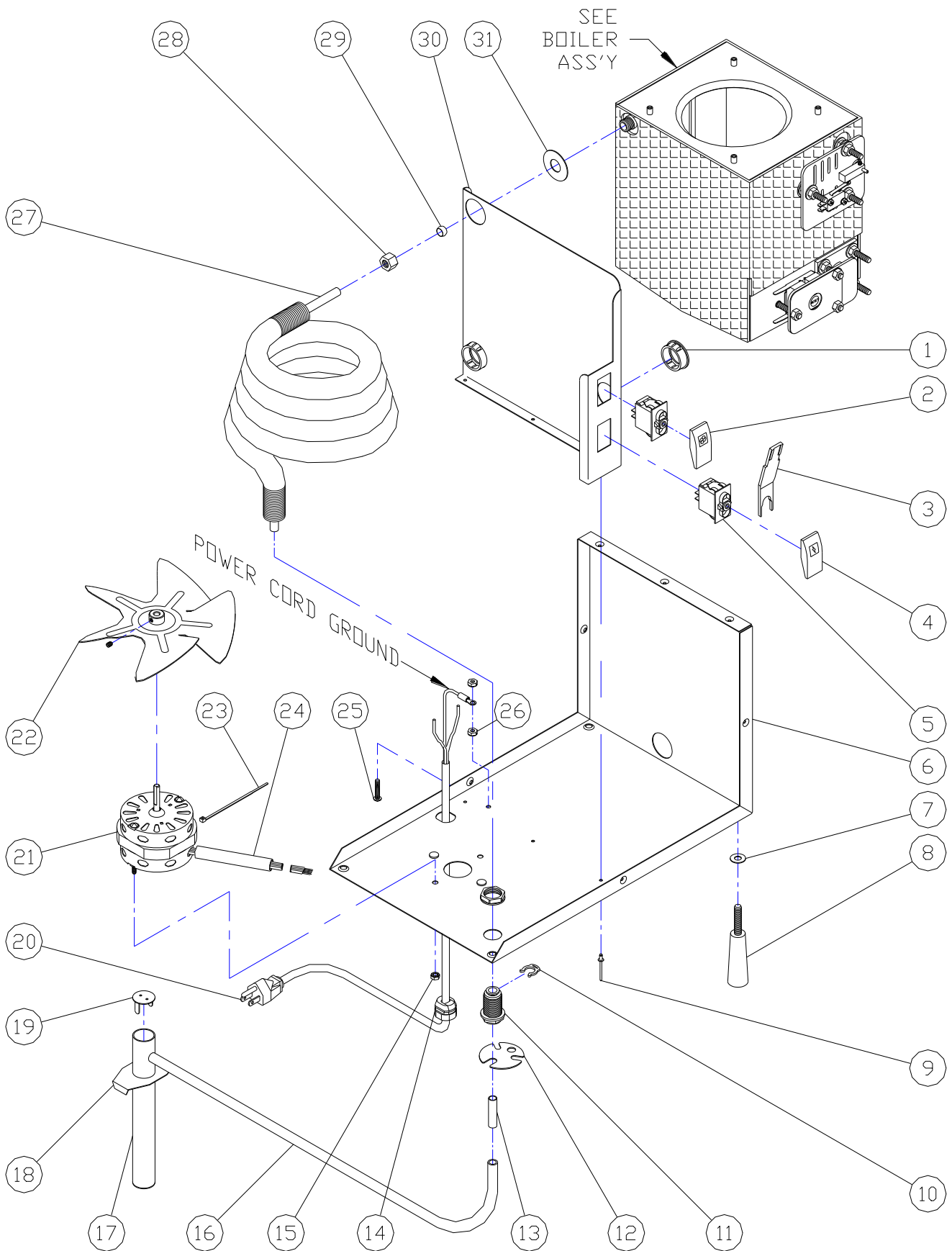


## 094079, Exploded Parts List Distiller Body Assembly, 8GPD, Manual

Item #	Part #	Description	Qty
1	054004	Bushing, Snap, 1-1/4"	2
2	060030	Actuator, Grey, Amber-Fan	1
3	080134	Tool, Actuator Removal	1
4	060029	Actuator, Grey, Red-Power	1
5	060028	Switch Base, 120/240V SPST	2
6	500443	Body, 8GPD, Manual, S14	1
7	018004	Washer, 5/16" X 11/16" X 20ga, SS	4
8	054009	Leg, 2-1/2", Plastic Tapered, 5/16"	4
9	016004	Rivet, Aluminum, 1/8" X 5/16"	4
10	034021	Locking Clip, 3/8" JG	1
11	034011	Bulkhead, 3/8" JG	1
12	500282	Plate, JG Removal Tool	1
13	500202	Tube, SS, 3/8" OD X 1-1/2"	1
14	054002	Strain Relief, 7K-2	1
15	026001	Nut, Kep, Plated, #8-32	2
16	052002	Tubing, 5/16" X 7/16"	1
17	500211	Post Filter Tube WA	1
18	500198	Clip, Post Filter	1
19	500262	Cap WA, Post Filter	1
20	500287	Power Cord Assembly, 16-3NA, 8GPD Manual	1
21	500395	Motor Assembly, 120V, 12GPD, Manual	1
22	080045	Fan Blade, 7"	1
23	054011	Wire Tie, Plastic, 4"	Ref.
24	080108	Sleeve, Fiberglass, 1/2"	.292'
25	012000	Screw, Machine, Plated, #10-24 X 1"	1
26	026000	Nut, Kep, Plated, #10-24	2
27	500263	Cooling Coil Assembly, 8GPD Manual	1
28	030013	Nut, Plated, 3/8" Compression	1
29	030012	Ferrule, 3/8"	1
30	500140	Divider, 8GPD, Manual	1
31	018023	Washer, Flat, 5/8" X 1-1/2" X 20ga, SS	1



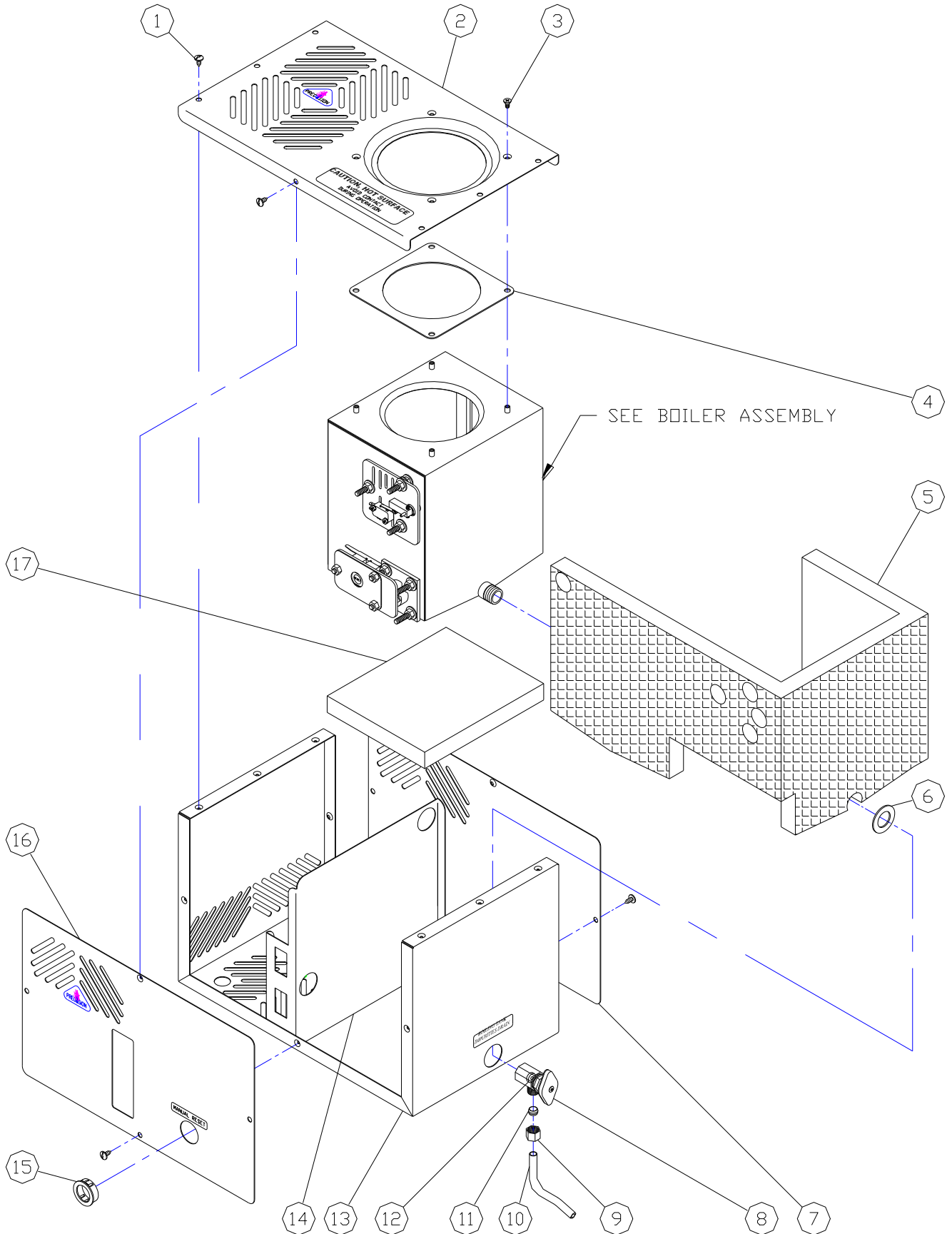
# 094079, Exploded Parts List Distiller Body Assembly, 8GPD, Manual



## 094078, Exploded Parts List Distiller Head Assembly, 8GPD, Manual

<b>Item #</b>	<b>Part #</b>	<b>Description</b>	<b>Qty</b>
1	010000	Screw, Sheet Metal, SS, #10-12 X 1/2"	14
2	500444	Cover, Top, PWS, 8-M, S14	1
3	012008	Screw, Mach, #10-24 X 3/8", Oval Head	4
4	500111	Gasket, Lid	1
5	500437	Insulation, 8GPD, Man, S14, Sides	1
6	018002	Washer, Flat, 7/8" X 1-1/2" X 20ga, SS	1
7	500446	Cover, Rear, PWS, 8-M, S14	1
8	400000	Drain Valve, Impurities (includes nut and ferrule)	1
9	036013	Nut, Compression, 3/8" Plated	1
10	500212	Tube, Manual Drain	1
11	030012	Ferrule, 3/8"	1
12	080065	Washer, Impurities Drain Valve	1
13	500443	Body, 8GPD, Manual, S14	1
14	500140	Divider, 8GPD Manual	1
15	054004	Bushing, Snap, 1.25"	1
16	500445	Cover, Front, PWS, 8-M, S14	1
17	500438	Insulation, 8GPD, Man, S14, Bottom	1

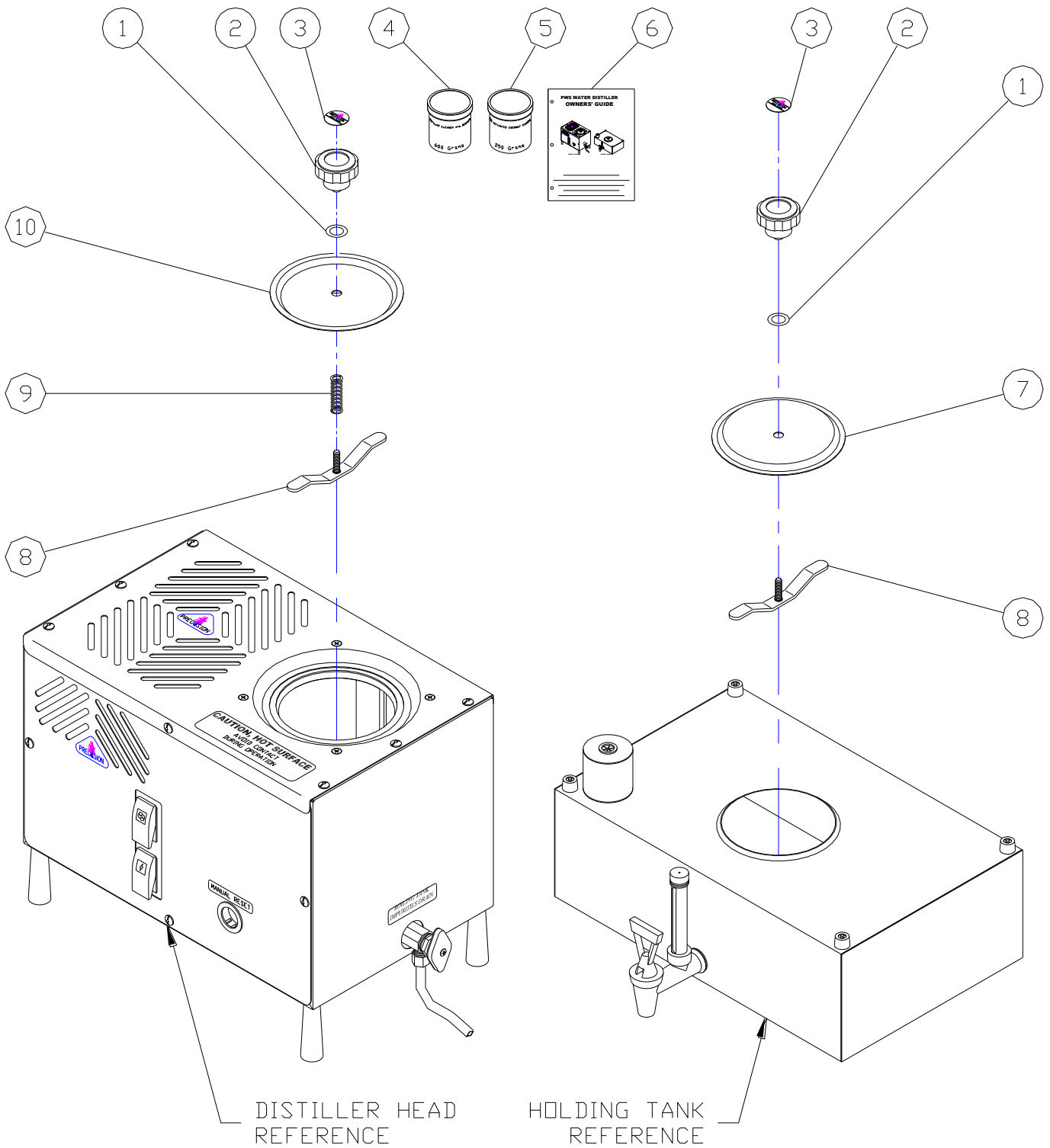
# 094078, Exploded Parts List Distiller Head Assembly, 8GPD, Manual



**094123, Exploded Parts List**  
**Boiling Tank & Holding Tank Lids Assemblies, 8-M**

<b>Item #</b>	<b>Part #</b>	<b>Description</b>	<b>Qty</b>
1	080064	O-ring	1
2	080053	Knob, Black, Phenolic, ¼-20	1
3	080106	Inlay, PWS	1
4	500102	Descaler, PWS, 600g Jar Of	Ref.
	500103	Descaler, PWS, 1.6kg Jar Of	Ref.
5	500106	Charcoal, PWS, 250g Jar Of	Ref.
	500107	Charcoal, PWS, 600g Jar Of	Ref.
6	097126	Owners Guide, PWS 8-M Distiller	1
7	500119	Lid, Holding Tank, SS, 5.5"	1
8	500115	TeeBar, 5.5", Studded	1
9	080058	Spring, Boiling Tank Lid, SS	1
10	500118	Lid, Boiling Tank, SS, 5.5"	1

# 094123, Exploded Parts List Boiling Tank & Holding Tank Lids Assemblies, 8-M



BOILING TANK LID ASSEMBLY  
(PART # 500184)

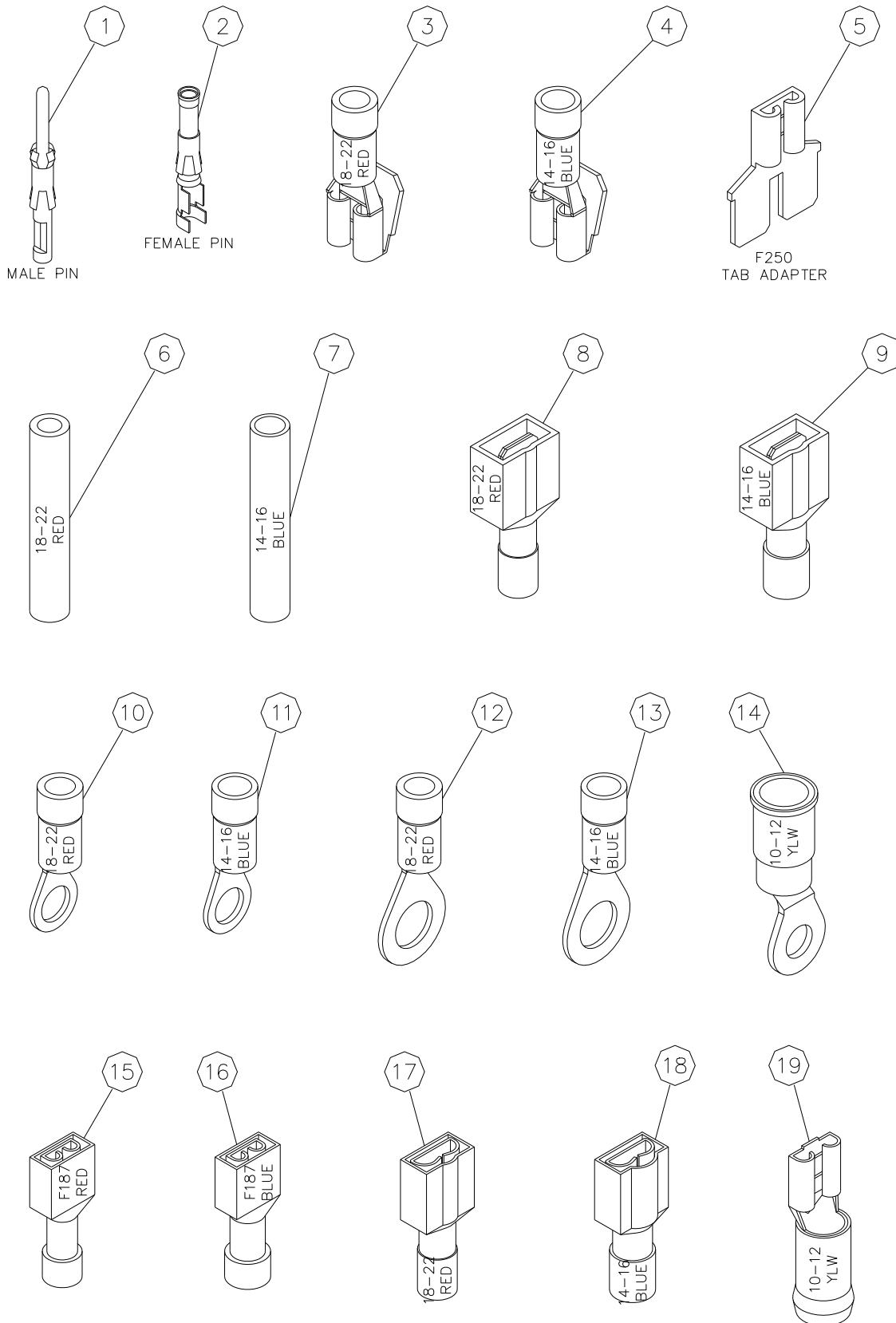
HOLDING TANK LID ASSEMBLY  
(PART # 500248)

## 094109, Exploded Parts List Electrical Terminals

Item #	Part #	Description
1	060016	Pin, Male, Circular
2	060017	Pin, Female, Circular
3	066014	Receptacle, Pigg, F250, #18-22 AWG, Red
4	066004	Receptacle, Pigg, F250, #14-16 AWG, Blue
5	066013	Tab Adapter, F250
6	066006	Butt Splice, #18-22 AWG, Red
7	066005	Butt Splice, #14-16 AWG, Blue
8	066012	Tab, 250, #18-22 AWG, Red
9	066011	Tab, 250, #14-16 AWG, Blue
10	066008	Ring, #10, #18-22 AWG, Red
11	066007	Ring, #10, #14-16 AWG, Blue
12	066010	Ring, ¼", #18-22 AWG, Red
13	066009	Ring, ¼", #14-16 AWG, Blue
14	066016	Ring, #10, #10-12 AWG, Yellow
15	066003	Receptacle, F187, #18-22 AWG, Red
16	066001	Receptacle, F187, #14-16 AWG, Blue
17	066002	Receptacle, F250, #18-22 AWG, Red
18	066000	Receptacle, F250, #14-16 AWG, Blue
19	066015	Receptacle, F250, #10-12 AWG, Yellow

# 094109, Exploded Parts List

## Electrical Terminals



## Wiring List, (8GPD MANUAL), PART # 500246-

								SERIES 14
No.	Part#	Color	Ga	Length	From Conn.	ToConn.	From Location	To Location
1	500287	GRN	16	3"	#10RING#14-#16	POWER CORD	GROUND	POWER CORD
2	500287	BLK	16	14"	F250 #14-#16	POWER CORD	POWER SWITCH #2	POWER CORD
3	500287	WHT	16	16"	#10RING#14-#16	POWER CORD	RESET SWITCH #2	POWER CORD
4	500395	BLK	18	8"	F250#18-#22&PIGG#18-#22	FAN MOTOR (ORG/BLU)	FAN SWITCH #2	FAN MOTOR
5	500395	BLK	18	12"	2 (#10RING#18-22)	FAN MOTOR (YLW/WHT)	RESET SWITCH #4	FAN MOTOR
6	095023	ORG	16	9"	F187 #14-#16	#10 RING #14-#16	MICROSWITCH "NC"	HEATING ELEMENT B
7	095024	YLW	16	6"	#10RING#14-#16	#10 RING #14-#16	RESET SWITCH #3	HEATING ELEMENT A
8	095025	WHT	16	12"	F250 #14-#16	#10 RING #14-#16	FAN SWITCH #3	HEATING ELEMENT B
9	095026	RED	16	7"	F187 #14-#16	#10 RING #14-#16	MICROSWITCH "COM"	RESET SWITCH #1
10	095027	ORG	16	8"	F250 #14-#16	#10 RING #14-#16	POWER SWITCH #3	RESET SWITCH #4
11	095028	GRN	16	10"	F250 #14-#16	#10 RING #14-#16	POWER SWITCH #8	RESET SWITCH #1
12	095029	BRN	16	9"	F250 #14-#16	#10 RING #14-#16	FAN SWITCH #6	RESET SWITCH #4
13	095010	WHT	16	3"	PIGG #14-#16	F250#14-#16	FAN SWITCH #2	FAN SWITCH #7
14	095010	WHT	16	3"	PIGG #14-#16	F250#14-#16	POWER SWITCH #3	POWER SWITCH #6
15	095031	BRN	16	13"	F250 #14-#16	#10 RING #14-#16	POWER SWITCH #7	HEATING ELEMENT B
16	095032	BLU	16	10"	#10RING#14-#16	F250 #14-#16	RESET SWITCH #3	FAN SWITCH #8



# 500246, Exploded Parts List Wiring Diagram, 8GPD, Manual

