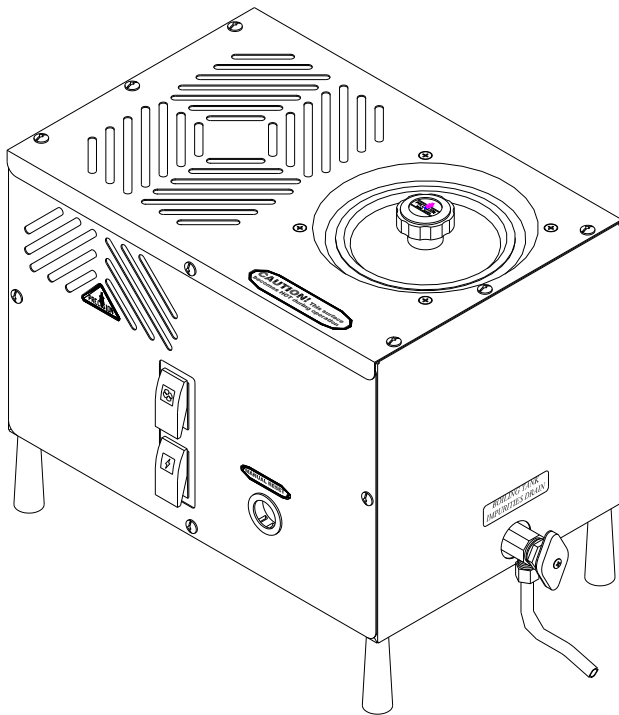


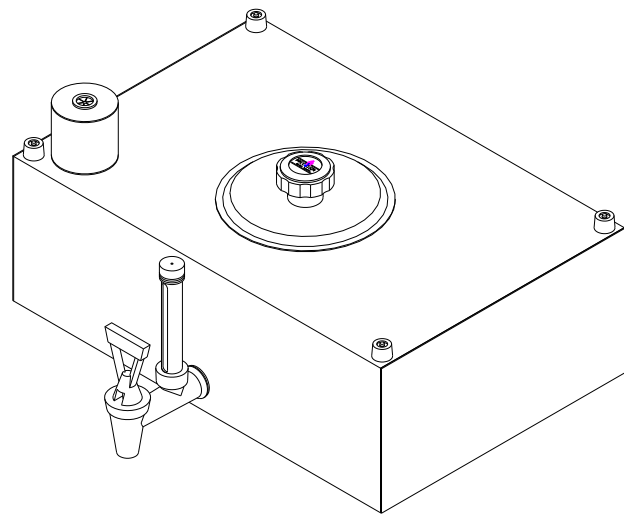


REPLACEMENT PARTS MANUAL

FOR MODEL: PWS 8-M(120VAC), PWS 8-M(240VAC) & PWS 8-MST
PART # 500000 500012 500001
SERIES 0012 0013 0001



MODEL PWS 8M



MODEL PWS 8-MST

PRECISION WATER SYSTEMS WATER DISTILLER

MANUFACTURED BY:
PRECISION DESIGN & MANUFACTURING INC.
10331 - 105th STREET
WESTLOCK, ALBERTA, CANADA, T7P 2H7
e-mail: info@precisioncanada.com
PHONE (780) 349-4933
FAX (780) 349-4957

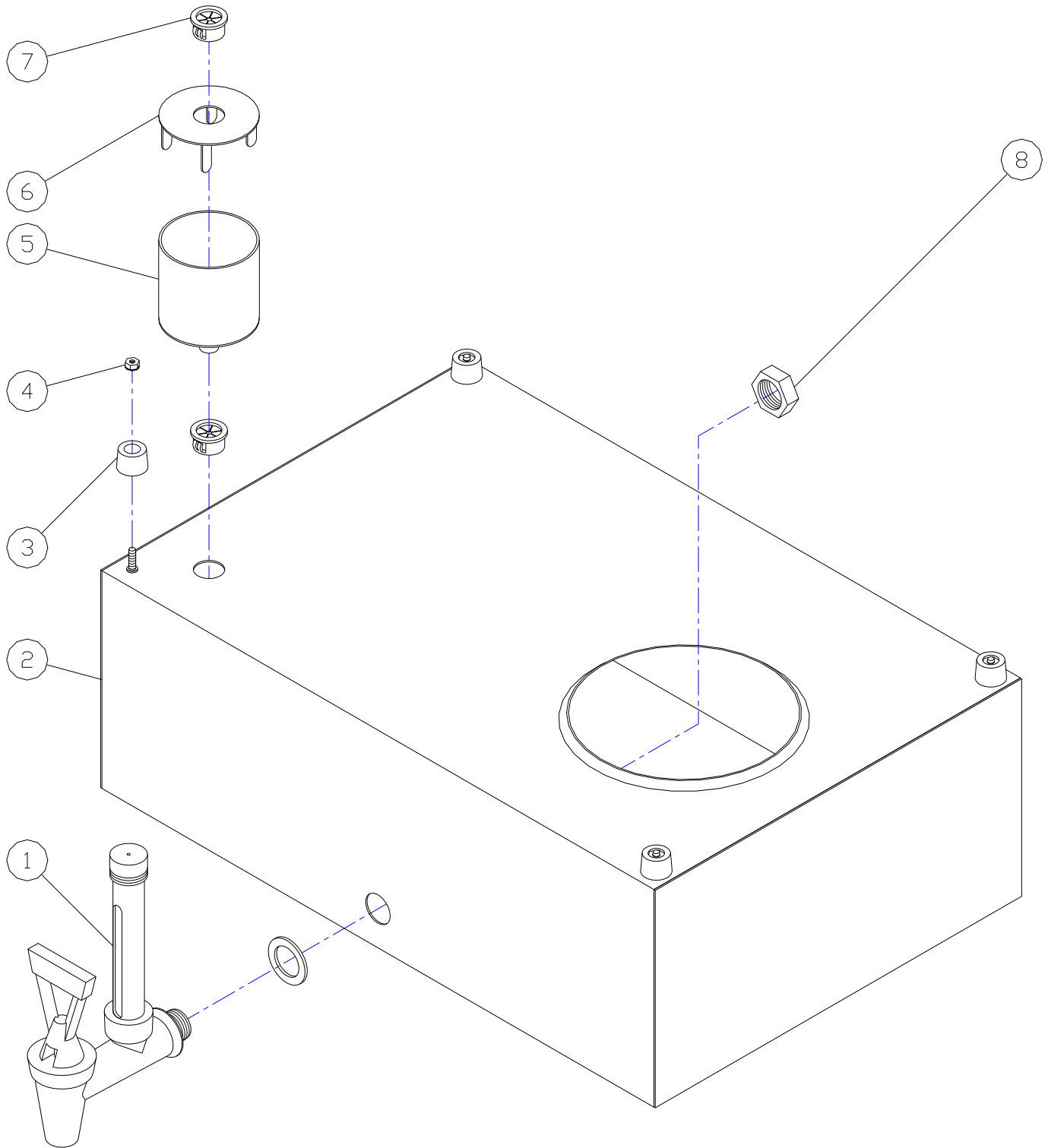
TABLE OF CONTENTS

	<u>Page</u>
1. 094080 Holding Tank Assembly, 8-3MST	4 & 5
2. 094111 Boiler Assembly, 8GPD Manual	6 & 7
3. 094079 Distiller Body Assembly, 8GPD Manual	8 & 9
4. 094078 Distiller Head Assembly, 8GPD Manual	10 & 11
5. 094123 Boiling Tank & Holding Tank Lids Assemblies, PWS	12 & 13
6. 094109 Electrical Terminals	14 & 15
7. 500246 Wiring Schematic	16 & 17

094080, Exploded Parts List Holding Tank Assembly, 8-3MST

Item #	<u>Part #</u>	<u>Description</u>	<u>Qty</u>
1	080078	Valve, HT, 4" (includes nut & washer)	1
2	500196	Holding Tank WA, 3 Gallon	1
3	054019	Foot, 5/8" Dia, x 7/16" High, Blk	4
4	026002	Nut, Kep, Pltd, #6-32	4
5	500258	Filter Housing, WA, 8-M	1
6	500260	Filter Cap, 2", WA	1
7	054005	Bushing, Wire, 5/8'	2
8	080132	Nut, Jam 3/8, Blk	1

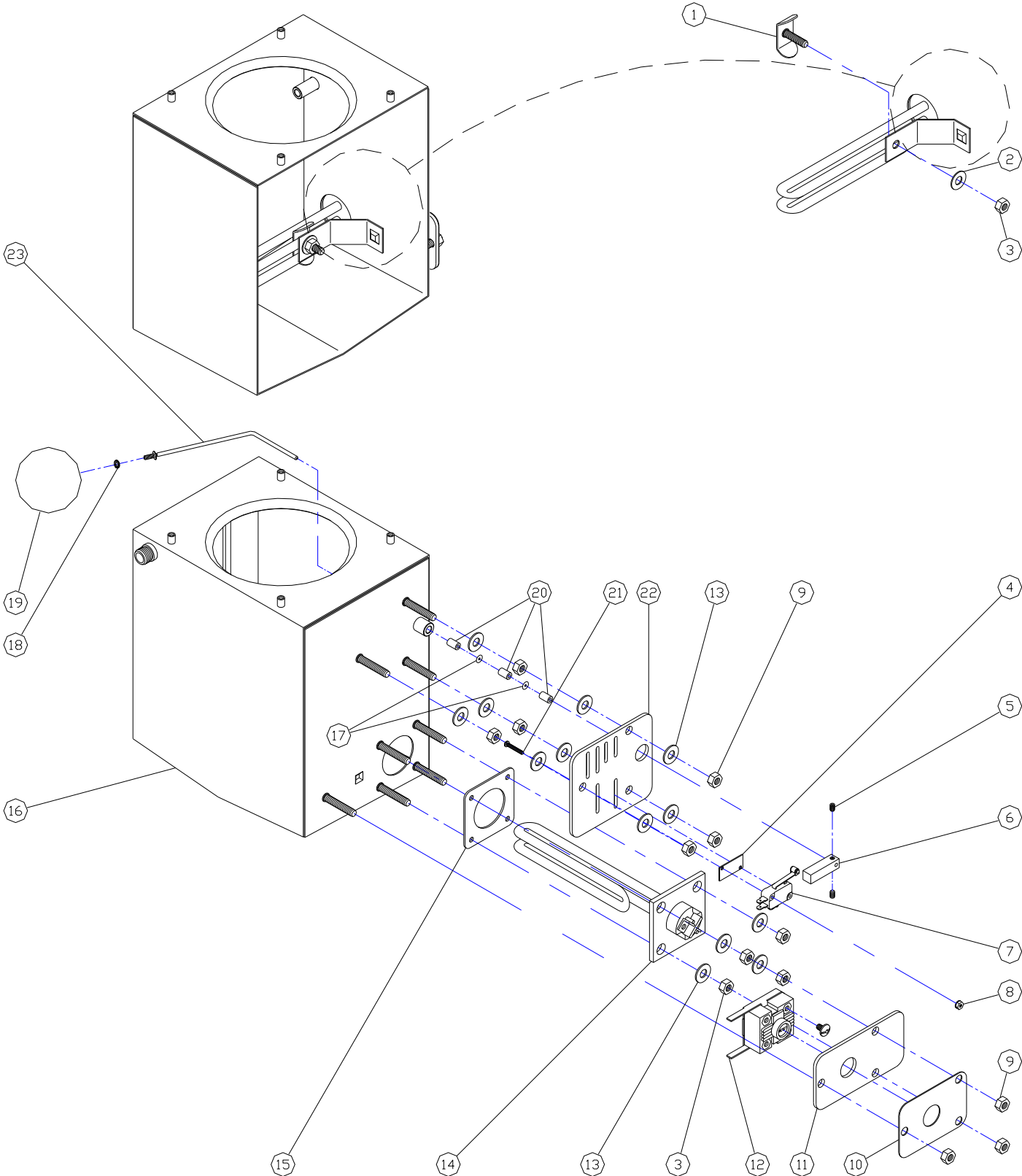
094080, Exploded Parts List Holding Tank Assembly, 8-3MST



094111, Exploded Parts List Boiler Assembly, 8GPD Manual

Item #	Part #	Description	Qty
1	500182	Clip, Heater, Studded	1
2	018009	Washer, 5/16" x 1-1/4" x 18ga SS	1
3	025000	Nut, Hex, 1/4" SS	5
4	500289	Shim, Microswitch	1
5	016014	Set Screw, Black, #6-32 x .25", Cup Pt.	2
6	500278	Bar Actuator, Boiler Float	1
7	060058	Microswitch, Short Roller Arm	1
8	026003	Nut, Kep, #4-40	2
9	025002	Nut, Hex, 1/4" Plated	9
10	500153	Cover, Reset, SS	1
11	400010	Reset Plate, Lexan	1
12	060000	Switch, Thermo Reset	1
13	018004	Washer, 5/16" x 11/16" x 20ga SS	11
14	060001	Heating Element, 120V, 1100W	1
	060002	Heating Element, 240V, 1100W	1
15	500100	Gasket, Heater	1
16	500273	Boiler WA, 8GPD Manual	1
17	080128	O-Ring, 1/16" x 1/8" x 1/4"	2
18	020002	Washer, Lock, SS, M3.5, External Tooth	1
19	080162	Float Ball, SS, 2-1/4" Round, #6-32	1
20	080127	Bushing, Nylon	3
21	012003	Screw, Machine, Plated, #4-40 x 3/4"	2
22	500266	Plate, Microswitch	1
23	500400	Rod WA, Boiler Float, Manual	1

094111, Exploded Parts List Boiler Assembly, PWS, 8GPD Manual

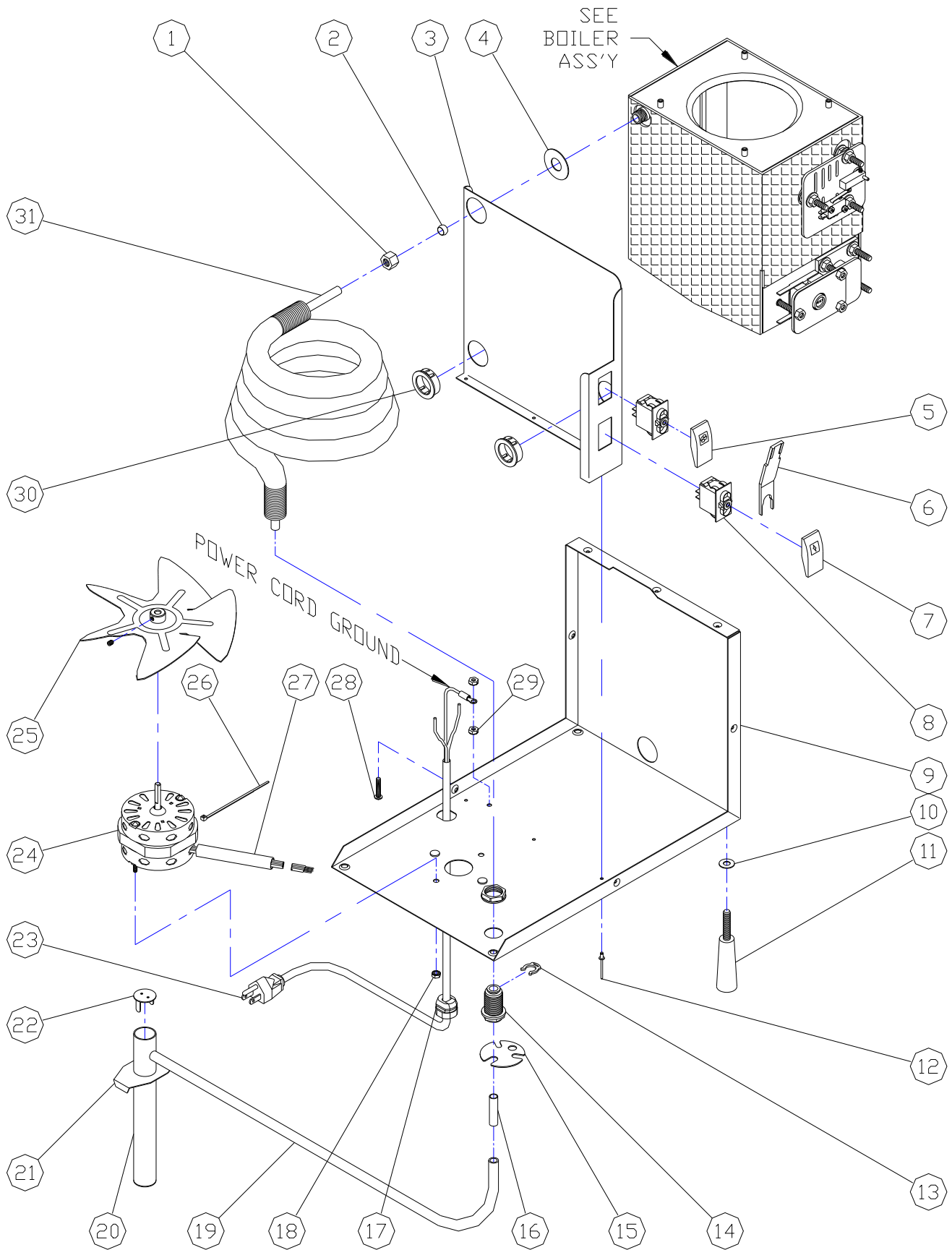


094079, Exploded Parts List Distiller Body Assembly, 8GPD Manual

Item #	Part #	Description	Qty
1	030013	Nut, Plated, 3/8" Compression	1
2	030012	Ferrule, 3/8"	1
3	500140	Divider, 8GPD Manual	1
4	018023	Washer, Flat, 5/8" X 1-1/2", 20ga. SS	1
5	060030	Actuator, Grey, Amber-Fan	1
6	080134	Tool, Actuator Removal	1
7	060029	Actuator, Grey, Red-Power	1
8	060028	Switch Base, 120/240V SPST	2
9	500139	Body, 8GPD Manual	1
10	018004	Washer, 5/16" x 11/16" x 20ga SS	4
11	054009	Leg, 2-1/2", Plastic Tapered, 5/16	4
12	016004	Rivet, Aluminum, 1/8" x 5/16"	4
13	034021	Locking Clip, 3/8" JG	1
14	034011	Bulkhead, 3/8" JG	1
15	500282	Plate, JG Removal Tool	1
16	500202	Tube, 3/8"OD x 1-1/2"	1
17	054002	Strain Relief, 7K-2	1
18	026001	Nut, Kep, Plated, #8-32	2
19	052002	Tubing, 5/16" x 7/16"	1
20	500211	Post Filter	1
21	500198	Clip, Post Filter	1
22	500262	Post Filter Cap	1
23	500287	Power Cord Assembly, 16-3NA, 8GPD Manual	1
24	500395	Motor Assembly, 120V, 12GPD, Manual	1
25	080045	Fan Blade, 7"	1
26	054011	Wire Tie, Plastic, 4"	Ref.
27	080108	Sleeve, Fiberglass, 1/2"	.292'
28	012000	Screw, Machine, Plated, #10-24 x 1"	1
29	026000	Nut, Kep, Plated., #10-24	2
30	054004	Bushing, Snap, 1-1/4"	2
31	500263	Cooling Coil Assembly, 8GPD Manual	1

094079, Exploded Parts List

Distiller Body Assembly, 8GPD Manual

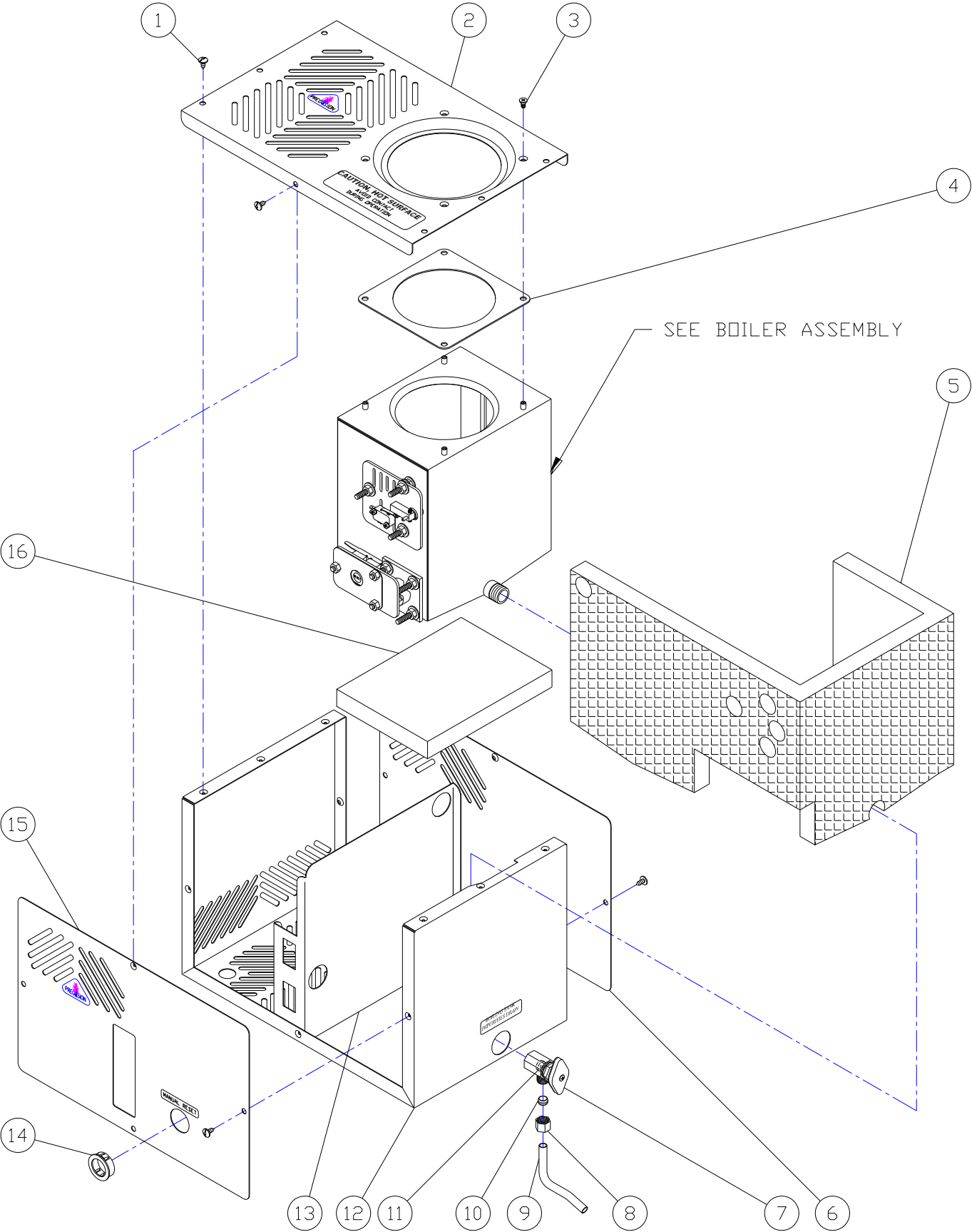


094078, Exploded Parts List Distiller Head Assembly, 8GPD Manual

Item #	Part #	Description	Qty
1	010000	Screw, ShtMtl, #10-12 x ½", SS	14
2	500141	Cover, Top, 8GPD Manual	1
3	012008	Screw, Mach, #10-24x3/8", OvalHd	4
4	500111	Gasket, Lid	1
5	500214	Insulation, 8GPD Man. Boil. Sides	1
6	500143	Cover, Rear, 8GPD Manual	1
7	400000	Drain Valve, Impurities (includes nut and ferrule)	1
8	036013	Nut, Compression, 3/8" Pltd	1
9	500212	Tube, Manual Drain	1
10	030012	Ferrule, 3/8"	1
11	080065	Washer, Impurities Drain Valve	1
12	500139	Body, 8GPD Manual	1
13	500140	Divider, 8GPD Manual	1
14	054004	Bushing, Snap, 1.25"	1
15	500142	Cover, Front, 8GPD Manual	1
16	500215	Insulation, 8GPD Man. Boil. Bot.	1

094078, Exploded Parts List

Distiller Head Assembly, 8GPD Manual

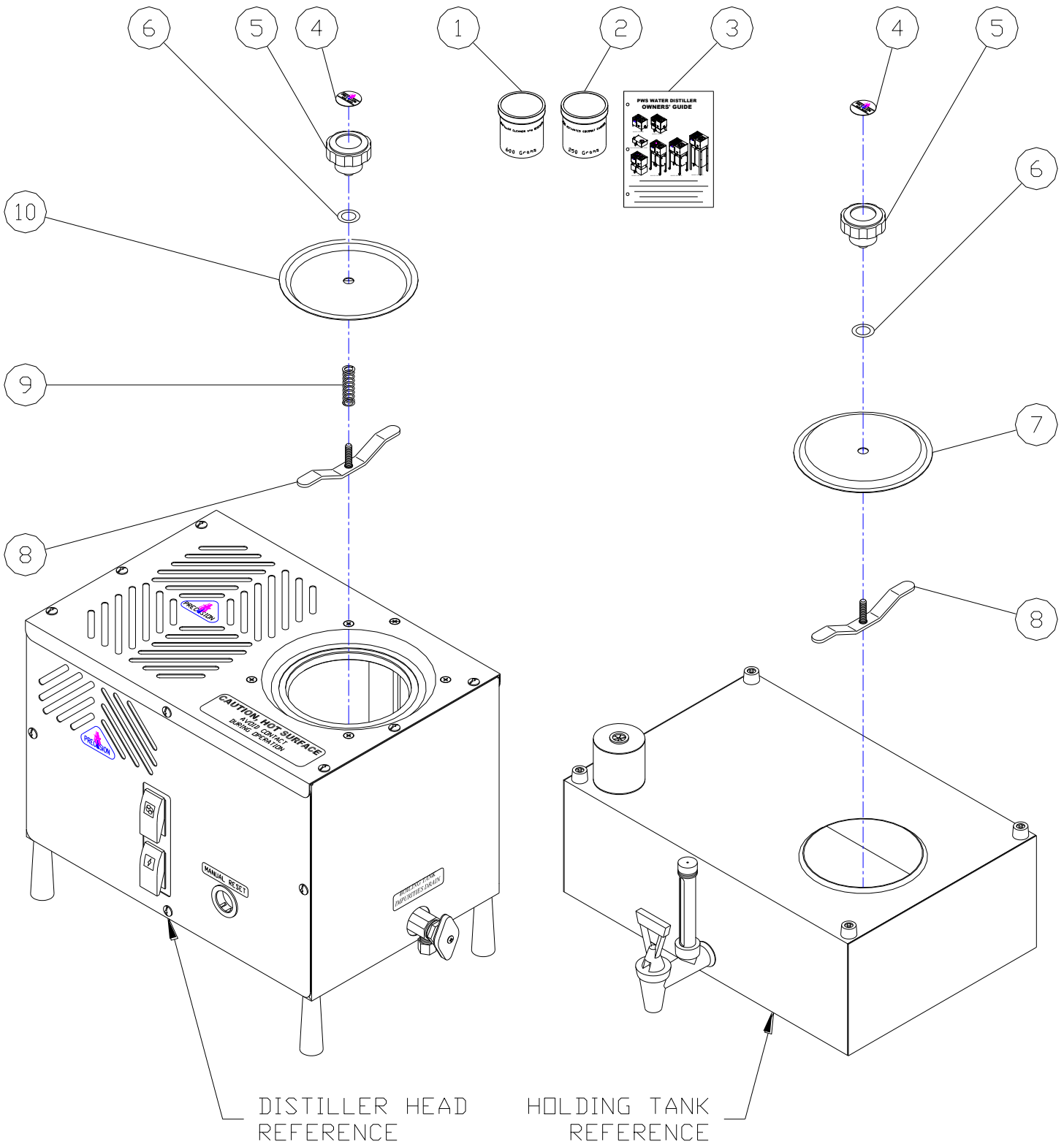


094123, Exploded Parts List
Boiling Tank & Holding Tank Lids Assemblies, 8-M

Item #	Part #	Description	Qty
1	500102	Descaler, PWS, 600g Jar Of	1
	500103	Descaler, PWS, 1.6kg Jar Of	Ref.
2	500106	Charcoal, PWS, 250g Jar Of	1
	500107	Charcoal, PWS, 600g Jar Of	Ref.
3	097007	Owners Guide, PWS 8-M Distiller	1
4	080106	Inlay, PWS	1
5	080053	Knob, Black, Phenolic, ¼-20	1
6	080064	O-ring	1
7	500119	Lid, HT, SS, 5.5"	1
8	500115	TeeBar, 5.5", Studded	1
9	080058	Spring, BT Lid, SS	1
10	500118	Lid, BT, SS, 5.5"	1

094123, Exploded Parts List

Boiling Tank & Holding Tank Lids Assemblies, 8M



BOILING TANK LID ASSEMBLY
(PART # 500184)

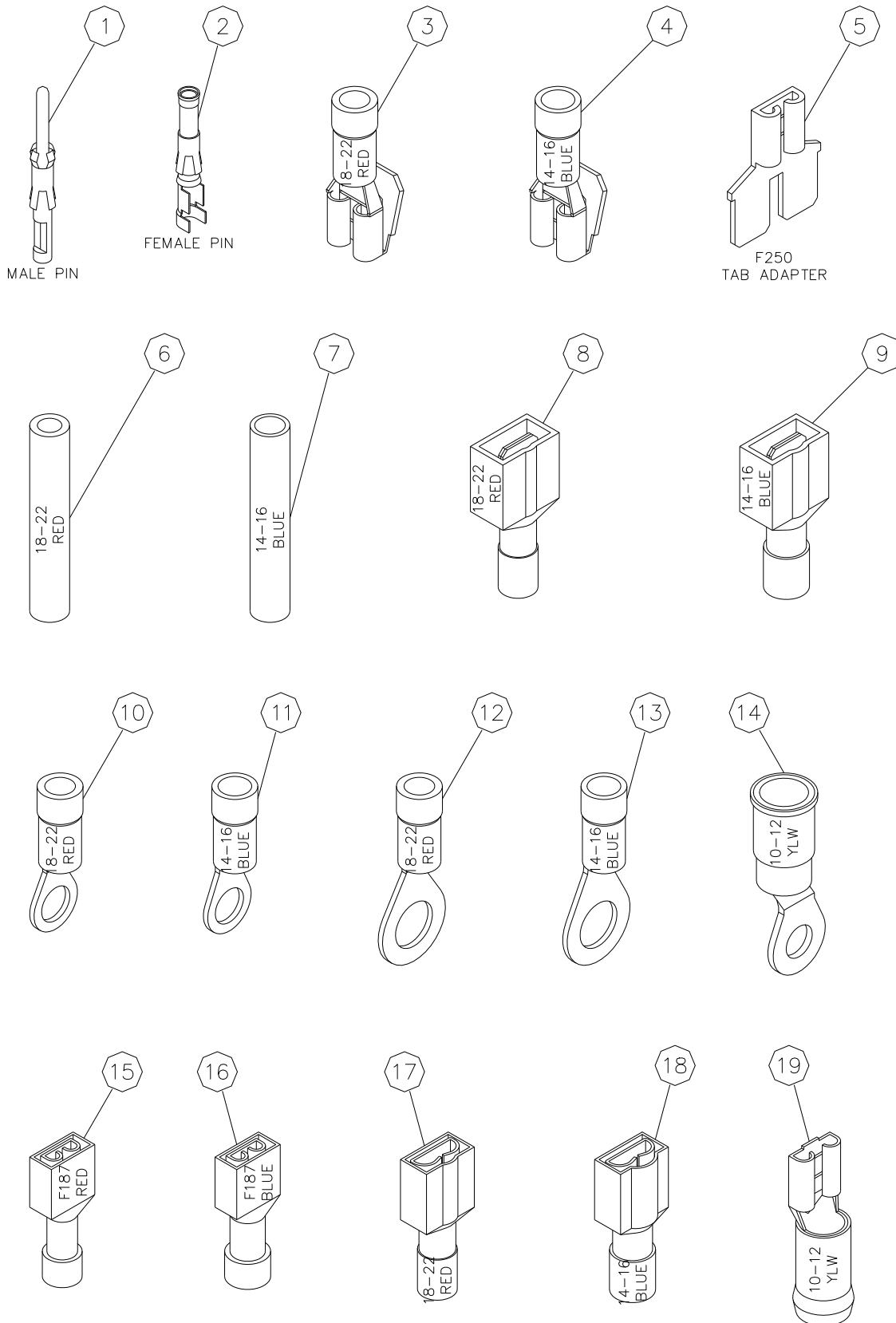
HOLDING TANK LID ASSEMBLY
(PART # 500248)

094109, Exploded Parts List Electrical Terminals

Item #	Part #	Description
1	060016	Pin, Male, Circular
2	060017	Pin, Female, Circular
3	066014	Receptacle, Pigg, F250, #18-22 AWG, Red
4	066004	Receptacle, Pigg, F250, #14-16 AWG, Blue
5	066013	Tab Adapter, F250
6	066006	Butt Splice, #18-22 AWG, Red
7	066005	Butt Splice, #14-16 AWG, Blue
8	066012	Tab, 250, #18-22 AWG, Red
9	066011	Tab, 250, #14-16 AWG, Blue
10	066008	Ring, #10, #18-22 AWG, Red
11	066007	Ring, #10, #14-16 AWG, Blue
12	066010	Ring, 1/4", #18-22 AWG, Red
13	066009	Ring, 1/4", #14-16 AWG, Blue
14	066016	Ring, #10, #10-12 AWG, Yellow
15	066003	Receptacle, F187, #18-22 AWG, Red
16	066001	Receptacle, F187, #14-16 AWG, Blue
17	066002	Receptacle, F250, #18-22 AWG, Red
18	066000	Receptacle, F250, #14-16 AWG, Blue
19	066015	Receptacle, F250, #10-12 AWG, Yellow

094109, Exploded Parts List

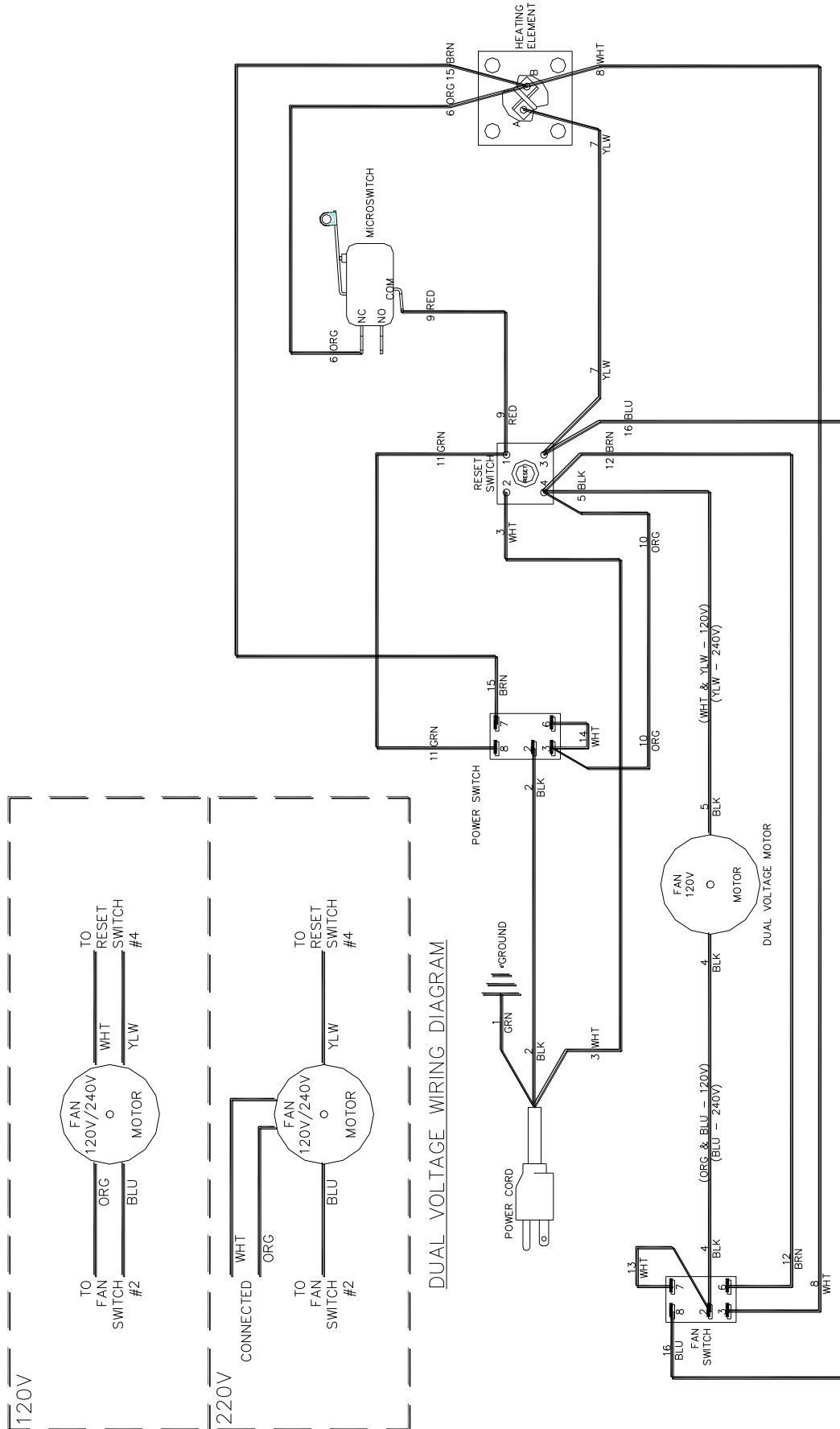
Electrical Terminals



Wiring List, Precision Pure 8-M(8GPD MANUAL), PART # 500246

No.	Part#	Color	Ga	Length	From Conn.	To Conn.	From Location	To Location
						(NO RELAY)		
1	500287	GRN	16	3"	#10RING#14-#16	POWER CORD	GROUND	POWER CORD
2	500287	BLK	16	14"	F250 #14-#16	POWER CORD	POWER SWITCH #2	POWER CORD
3	500287	WHT	16	16"	#10RING#14-#16	POWER CORD	RESET SWITCH #2	POWER CORD
4	500395	BLK	18	8"	F250#18-#22&PIGG#18-#22	FAN MOTOR (ORG/BLU)	FAN SWITCH #2	FAN MOTOR
5	500395	BLK	18	12"	2 (#10RING#18-22)	FAN MOTOR (YLW/WHT)	RESET SWITCH #4	FAN MOTOR
6	095023	ORG	16	8"	F187 #14-#16	#10 RING #14-#16	MICROSWITCH "NC"	HEATING ELEMENT B
7	095024	YLW	16	6"	#10RING#14-#16	#10 RING #14-#16	RESET SWITCH #3	HEATING ELEMENT A
8	095025	WHT	16	10"	F250 #14-#16	#10 RING #14-#16	FAN SWITCH #3	HEATING ELEMENT B
9	095026	RED	16	7"	F187 #14-#16	#10 RING #14-#16	MICROSWITCH "COM"	RESET SWITCH #1
10	095027	ORG	16	8"	F250 #14-#16	#10 RING #14-#16	POWER SWITCH #3	RESET SWITCH #4
11	095028	GRN	16	10"	F250 #14-#16	#10 RING #14-#16	POWER SWITCH #8	RESET SWITCH #1
12	095029	BRN	16	9"	F250 #14-#16	#10 RING #14-#16	FAN SWITCH #6	RESET SWITCH #4
13	095010	WHT	16	3"	PIGG #14-#16	F250#14-#16	FAN SWITCH #2	FAN SWITCH #7
14	095010	WHT	16	3"	PIGG #14-#16	F250#14-#16	POWER SWITCH #3	POWER SWITCH #6
15	095031	BRN	16	11"	F250 #14-#16	#10 RING #14-#16	POWER SWITCH #7	HEATING ELEMENT B
16	095032	BLU	16	10"	#10RING#14-#16	F250 #14-#16	RESET SWITCH #3	FAN SWITCH #8

500246, Exploded Parts List Wiring Diagram, PWS, 8GPD Manual



DUAL VOLTAGE WIRING DIAGRAM

